

User Manual

Manual de Usuario

Manuel de l'Utilisateur

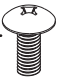

Customer Service  
US: 1-800-645-2986

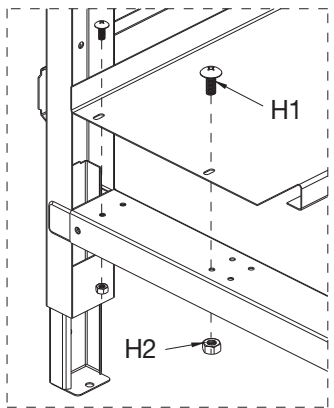
Servicio de atención al Cliente  
US: 1-800-645-2986

Service à la clientèle  
Canada: 888-645-2986

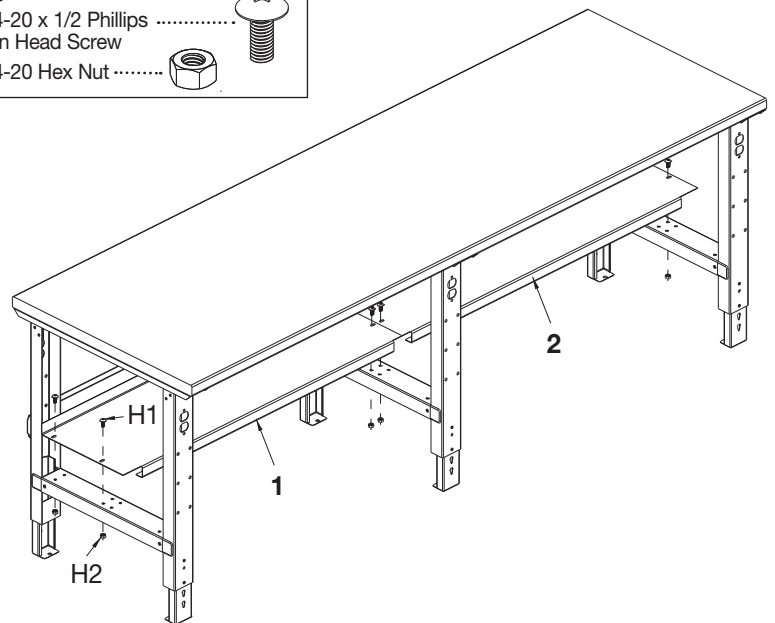
# Lower Shelf

Model 706CP38(96")  
706CP38BK(96")

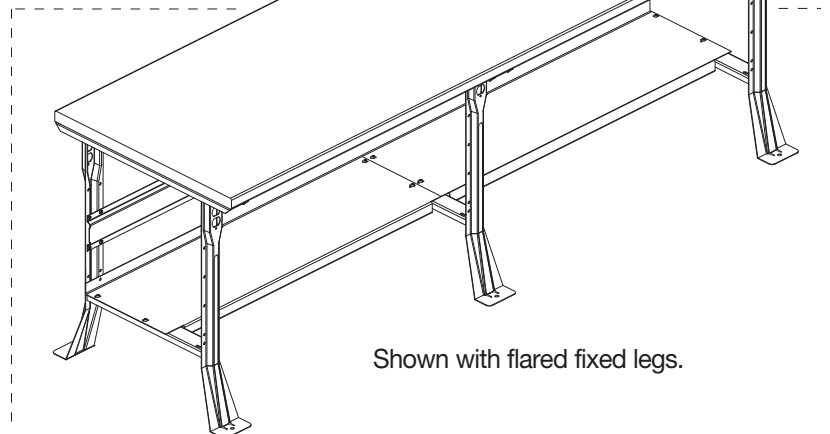
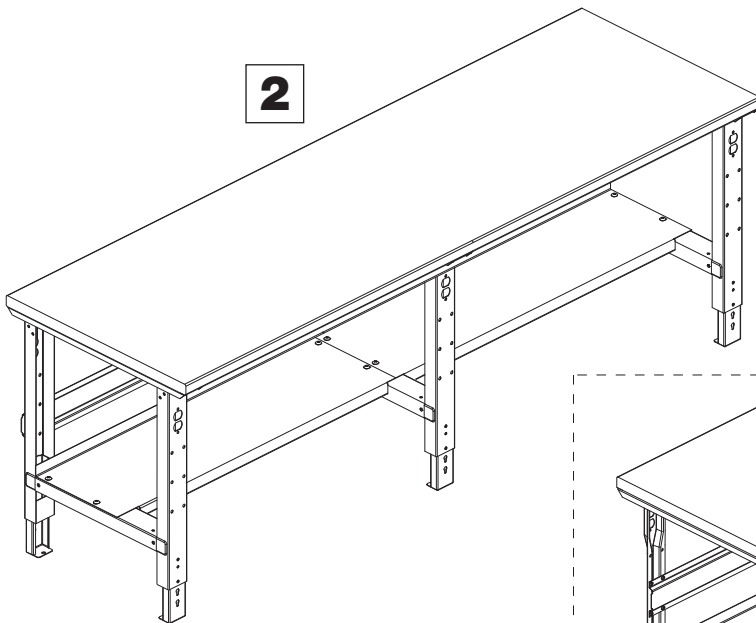
CONTENTS		
Ref.	Qty.	Description
1	1	Left Shelf
2	1	Right Shelf
H1	8	1/4-20 x 1/2 Phillips Pan Head Screw 
H2	8	1/4-20 Hex Nut 



**1**



**2**



Shown with flared fixed legs.

**1**