

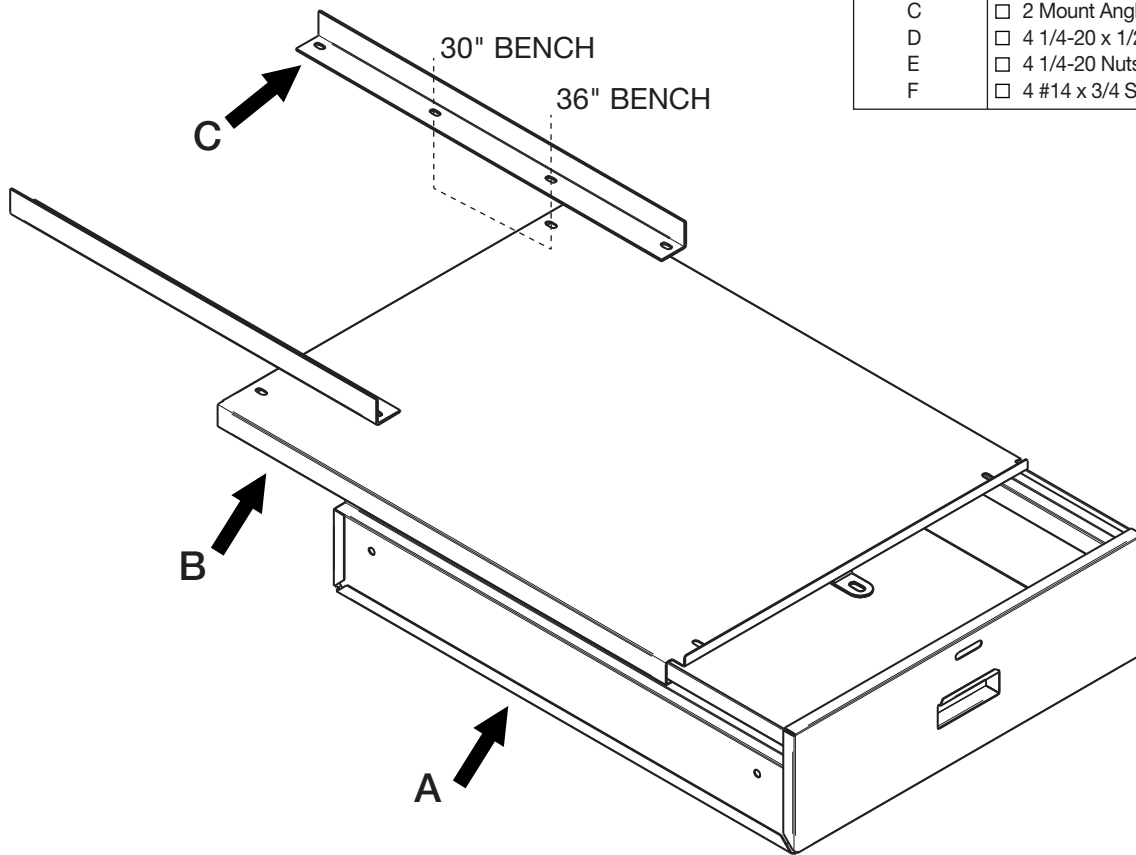
User Manual	Manual de Usuario	Manuel de l'Utilisateur
Customer Service US: 1-800-645-2986	Servicio de atención al Cliente US: 1-800-645-2986	Service à la clientèle Canada: 888-645-2986

Workbench Steel Drawer

Model 606964
606964BK

PARTS LIST

REFERENCE LETTER	QUANTITY AND DESCRIPTION
A	<input type="checkbox"/> 1 Drawer Body
B	<input type="checkbox"/> 1 Top
C	<input type="checkbox"/> 2 Mount Angles
D	<input type="checkbox"/> 4 1/4-20 x 1/2" Bot
E	<input type="checkbox"/> 4 1/4-20 Nuts
F	<input type="checkbox"/> 4 #14 x 3/4 SMS



INCLUDED IN THE ASSEMBLY ARE TWO ANGLES 19" LONG. THESE ANGLES ARE TO BE BOLTED TO REAR HOLES IN THE TOP COVER OF THE DRAWER ASSEMBLY.

SET ANGLES AT PROPER LENGTH SO THAT DRAWERS CAN BE ATTACHED TO 30" DEEP OR 36" DEEP EDSAL BENCH.

BOLT FRONT FACE OF DRAWER TOP ASSEMBLY TO MATCHING HOLES ON RETURN EDGE OF BENCH TOP AND BOLT END HOLES OF ANGLES TO MATCHING HOLES ON REAR FLANGE OF BENCH TOP.

WHERE DRAWERS ARE TO BE MOUNTED TO WOOD TOP - DISCARD ANGLE RUNNERS.

Workbench Steel Drawer

CONTENTS		
Ref.	Qty.	Description
1	1	Drawer Support
2	1	Drawer
H1	4	#14 Phillips Pan Head Screw 