

User Manual

Manual de Usuario

Manuel de l'Utilisateur

Customer Service
US: 1-800-645-2986

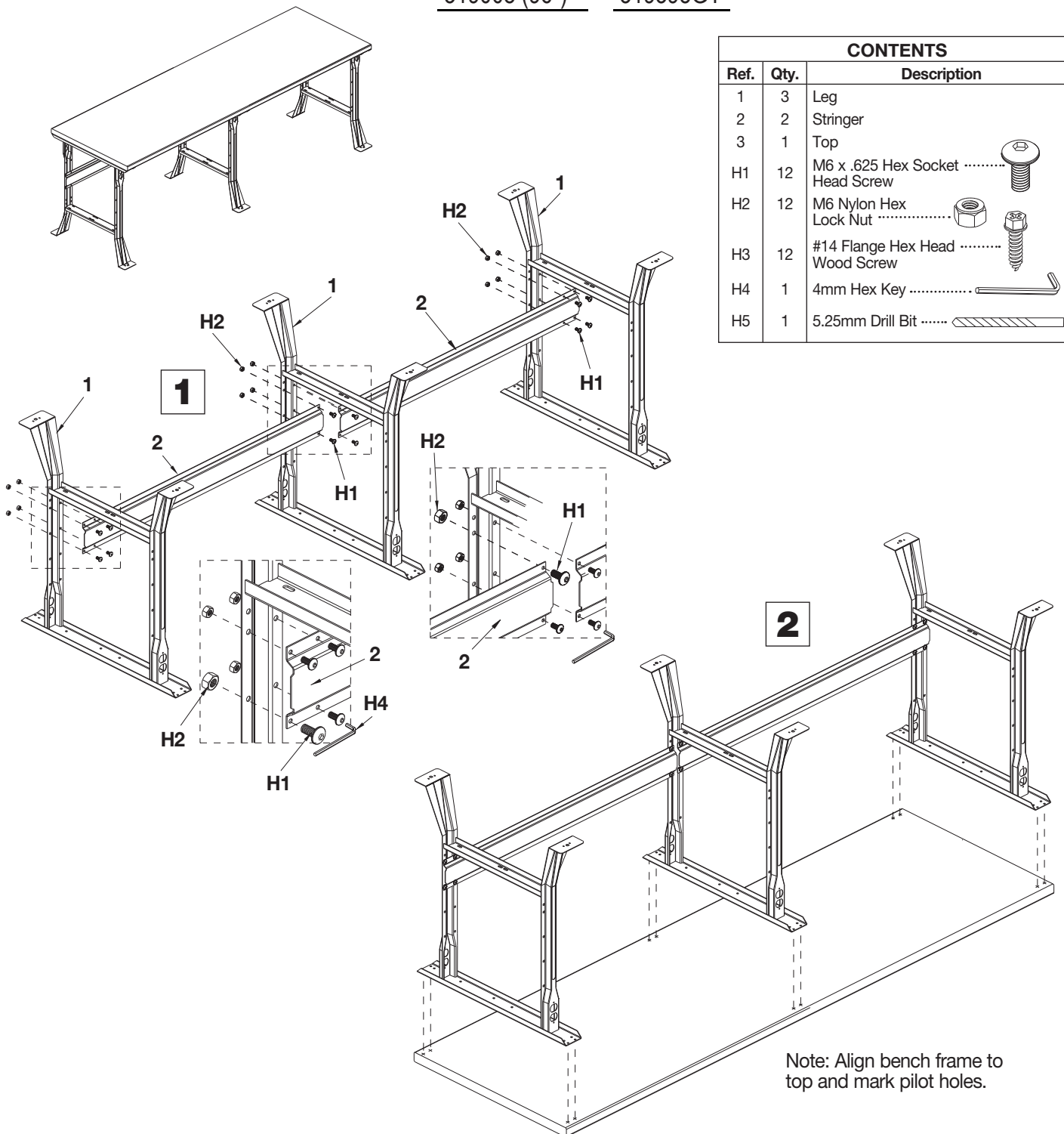
Servicio de atención al Cliente
US: 1-800-645-2986





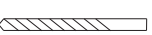
Service à la clientèle
Canada: 888-645-2986

Flared Fixed Leg Workbench Stringer Kit

Model 238CP48 (96") 319394GY

319008 (96") 319395GY



CONTENTS		
Ref.	Qty.	Description
1	3	Leg
2	2	Stringer
3	1	Top
H1	12	M6 x .625 Hex Socket Head Screw 
H2	12	M6 Nylon Hex Lock Nut 
H3	12	#14 Flange Hex Head Wood Screw 
H4	1	4mm Hex Key 
H5	1	5.25mm Drill Bit 

Flared Fixed Leg Workbench Stringer Kit

