

User Manual

Manual de Usuario

Manuel de l'Utilisateur

Customer Service
US: 1-800-645-2986

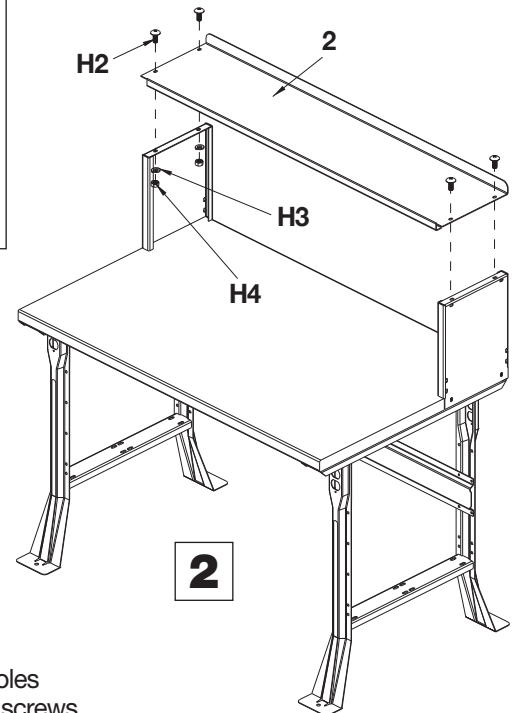
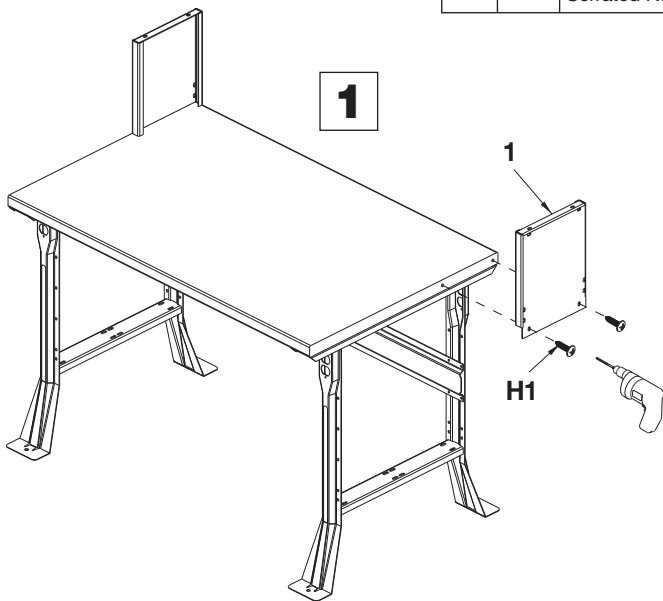
Servicio de atención al Cliente
US: 1-800-645-2986

Service à la clientèle
Canada: 888-645-2986

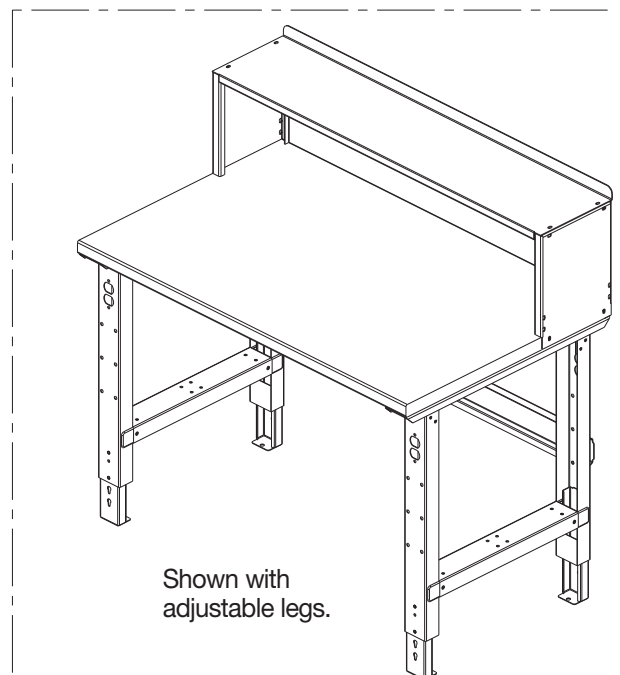
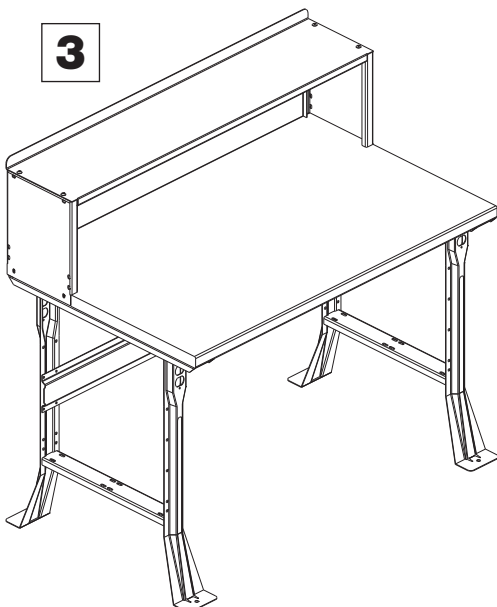
Workbench Riser

Model 254740(48"), 254740BK(48")
254742(60"), 254742BK(60")
254744(72"), 254744BK(72")
706438(96"), 706438BK(96")

CONTENTS		
Ref.	Qty.	Description
1	2	Riser Support
2	1	Riser Shelf
H1	4	#14 Flange Hex Head Wood Screw
H2	8	M6 x .625 Phillips Pan Head Screw
H3	8	Split Washer
H4	8	M6 Hex Head Serrated Nut



Note: Drill pilot holes before mounting screws.



Shown with adjustable legs.