

AIR CURTAIN



246610



246609



246608

READ & SAVE THESE INSTRUCTIONS

⚠ WARNING ⚠

• TO REDUCE THE RISK OF FIRE, ELECTRIC SHOCK, OR INJURY TO PERSONS, OBSERVE THE FOLLOWING:

- This product contains chemicals which are known to the state of California to cause birth defects or other reproductive harm.
- This product is not for use in explosive or combustible atmospheres.
- Read and follow all instructions before operating the product. Do not use the product if any part is damaged or missing.
- Do not alter the product's assembly.
- All electrical connections should be made by a qualified electrician. Installation work and electrical wiring must be done by qualified person(s) following all local electrical and safety codes in the United States and Canada, as well as the National Electrical Code (NEC) and the Occupational Safety and Health Act (OSHA) in the United States, and the Canadian Electric Code (CEC) in Canada.
- Use OSHA approved lock-out tag-out devices on power supply to prevent shock and/or electrocution.
- When cutting or drilling into wall or ceiling, do not damage electrical wiring and other hidden utilities.

- To reduce the risk of fire or electrical shock, do not expose to water or rain.
- To reduce the risk of fire or electrical shock, do not use this product with any solid state speed control device.
- To reduce the risk of fire or electrical shock, do not use an extension cord, unit is intended to be permanently hard wired to properly rated electrical service outlet (120V 60Hz).
- To reduce the risk of injury to persons, install product at least 7 feet (2.1m) above the floor (8 feet in Canada).
- The product frame and motor must be electrically grounded to a suitable electrical ground, such as a grounded water pipe or ground wire system.
- This has a single speed motor which is equipped with a thermo – protector and will automatically de-energize the product if it overheats for any reason.

RULES FOR SAFE OPERATION:

1. Never insert fingers or any other objects through the grill guard when product is in operation.
2. If the power supply cord is damaged, contact your local service centre or a qualified electrician to install an appropriate replacement cord to prevent any injury or damage.

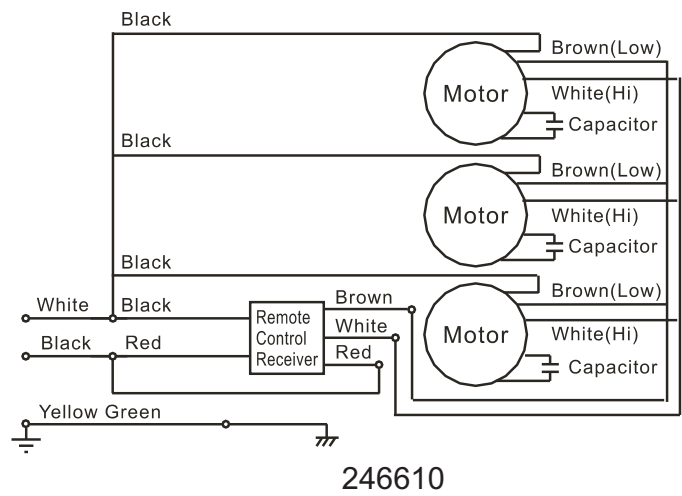
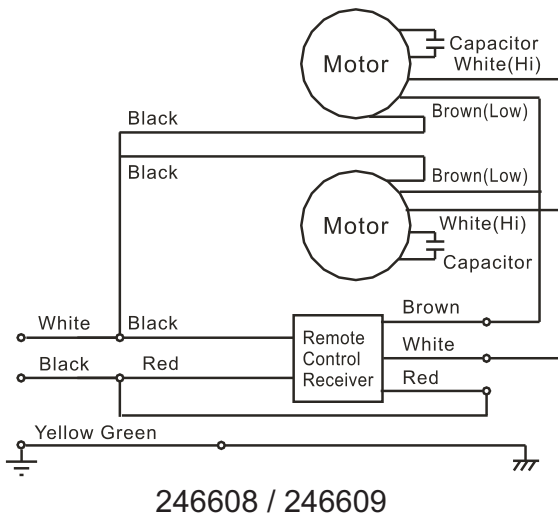
3. Disconnect the product from its power source when removing guards for cleaning.
4. Do not use the product in windows. Rain and moisture may create electrical hazard.
5. Do not place the product near an open flame, cooking or heating appliance, or hot surface.
6. This product is for indoor dry applications.
7. This product should not be operated outside.
8. Periodically clean the propeller, guard, motor, and louver of any accumulated dirt.
9. This appliance is not intended for use by persons (including children) with reduced physical, sensory or mental capabilities, or lack of experience and knowledge, unless they have been given supervision or instruction concerning use of the appliance by a person responsible for their safety.
10. Children should be supervised to ensure that they do not play with the appliance.

AIR CURTAIN

1. SPECIFICATION

MODEL	SIZE	LOW				HIGH			
		Current	Power	Velocity	Noise	Current	Power	Velocity	Noise
	Inch	A	W	m/s	dB	A	W	m/s	dB
246608	36	2.10	255	16	56	2.85	345	20	59
246609	48	2.65	320	16	56	3.50	425	20	59
246610	60	3.60	440	16	56	4.80	575	20	59

2. WIRING DIAGRAM



3. INSTALLATION DIMENSIONS (inch)

	<table border="1"> <thead> <tr> <th>MODEL</th> <th>A</th> <th>B</th> <th>C</th> <th>D</th> <th>E</th> <th>F</th> <th>G</th> </tr> </thead> <tbody> <tr> <td>246608</td> <td>36</td> <td>2</td> <td>16</td> <td>4 $\frac{1}{3}$</td> <td>10</td> <td>8</td> <td>8 $\frac{5}{8}$</td> </tr> <tr> <td>246609</td> <td>48</td> <td>8</td> <td>16</td> <td>4 $\frac{1}{3}$</td> <td>10</td> <td>8</td> <td>8 $\frac{5}{8}$</td> </tr> <tr> <td>246610</td> <td>60</td> <td>14</td> <td>16</td> <td>4 $\frac{1}{3}$</td> <td>10</td> <td>8</td> <td>8 $\frac{5}{8}$</td> </tr> </tbody> </table>	MODEL	A	B	C	D	E	F	G	246608	36	2	16	4 $\frac{1}{3}$	10	8	8 $\frac{5}{8}$	246609	48	8	16	4 $\frac{1}{3}$	10	8	8 $\frac{5}{8}$	246610	60	14	16	4 $\frac{1}{3}$	10	8	8 $\frac{5}{8}$
MODEL	A	B	C	D	E	F	G																										
246608	36	2	16	4 $\frac{1}{3}$	10	8	8 $\frac{5}{8}$																										
246609	48	8	16	4 $\frac{1}{3}$	10	8	8 $\frac{5}{8}$																										
246610	60	14	16	4 $\frac{1}{3}$	10	8	8 $\frac{5}{8}$																										

AIR CURTAIN

4. INSTALLATION METHOD

⚠ WARNING

- Installation and electrical connection must be performed by a qualified technician.

1) Accessories

6 sets of (M8x60L) Fastening bolts, Washer, Spring washer, and (M8) Nut.

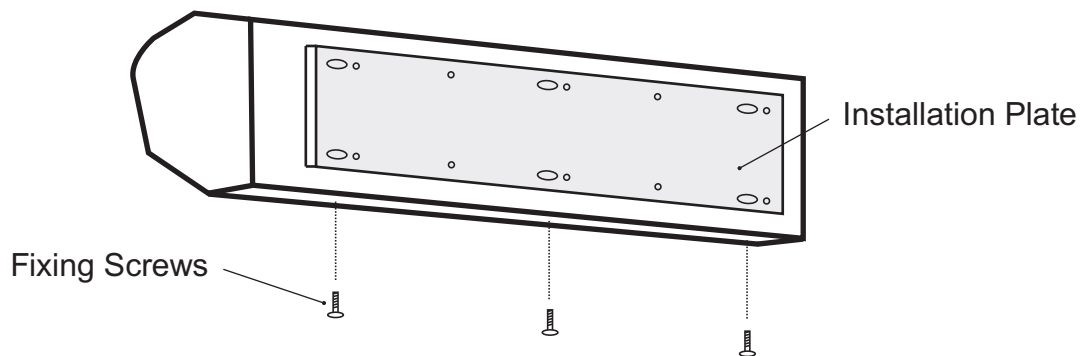
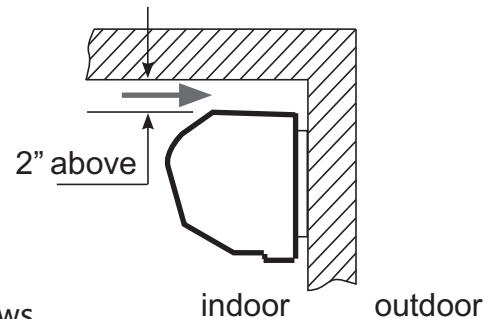
2) Check to ensure the voltage / frequency on rating label is complied with the local power source before use.

3) Follow the right diagram for installation position.

4) Coverage height: 99 inches (for horizontal Air Curtain installation).

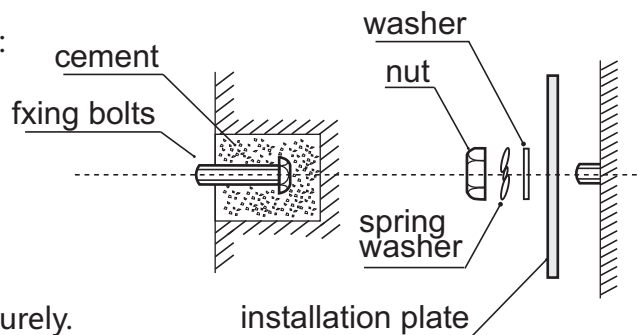
5) Installation on a concrete wall

a. Take down INSTALLATION PLATE (unscrew the fixing screws down the REAR). See the following diagram:

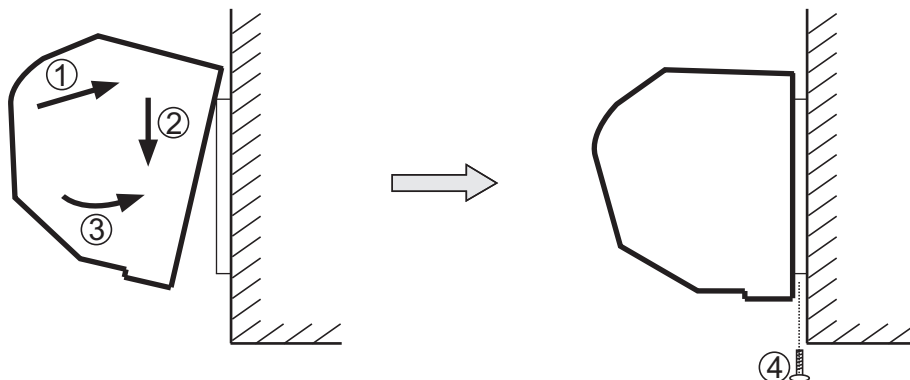


b. Install INSTALLATION PLATE on the wall:

- Fix position of installation.
- Insert bolts and fill with cement for consolidation.
- After cement solidifies, install INSTALLATION PLATE on bolts and fasten it with washers, spring washers and nuts. See the diagram on the right.
- Ensure INSTALLATION PLATE is fixed securely.

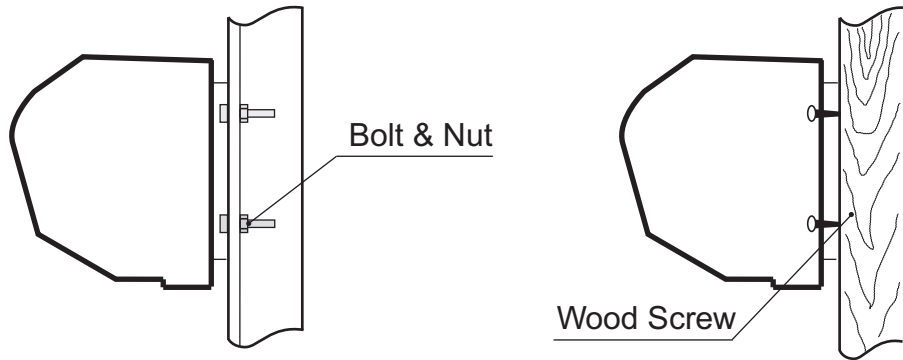


c. Install the BODY (hang up the BODY onto the INSTALLATION PLATE, check to ensure it is proper and secure, and then tighten the fixing screws). See the following diagram:



AIR CURTAIN

6) Other installation methods. See the following diagram:



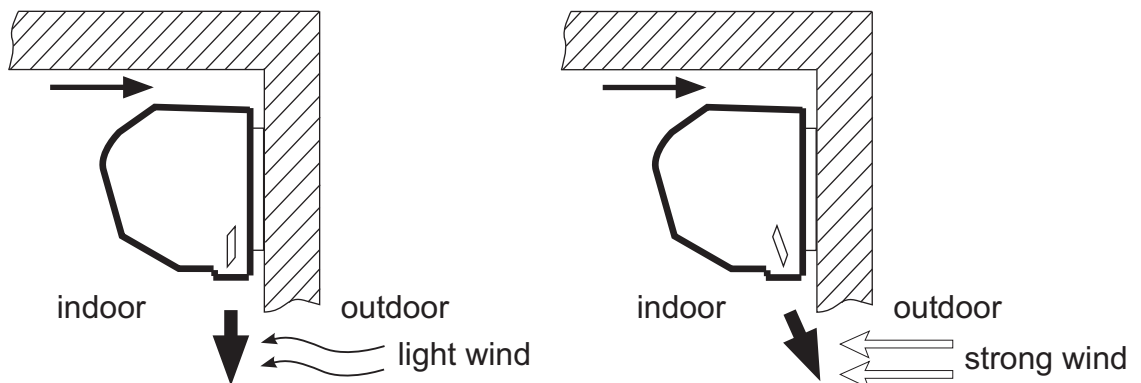
Installation on a Steel Framework

Installation on a Wooden Framework

- 7) Use more than one unit of Air Curtain with appropriate length to fill up the width of the doorway.
- 8) The recommended distance between 2 adjacent units of Air Curtain is to be 1-2 inches.

5. OPERATION INSTRUCTIONS

- 1) Plug-in to an AC power outlet. (OFF lamp lit with a high tone beep)
- 2) Select a key stroke of LO or HI to set the speed at LOW or HIGH.
(or press a relevant function key stroke for the Remote Control device.)
- 3) Adjust AIR DEFLECTOR to preferred direction. See the following diagram:



6. CAUTIONS AND MAINTENANCE

- 1) Install at location firmly enough for safety, check installation quality periodically.
- 2) Do NOT install Air Curtain at location with water-splash, or with permanent exposure to high temperature and places close to explosive and corrosive gases.
- 3) Have reliable earthing set when use.
- 4) In case of damage or breakdown, should consult qualified technician.
- 5) Clean Air Curtain periodically. (Note: Do NOT clean unit with benzene or corrosive liquid.)



WARNING

- Please unplug the power cord before cleaning.

7. REMOTE CONTROL