

User Manual	Manual de Usuario	Manuel de l'Utilisateur
Customer Service US: 1-800-645-2986	Servicio de atención al Cliente US: 1-800-645-2986	Service à la clientèle Canada: 888-645-2986

PRODUCT DESCRIPTION

Model 242080/242081

UB/UD series



Product Description

THANK YOU FOR CHOOSING OUR UTILITY CARTS, FOR YOUR SAFETY AND CORRECT OPERATION, PLEASE CAREFULLY READ THE MANUAL BEFORE USE.

NOTE: All of the information reported herein is based on data available at the time of printing. The factory reserves the right to modify its own products at any time without notice or incurring in any sanction. Please verify with the factory for possible updates.

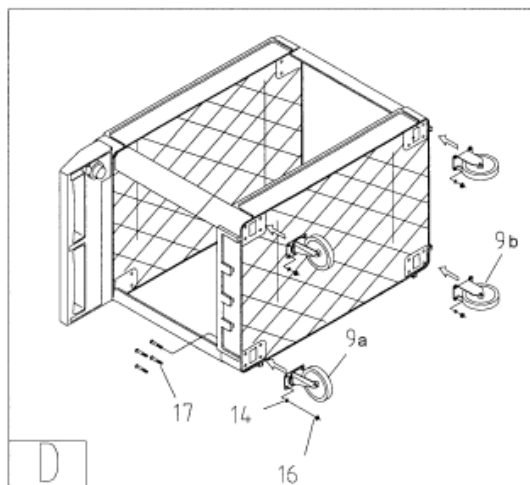
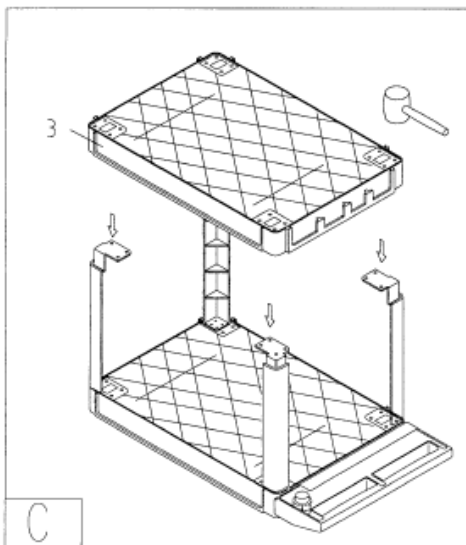
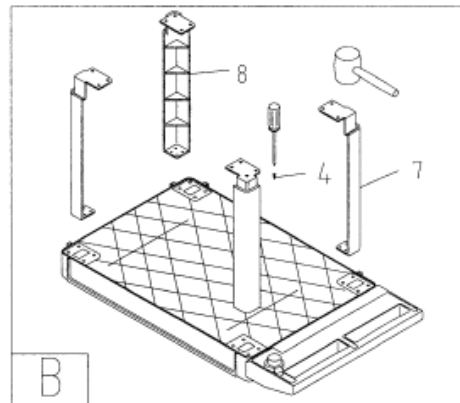
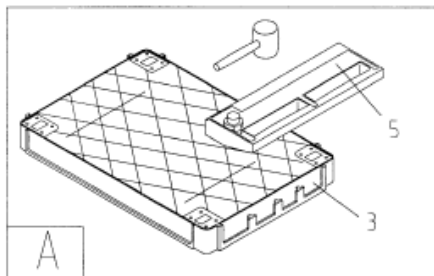
WARNING !

- Review all instructions before assembling the cart.
- Improper assembly can cause personal injury and/or property damage.
- Maximum load is 550 lbs. distributed evenly. Do not overload cart.
- Do not step into or on the cart, or use it as a toy.

INSTALLATION

To assemble the cart, follow the illustrations below. You will need a cross-point screwdriver and a rubber or wood mallet. Use the mallet to tap down the parts to ensure they are seated properly before fastening them with screws.

(NOTE: Numerals refer to parts list on reverse side of this sheet.)



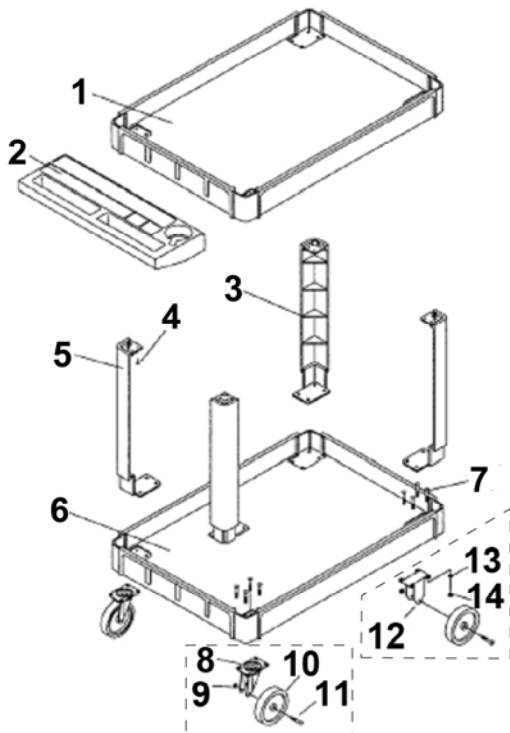
Product Description

Specifications

	UD252	UB252
Maximum Capacity (lbs.)	550	550
Platform Size (in.) (LxWxH)	31 x 17 x 4 ³ / ₈	37 ³ / ₈ x 25 ¹ / ₂ x 4 ³ / ₈
Upper Platform Height (in.)	33 ¹ / ₂	33 ¹ / ₂
Height between Platforms (in.)	19 ⁵ / ₈	19 ⁵ / ₈
Low Platform Height (in.)	6	6
Caster Size (in.)(O.D. x W)	5x1	5 x 1
Overall Size (in.)(LxWxH)	39 ¹ / ₄ x 17 x 33 ¹ / ₂	46 x 25 ¹ / ₂ x 33 ¹ / ₂
Approx. Net Weight (lbs.)	35	45
Approx. Shipping Weight (lbs.)	40	50

Exploded Fig. & Part List

Exploded Figure



Part List

No.#	Description	Q'tity
1	Platform Upper (for model UB252)	1
	Platform Upper (for model UD252)	1
2	Handle (for model UB252)	1
	Handle (for Model UD252)	1
3	Leg A	2
4	Cross Head Screw. M6x25	12
5	Leg B	2
6	Platform Bottom (for model UB252)	1
	Platform Bottom (for model UD252)	1
7	Special Screw M8x45	16
8	Swivel Caster Bracket	2
9	Self-locking Nut M8	4
10	Caster	4
11	Alex Bolt M8x45	4
12	Fixed Caster Bracket	2
13	Spring Washer M8	16
14	Nut M8	16