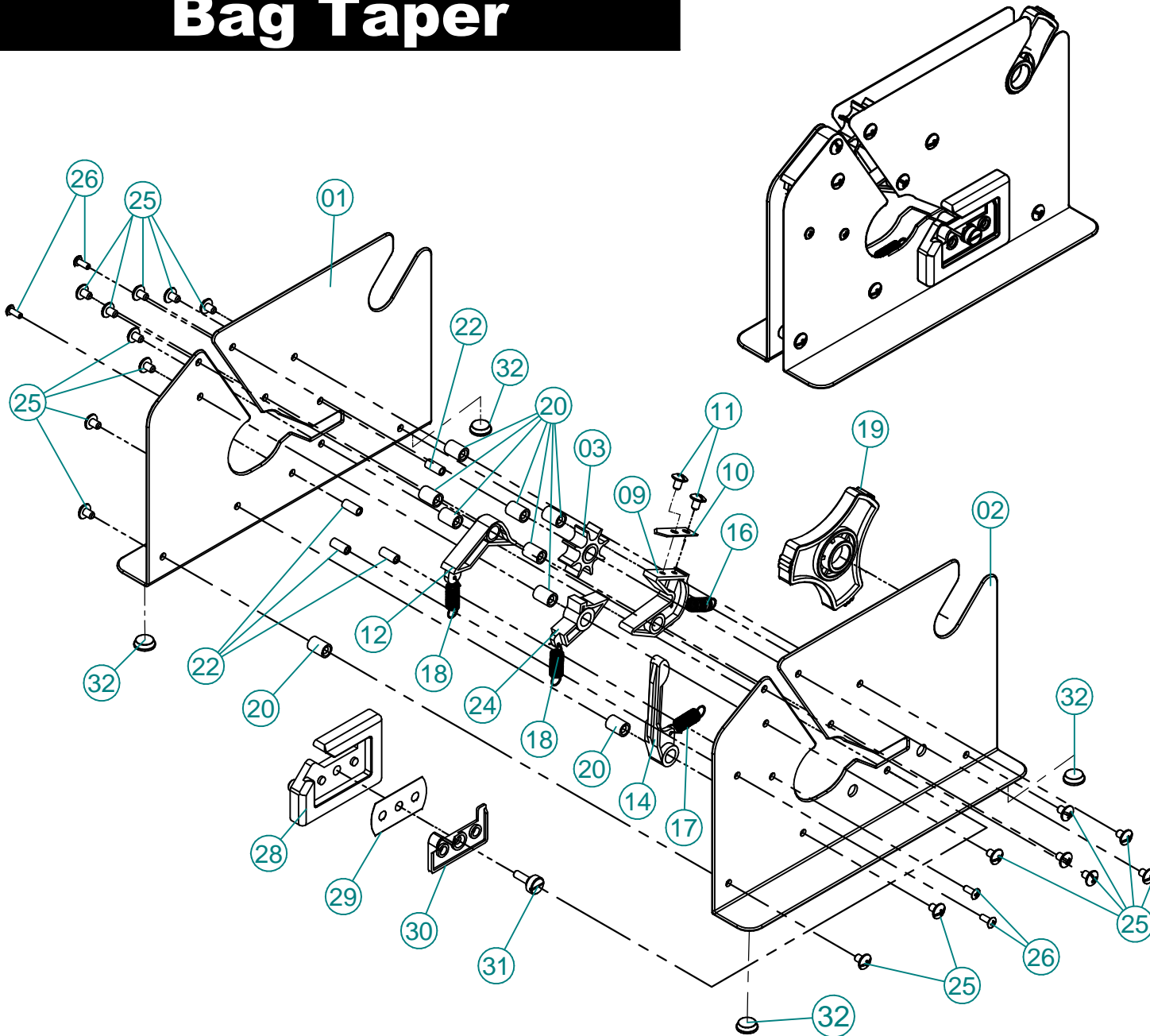


Bag Taper



| Part No | Part Name | QTY |
|---------|------------------|-----|
| 01 | Side Plate-Left | 1 |
| 02 | Side Plate-Right | 1 |
| 03 | Star Wheel | 1 |
| 09 | Blade Holder | 1 |
| 10 | Blade | 1 |
| 11 | Screw | 2 |
| 12 | Short Jaw | 1 |
| 14 | Long Jaw | 1 |
| 16 | Spring | 1 |
| 17 | Spring | 1 |
| 18 | Spring | 1 |
| 19 | Tape Drum | 1 |
| 20 | Bushing | 9 |
| 22 | Bushing | 4 |
| 24 | Jaw | 1 |
| 25 | Screw | 17 |
| 26 | Screw | 4 |
| 28 | Blade Seat | 1 |
| 29 | Blade | 1 |
| 30 | Blade Cover | 1 |
| 31 | Blade Screw | 1 |
| 32 | Rubber Pad | 4 |

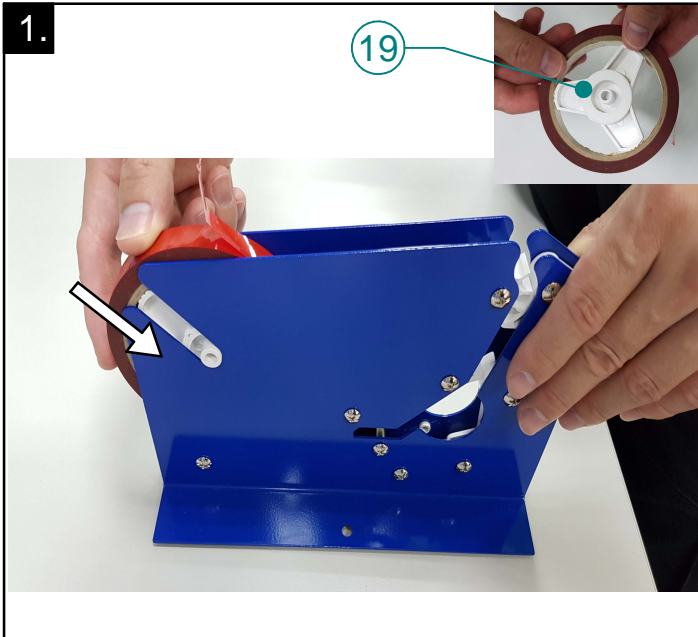
Keep tool well oiled and clean.

Model No. 352748

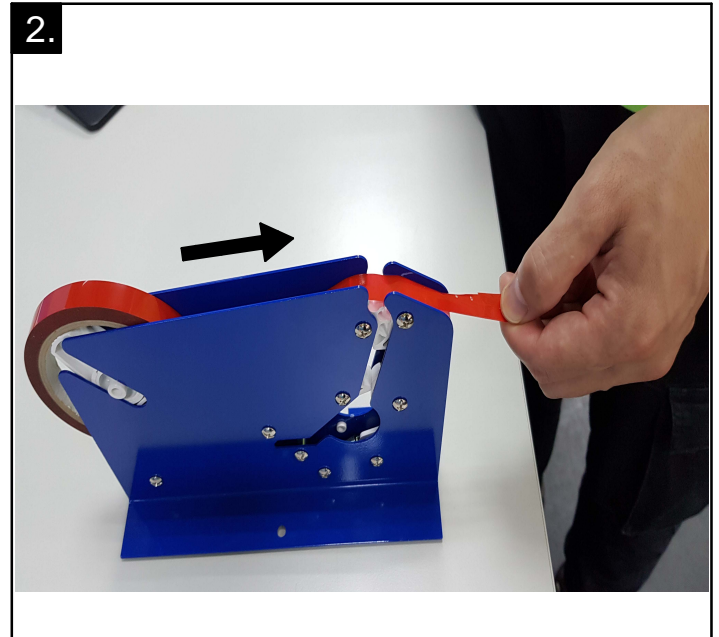
GLOBAL[™]
INDUSTRIAL
We can supply that.[®]

Bag Taper

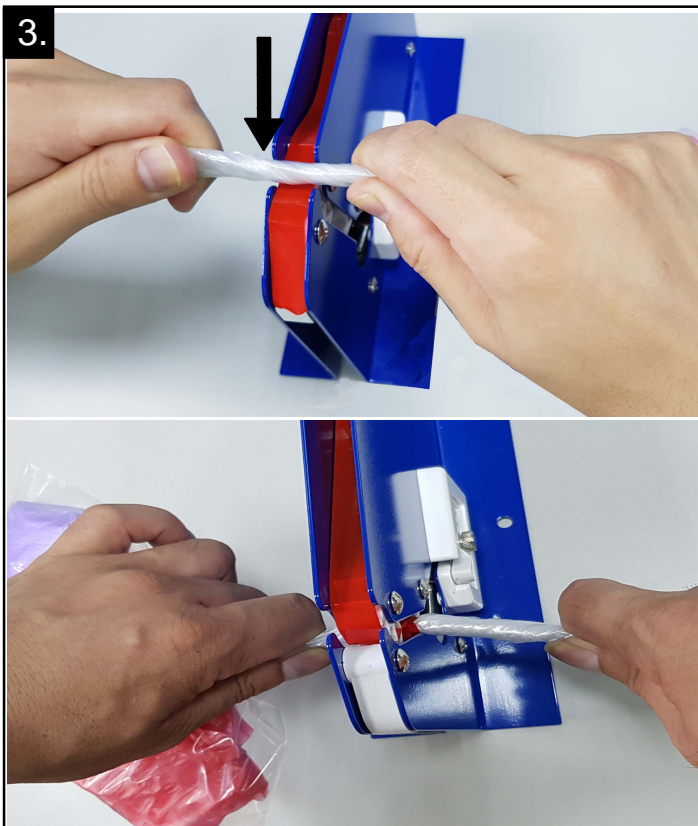
OPERATING INSTRUCTIONS



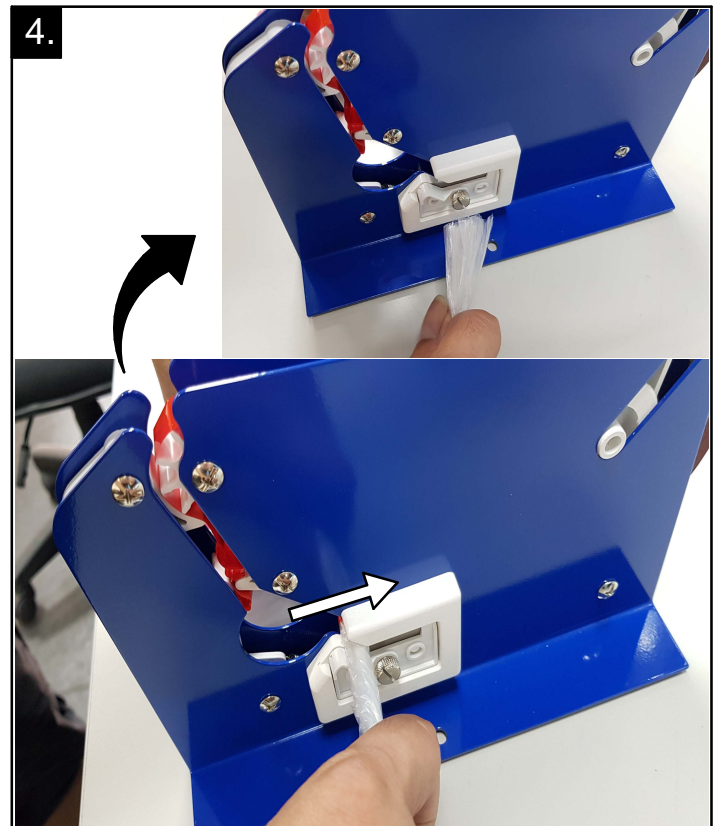
Put tape on the 19 tape drum. Load tape drum in slot.



Pull tape over the neck. Keep adhesive side face up.



Twist plastic bag and push twisted bag down through the neck. The blade will cut the tape automatically.



Cut excessive bag through trimmer.

Model No. 352748