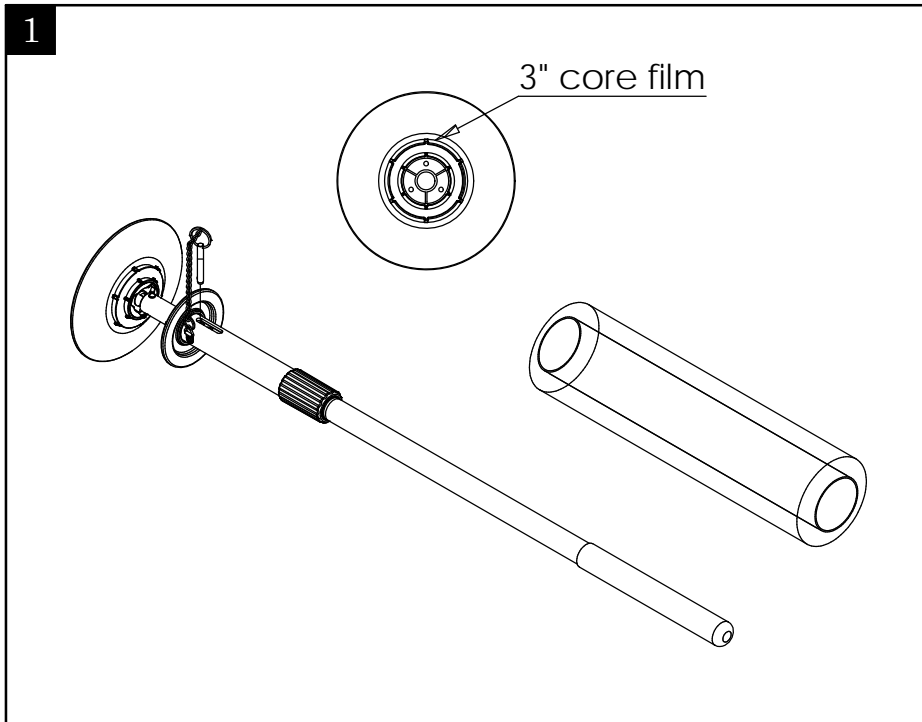
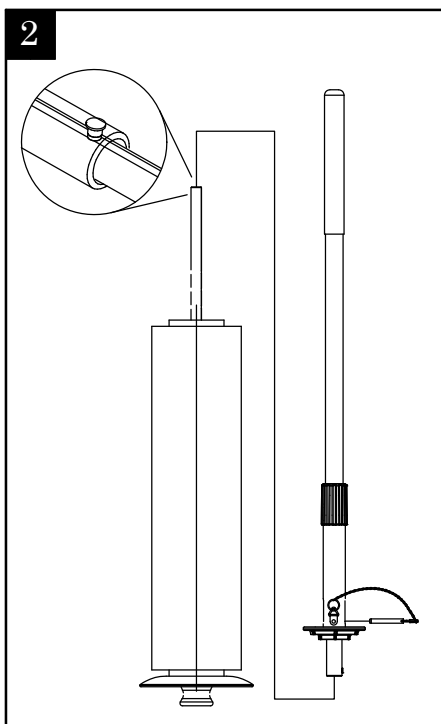


Stretch Film Dispenser

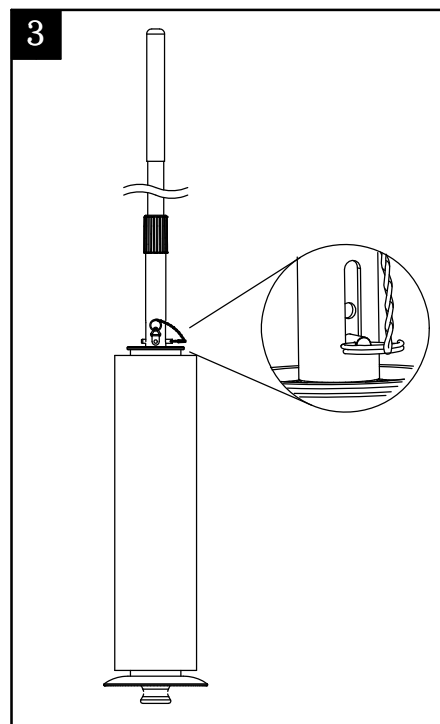
USER GUIDE



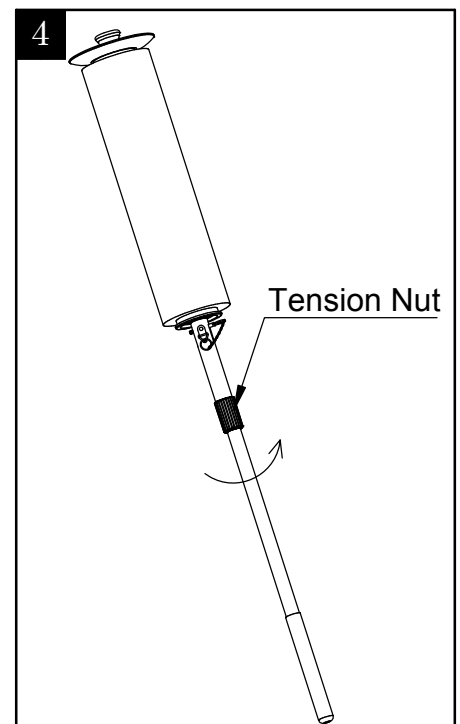
Pull the lock pin out before installing the film roll.



Install the film as shown above.



Push the film roll firmly against the top cap. Secure the film roll by inserting the lock pin in the proper hole.



Turn the tension nut clockwise if you want to increase the tension to the film. Turn the tension nut anti-clockwise if you want to decrease the tension to the film.