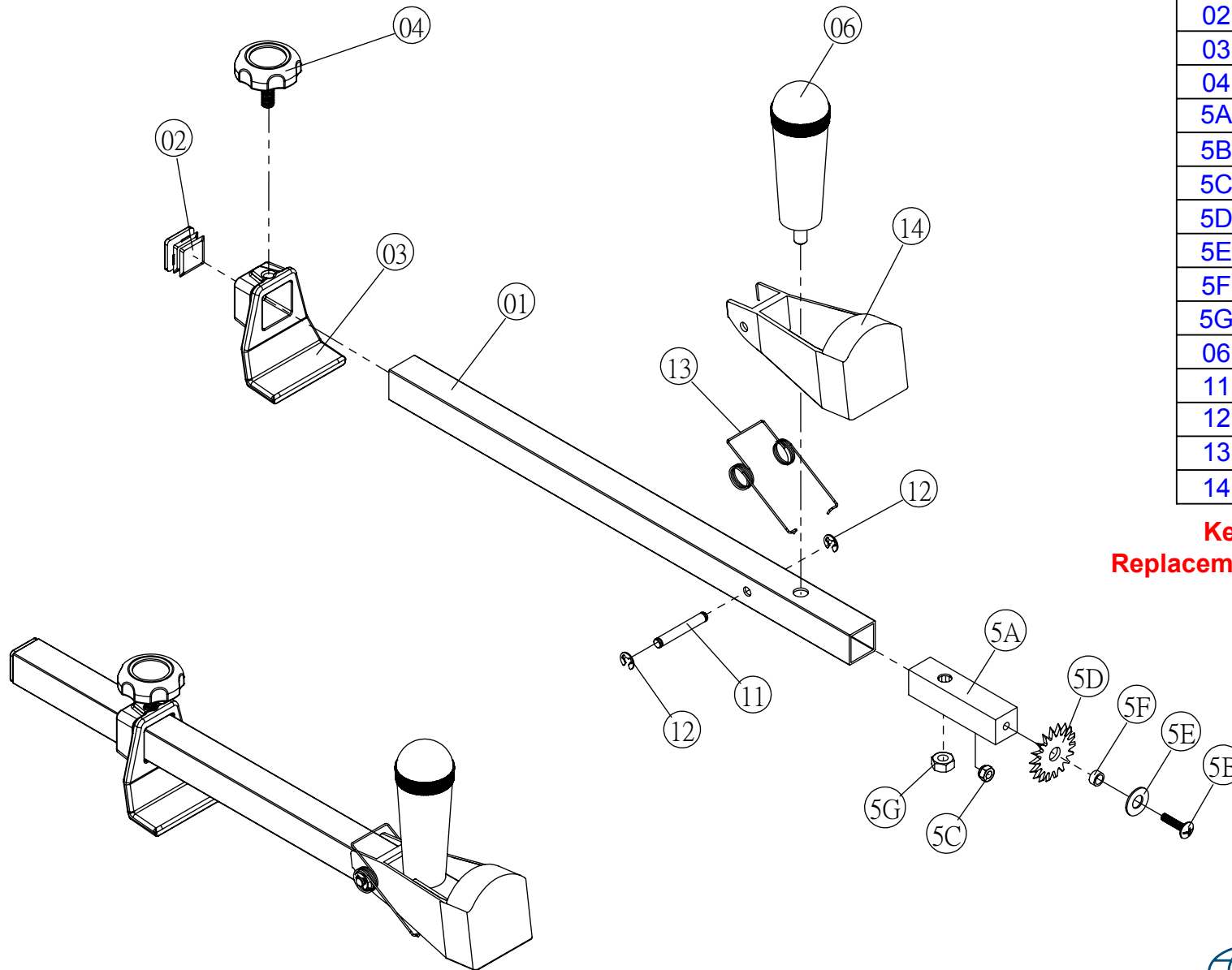


# Carton Sizer



Part No.	Part Name	QTY
01	Tube	1
02	Plastic Cover	1
03	Aluminum Hook	1
04	Pivot Screw	1
5A	Square Shaft	1
5B	Screw	1
5C	Nut	1
5D	Blade	1
5E	Washer	1
5F	Cushion	1
5G	Nut	1
06	Handle	1
11	Pin	1
12	Cilp	2
13	Spring	1
14	Blade Cover	1

**Keep tool well oiled and clean.**  
**Replacement Blade Model no. 244287**

Model no. 244282