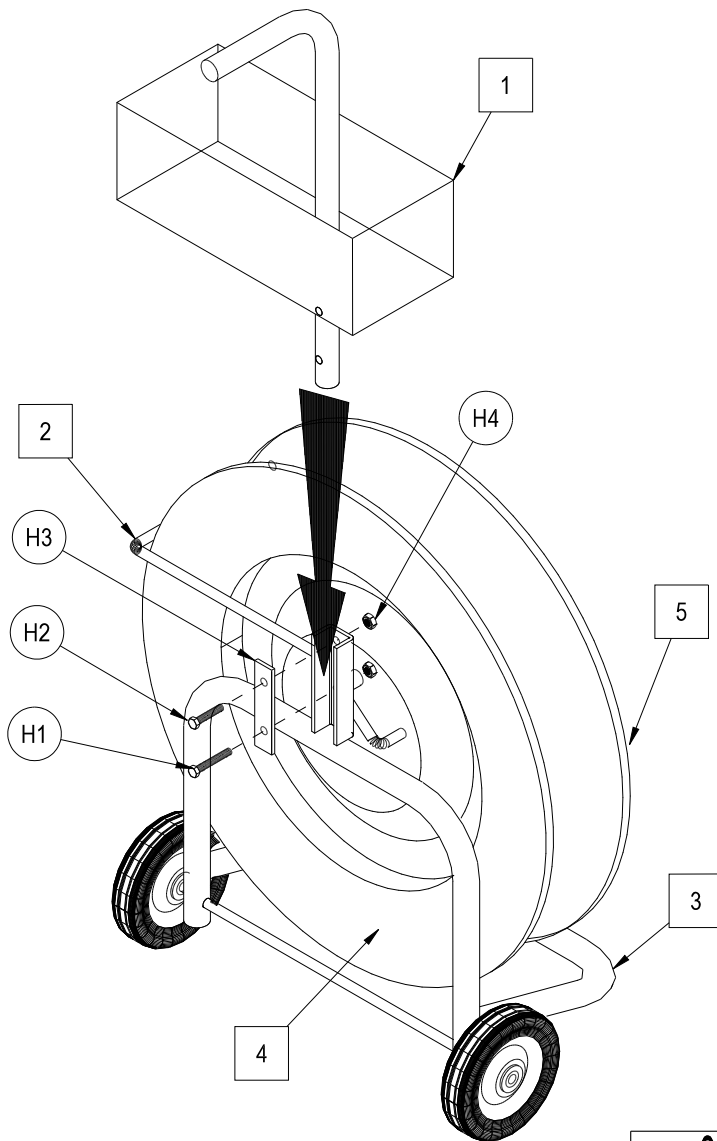


STEEL STRAPPING CART

Model 241121

ASSEMBLY INSTRUCTION



CONTENTS		
REF.	QTY.	DESCRIPTION
1	1	STORAGE BOX ASSEMBLY
2	1	BRAKE AND REEL GUIDE
3	1	CART ASSEMBLY
4	1	INNER DISK
5	1	OUTER DISK
H1	1	1/4 - 20 HEX BOLT (LONG)
H2	1	1/4 - 20 HEX BOLT (SHORT)
H3	1	SHIM
H4	2	1/4- 20 HEX HUT
H5	1	WING NUT

⚠ WARNING.

1. Before using the tool, read operating instructions carefully.
Not using tool properly can cause serious injury or death.
2. Always wear eye, or face and hand protection when operating the tool.
3. Do not put any part of your body between the strap and the packaging while operating the tool.
4. Dangerous brackage may accur due to execessive tensioning.
Do not over tension the strap.
5. Do not stand in line with the strap while it is being tensioned.
The strap could break if over tensioned.
6. When cutting the strap, hold the upper portion and stand at a safe distance and away from the strap, as the lower strap will spring up.
7. Always use the original replacement parts to ensure quality.
8. Clean the tool with brush or compressed air periodically.
9. Apply light machine oil to all moving parts.

SPOOL INSTALLATION

