

User's manual	Manual del usuario	Manuel de l'utilisateur
Customer Service US: 1-800-645-2986	Servicio de atención al Cliente US: 1-800-645-2986	Service à la clientèle Canada: 888-645-2986

Energy Efficient Portable Dehumidifier

Model 246105
30 Pint Dehumidifier

Model 246106
50 Pint Dehumidifier

Model 246107
70 Pint Dehumidifier

Model 246108
70 Pint Dehumidifier
w/Built-in Pump



Please read entire manual carefully before use. Save manual for future reference.

⚠ WARNING

- DO NOT allow children or non-qualified persons operate this dehumidifier.
- Disconnect unit from its power source before cleaning, maintenance, servicing or replacing parts.
- Disconnect all supply circuits before accessing terminals.
- NEVER attempt to plug in or operate dehumidifier with defective or damaged wires, power cord, or power cord plug. All defective parts should be replaced immediately by a qualified service technician using genuine replacement parts.
- Check the nameplate for the type of refrigerant gas used in the appliance. Maintenance and disposal operations must be carried out by qualified personnel only.
- This hermetically sealed system contains fluorinated Greenhouse gases covered by Kyoto Protocol.
- DO NOT damage the cooling circuit of the machine.
- DO NOT use this unit for functions other than those described in this manual.
- Ensure power plug is firmly and completely plugged into the outlet. Doing so will avoid risk of electric shock or fire.
- DO NOT plug other appliances into the same outlet. Doing so may result in the risk of electric shock.

- DO NOT disassemble or modify the appliance or any of its parts. Doing so may result in the risk of electric shock or fire. All services should be referred to a qualified technician.
- DO NOT place the power cord or dehumidifier near a heater, radiator, or other heat source. Doing so may result in the risk of electric shock or fire.
- This unit is equipped with a cord that has a grounded wire connected to a pin or grounding tab. The plug must be plugged into a socket that is properly installed and grounded. DO NOT under any circumstances cut or remove the grounded pin or grounding tab from the plug.
- The unit should be used or stored in such a way that it is protected from moisture, condensation, water, etc.
- ALWAYS transport your appliance in a vertical position and place on a stable, level surface during use. If the unit is transported on its side it should be stood up and left unplugged for 6 hours prior to use.
- ALWAYS use the power switch on the control panel or remote control to turn the unit on/off. DO NOT start or stop operation by plugging or unplugging the power cord. Doing so can result in the risk of electric shock.
- DO NOT press the buttons on the control panel with anything other than your fingers.

Energy Efficient Portable Dehumidifier

- DO NOT use hazardous chemicals to clean or come into contact with the unit. To prevent damage to the surface finish, use only a soft cloth to clean the appliance. DO NOT use solvents, or strong detergents.
- DO NOT use the unit in the presence of flammable substances or vapors such as alcohol, insecticides, or gasoline.
- If the appliance is making unusual sounds or is emitting smoke or an unusual odor, unplug it immediately.
- DO NOT clean the unit with water. Water can enter the unit and damage the insulation, creating a shock hazard. If water enters the unit, unplug it immediately and contact Global Industrial Customer Service at 1-800-645-2986.
- Utilize two or more people to lift and install the unit.
- Be sure all accessories are removed from the packaging before installation and use.
- Avoid contact with the metal parts of the appliance when removing or re-installing the filter.
- DO NOT block the air inlet or outlet of the dehumidifier. Reduced air flow will result in poor performance and could damage the unit.
- ALWAYS grasp the plug when plugging or unplugging the unit. Unplugging the unit by pulling on the cord can run the risk of electrical shock and damage.
- Install the dehumidifier on a sturdy, level surface capable of supporting up to 110 lbs. (50kg). Installation on a weak or non level surface can result in the risk of property damage and personal injury.
- Close all doors and windows to the room for efficient operation.



CAN ICES-3 (B)/NMB-3(B)

FCC CAUTION:

This device complies with part 15 of the FCC Rules. Operation is subject to the following two conditions: (1) This device may not cause harmful interference, and (2) this device must accept any interference received, including interference that may cause undesired operation. Any changes or modifications not expressly approved by the party responsible for compliance could void the user's authority to operate the equipment.

IMPORTANT - GROUNDING METHOD

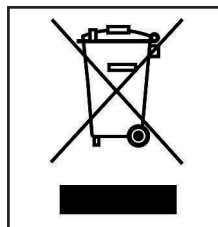
This product is factory equipped with a power supply cord that has a three-pronged grounded plug. It must be plugged into a mating grounding type receptacle in accordance with the National Electrical Code and applicable local codes and ordinances. If the circuit does not have a grounding type receptacle, it is the responsibility and obligation of the customer to exchange the existing receptacle in accordance with the National Electrical Code and applicable local codes and ordinances. The third ground prong should not, under

any circumstances, be cut or removed. Never use the cord, the plug or the appliance when they show any sign of damage. Do not use your appliance with an extension cord unless it has been checked and tested by a qualified electrical supplier. Improper connection of the grounding plug can result in risk of fire, electric shock and/or injury to persons associated with the appliance. Check with a qualified service representative if in doubt that the appliance is properly grounded.

ELECTRICAL CONNECTIONS

Before plugging the appliance into outlet check that:

- The power supply corresponds to the value indicated on the rating plate on the back of the dehumidifier.
- The power outlet and electrical circuit are adequate for the dehumidifier.
- The outlet matches the plug. If this is not the case, have the plug replaced.
- The outlet is adequately grounded. Failure to follow these important safety instructions may result in injury or damage and exempts Global Industrial of all liability.



Check local regulations for proper waste disposal procedures. As a reminder of the need to dispose of household appliances separately, the product is marked with a crossed-out wheeled dustbin.

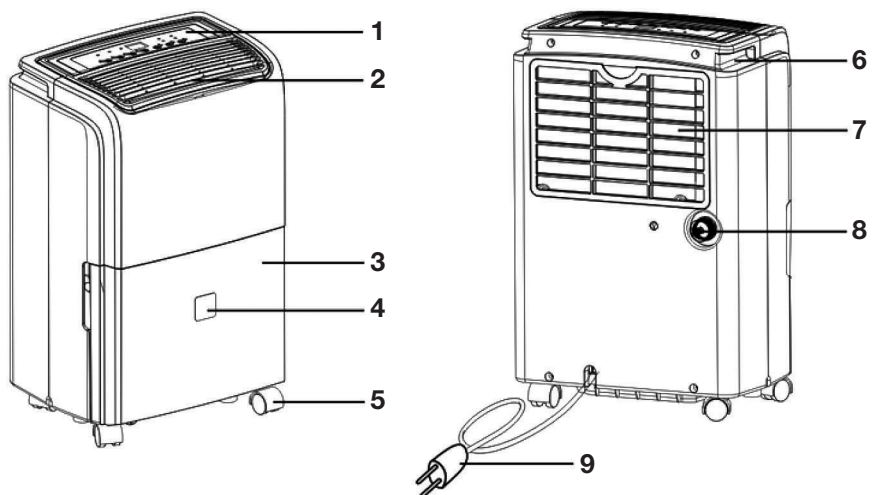
NOTES ON HUMIDITY

Air always contains a certain amount of water in the form of vapor. This determines the level of humidity in an atmosphere. The capacity of the air to hold water vapor increases with temperature. This is why in our homes, as soon as the temperature decreases, the vapor contained in the air condenses. This is evident on the colder surfaces in the room, such as the windows, walls, etc. The purpose of a dehumidifier is to remove the excess moisture from the air, avoiding damage caused by condensation.

Experts have established that the optimum environmental conditions for our well-being and for the home are between 40% and 60% relative humidity. In low temperatures, it is recommended to heat the room minimally. This considerably increases the dehumidifying power of the appliance. With heating, the condensation formed by the water vapor on windows and other cold surfaces evaporates into the air to be collected by the dehumidifier. Air leaving the dehumidifier is usually about 1-2° warmer than room temperature.

Energy Efficient Portable Dehumidifier

COMPONENT BREAKDOWN

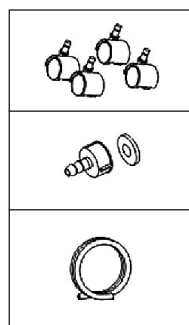


1	Control Panel
2	Air Outlet
3	Bucket
4	Water Level Indicator
5	Casters
6	Handle
7	Air Intake Grille
8	Drainage Holes
9	Power Cord

*Note: All illustrations in this manual are for explanatory purposes only. Your unit might look slightly different.

Before using, remove all accessories from the bucket: Detach the bucket, open the cover, remove the plug and all other accessories. Reinstall the cover, and correctly reattach the bucket into the dehumidifier.

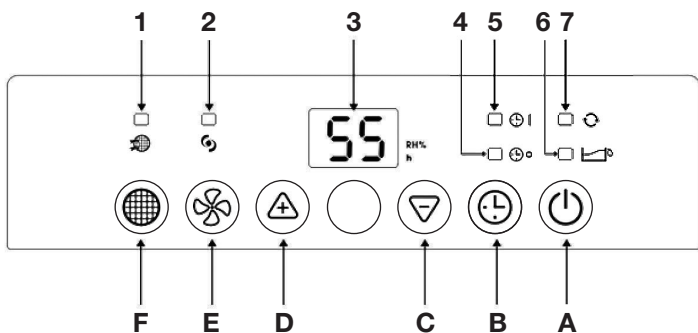
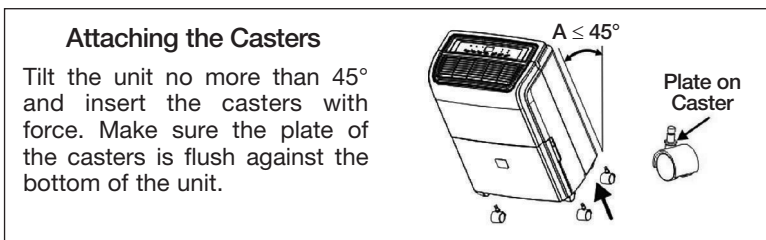
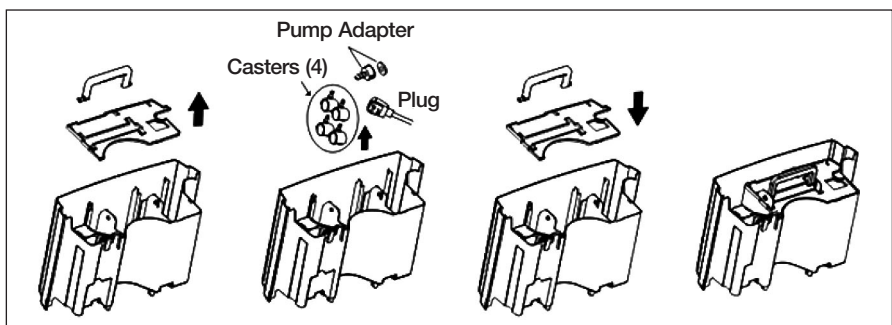
Accessories Included:



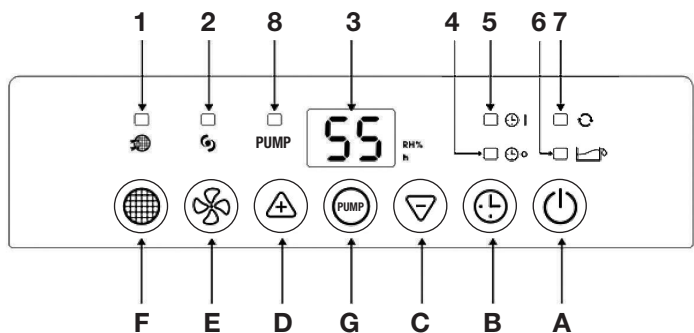
Casters (4)

Pump Adapter
(for model 246108 only)

Drain Hose
(for model 246108 only)



The above figure is for models 246105, 246106, & 246107 (without pump)



The above figure is for model 246108 (with pump)

1	Clean Filter Symbol	5	Timer "On" Symbol	A	On/Off Button	E	Fan Speed Button
2	High Fan Speed Symbol	6	Bucket Full Alarm	B	Timer Button	F	Filter Reset Button
3	Display Screen	7	Continuous Symbol	C	Increase Button	G	Pump Button
4	Timer "Off" Symbol	8	Pump Symbol	D	Decrease Button		

Energy Efficient Portable Dehumidifier

⏻ On/Off power supply is used to control the start-up or shut down of the dehumidifier.

⬆️/⬇️ Increase and decrease the indoor humidity level, or set the time.

- Humidity adjustable range is 35%RH-80%RH. The screen will display the setting humidity, and after few seconds, turn to display the ambient humidity.
- When the ambient humidity is lower than the set humidity, the compressor will stop running and after a few minutes, the fan will stop running.
- To continuously run, press the ⬇️ button until ☐ is displayed on the screen and the ↻ continuous symbol lights up.

⚙️ Fan speed is used to select the speed from Low to High. Speed is on high when the ⚙️ symbol lights up.

⌚ Timer button is used to to delay start-up or shutdown. This avoids wasting electricity by optimizing operating periods.

PROGRAMMING START-UP

- Turn machine on and choose mode; for example: Dehumidify Mode, High Fan Speed. Turn machine off.
- Press Timer Button, the screen will begin to flash. Press the ⬆️/⬇️ buttons to adjust the set-time from 0.5 to 24 hours.
- After 5 seconds without operation, the timer will begin and the ⌚ | symbol will light up.
- To cancel Timer, press Timer button again and the ⌚ | will disappear.

BUCKET FULL ALARM

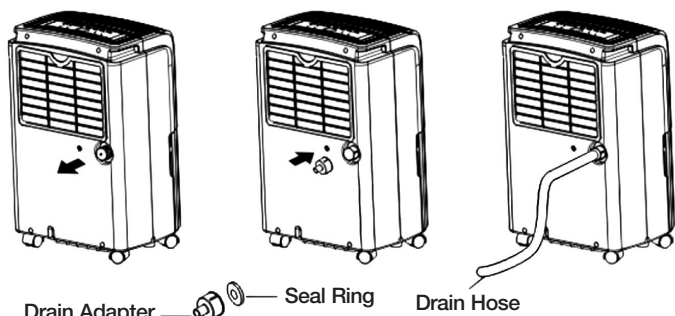
- When the bucket is full, the compressor will shut-off and after a few minutes the fan will stop. The machine will begin to beep and the bucket full symbol 🪴 will flash.
- The unit will not run again until the bucket is emptied and properly placed back inside the dehumidifier.
- Clean the bucket weekly to prevent growth of mold, mildew and bacteria. Use a mild detergent to clean. Ensure bucket is completely dry before reinstalling back into dehumidifier.
- NOTE: Hold the bucket with both hands when emptying.
- NOTE: When the bucket is full or removed from the unit, the compressor will turn off but the fan will continue to run for a few minutes. This is completely normal; the machine will not be removing moisture from the air at this time.
- NOTE: During normal operation, the humidifier will exhaust warm air from the top of the unit.
- **CAUTION:** DO NOT place the bucket on the floor when full as bottom is uneven and may cause spillage.

AUTOMATIC DEFROST

When frost builds upon the evaporator coils, the compressor will cycle off and the fan will continue to run until the frost disappears. When the coils are completely defrosted, the compressor or fan (depending on the model) will automatically restart and dehumidification will resume.

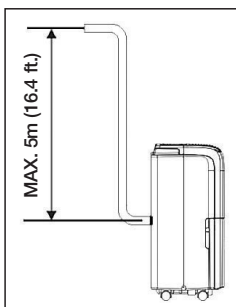
CONTINUOUS DRAINAGE

Using Built-In Pump (Model 246108 Only)



• Connect the drain pipe on the back of the dehumidifier; this will allow the unit to run continuously without the use of the bucket.

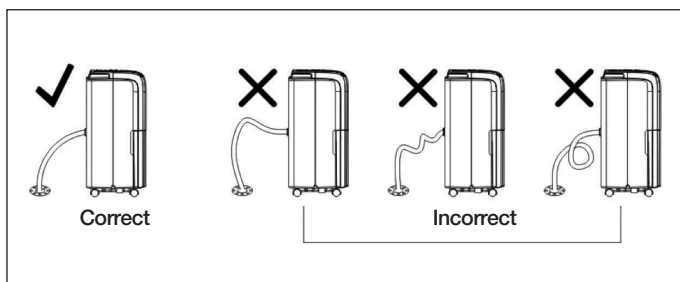
1. Place the dehumidifier on a level surface and unscrew the cap on the back of the unit.
2. Install the drain and gasket connector.
3. Install the drain pipe to the connector.
4. Press Power button to run the unit. For Model 246108 Pump Drain:
5. Press the "PUMP" button to start the pump drain function, and the "PUMP" symbol will light up. The maximum height of pump drainage is 16.4 ft (5 meters).



CONTINUOUS DRAIN HOSE ROUTING

Without Pump (All Models)

1. Connect 1¹/₁₆" threaded garden hose (not included) onto the units drain hole.
2. Make sure hose is installed correctly, otherwise the water will not drain properly, (see image below).
3. Use gravity to drain water to a nearby drain or other location.



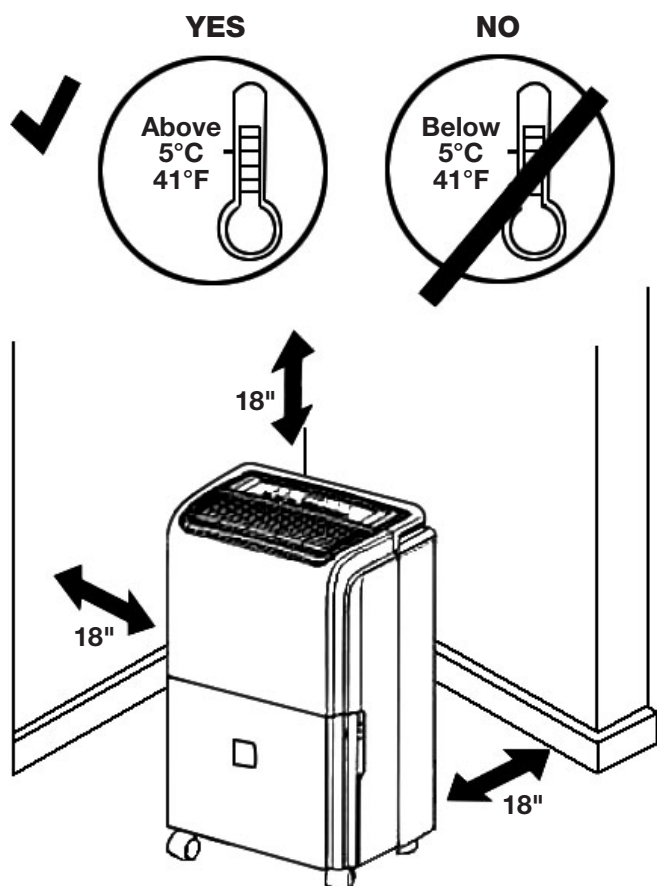
• If the continuous drain function is not needed, install the cap on the drain hole on the back of the unit and the water will flow into the bucket.

NOTE: Ensure the unit is placed on a level surface, otherwise the water will not drain properly.

Energy Efficient Portable Dehumidifier

LOCATION REQUIREMENTS

Note: Basement operation will have little to no effect in drying out an adjacent enclosed area, such as a closet, unless there is adequate circulation of air in and out of the area.



- This unit is designed for indoor use only.
- Place the dehumidifier on a level floor surface that is strong enough to support the unit with a full bucket of water.
- Allow at least 18 inches of air flow on all sides.
- Place the unit in an area where the temperature will not fall below 41°F (5°C).
- Utilize the dehumidifier in areas of excessive moisture, such as basements, kitchens, laundry rooms and bathrooms.
- Keep dehumidifier away from clothes dryer.
- The dehumidifier must be operated in an enclosed area to be most effective. Close all doors, windows and any other outside openings for best results.

CLEANING AND MAINTENANCE

⚠ WARNING

Before cleaning and maintenance, turn the power off on the control panel of the dehumidifier. Wait a few minutes then unplug the unit from the outlet. Not doing so increases the risk of electric shock or fire.

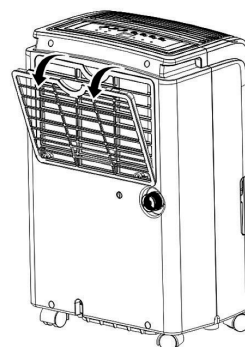
The dehumidifier's water collection tank must be cleaned with soap and warm water or a mild detergent frequently. Mold and mildew can build up quickly, and when inside a dehumidifier tank, it can get dispersed into the air, affecting air quality.

Several times a season, use a vacuum with a brush attachment to clean the intake and exhaust grilles. Dust and debris build-up can cause blockages that can lead to deterioration of the unit.

Cleaning Filter

To keep the appliance working efficiently, it is recommended to clean the filter every week of operation:

- Use a vacuum with a brush attachment to remove dust accumulation from the filter.
- If filter is very dirty, immerse it in warm water and rinse several times. The water temperature should never be hotter than 104°F (40°C). Allow filter to fully dry before reattaching back to the dehumidifier.



End of Season Maintenance and Storage



- Turn off power and unplug from outlet.
- Empty the bucket.
- Remove cap and drain remaining water into a basin.
- When all water has been drained, put the cap back in place.
- Clean filter and dry thoroughly before reinstalling.
- Cover the appliance for dust protection.
- Store the dehumidifier upright in a dry location.

Start of Season Checks

- Inspect dehumidifier for signs of damage.
- Inspect power cable and plug for signs of damage.
- Follow the installation instructions precisely.
- Please contact Global Industrial Customer Service at 1-800-645-2986 for questions and inquiries.

Energy Efficient Portable Dehumidifier

TROUBLESHOOTING

Problem	Possible Cause	Solution
Dehumidifier does not start.	The dehumidifier is unplugged.	Make sure the dehumidifier's plug is pushed completely into the outlet.
	The fuse is blown/circuit breaker is tripped.	Check the house fuse/circuit breaker box and replace fuse or reset breaker.
	Dehumidifier has reached its present level or the bucket is full.	The dehumidifier automatically turns off when either condition occurs. Change to a lower setting or empty the water bucket and replace properly.
	Bucket is not in the proper position.	The bucket must be in place and securely seated for the dehumidifier to operate.
	Power Failure.	There is a protective time delay (up to 3 minutes) to prevent tripping of the compressor overload. For this reason, the unit may not start normal operation for 3 minutes after it is powered back on.
Dehumidifier does not dry air as it should.	Not enough time allowed for unit to remove moisture.	When first installed, allow at least 24 hours to maintain the desired dryness.
	Airflow is restricted.	Make sure there are no curtains, blinds, or furniture blocking the front or back of the dehumidifier. See the Location Requirements section of this manual for more information.
	Dirty filter	See the Cleaning Filter section of this manual for more information.
	The humidity control may not be set low enough.	For drier air, press the  button to lower the percent humidity desired in the room, or set the dehumidifier to  for maximum dehumidify.
	Doors and windows may not be closed tightly.	Check that all doors, windows, and other openings are securely closed.
	Clothes dryer may be blowing moist air into the room.	Install the dehumidifier away from the dryer. The dryer should be vented outside.
	Room temperature is too low.	Moisture removal is best at higher room temperatures. Lower room temperatures will reduce the moisture removal rate. This dehumidifier is designed to operate at temperatures above 5°C (41°F).
Appliance runs too long.	The area is too large.	The capacity of the appliance cannot meet the area of the room.
	Doors and windows are open.	Close all doors and windows.
Frost appears on heat exchanger.	Appliance has been operated recently or the room temperature is too low.	This is normal, frost usually disappears within 60 minutes.
Fan noise	The air is passing through the appliance.	This sound is normal.
Water on the floor.	Drain connections are not fastened properly. dehumidifier is not on a level surface.	Check the drain connection for leaks and fasten properly. Make sure the appliance is operating on a level surface.

If any of the following error codes appear, contact a certified after-sales service department for inspection and/or repair. For additional information, contact Global Industrial Customer Service at 1-800-645-2986.

Code	Description
P1	Bucket Pull Out
EH	Humidity sensor failure
E1	Temperature sensor failure
E2	
E3	Gas leakage

- Code P1 applies to model 246108 (with pump) only.
- If code E3 appears, check to see if the room temperature is above 90°F (32°C). If this is the case, relocate the dehumidifier in a location below 86°F (30°C) and allow to sit for 2 hours before running again. Start the unit again; if the E3 code still appears, contact a service department or Global Industrial Customer Service at 1-800-645-2986 for further instructions.

User's manual

Manual del usuario

Manuel de l'utilisateur

Customer Service
US: 1-800-645-2986

Servicio de atención al Cliente
US: 1-800-645-2986

Service à la clientèle
Canada: 888-645-2986

Deshumidificador portátil de bajo consumo



Modelo 246105
Deshumidificador de 30 pintas

Modelo 246106
Deshumidificador de 50 pintas

Modelo 246107
Deshumidificador de 70 pintas

Modelo 246108
Deshumidificador de 70 pintas
con bomba incorporada

**Por favor, lea el manual completo.
Guardar para referencia futura.**

⚠ ADVERTENCIA

- NO permita que niños o personas no calificadas operen este deshumidificador.
- Desconecte la unidad de su fuente de energía antes de limpiar, mantener, reparar o reemplazar partes.
- Desconecte todos los circuitos de alimentación antes de acceder a los terminales.
- NUNCA intente enchufar u operar el deshumidificador con defectos o daños en el cable de alimentación o enchufe del cable de alimentación. Todas las piezas defectuosas deben ser reemplazadas inmediatamente por un técnico de servicio calificado que utilice piezas de repuesto originales.
- Compruebe la placa de identificación para el tipo de gas refrigerante utilizado en el aparato. Las operaciones de mantenimiento y desecho deben ser realizadas únicamente por personal calificado.
- Este sistema herméticamente sellado contiene gases de efecto invernadero fluorados cubiertos por el Protocolo de Kyoto.
- NO dañe el circuito de refrigeración de la máquina.
- NO use esta unidad para otras funciones que no sean las descritas en este manual.
- Asegúrese de que el enchufe de alimentación esté firme y completamente enchufado en el tomacorriente. Si lo hace, evitará el riesgo de descarga eléctrica o incendio.
- NO enchufe otros aparatos en la misma toma de corriente. De lo contrario, podría sufrir una descarga eléctrica.

- NO desarme ni modifique el aparato ni ninguna de sus partes. De lo contrario, podría producirse una descarga eléctrica o un incendio. Todos los servicios deben ser referidos a un técnico calificado.
- NO coloque el cable de alimentación o el deshumidificador cerca de un calentador, radiador u otra fuente de calor. De lo contrario, podría producirse una descarga eléctrica o un incendio.
- Esta unidad está equipada con un cable que tiene un cable conectado a tierra conectado a un pasador o pestaña de conexión a tierra. El enchufe debe estar conectado en un tomacorriente que esté correctamente instalado y conectado a tierra. NO corte ni quite, en ninguna circunstancia, la clavija a tierra o la pestaña de conexión a tierra del enchufe.
- La unidad debe utilizarse o almacenarse de manera que esté protegida de la humedad, la condensación, el agua, etc.
- SIEMPRE transporte su aparato en posición vertical y colóquelo en una superficie estable y nivelada durante el uso. Si la unidad se transporta de lado, debe pararse y dejarse desenchufada durante 6 horas antes de usarla.
- SIEMPRE use el interruptor de encendido en el panel de control o el control remoto para encender/apagar la unidad. NO inicie ni detenga la operación al enchufar o desenchufar el cable de alimentación. Si lo hace, puede provocar un riesgo de descarga eléctrica.
- NO presione los botones en el panel de control con otra cosa que no sean sus dedos

Deshumidificador portátil de bajo consumo

- NO utilice productos químicos peligrosos para limpiar o entrar en contacto con la unidad. Para evitar dañar el acabado de la superficie, use solo un paño suave para limpiar el aparato. NO utilice disolventes, ni detergentes fuertes.
- NO use la unidad en presencia de sustancias inflamables o vapores tales como alcohol, insecticidas, o gasolina.
- Si el aparato está haciendo sonidos inusuales o está emitiendo humo o un olor inusual, desenchúfelo inmediatamente.
- NO limpie la unidad con agua. El agua puede entrar en la unidad y dañar el aislamiento, creando un peligro de descarga. Si entra agua en la unidad, desconéctela inmediatamente y comuníquese con el Servicio al cliente de Global Industrial al 1-800-645-2986.
- Utilice a dos o más personas para levantar e instalar la unidad.
- Asegúrese de que todos los accesorios se retiren del empaque antes de la instalación y el uso.
- Evite el contacto con las partes metálicas del aparato al retirar o reinstalar el filtro.
- NO bloquee la entrada o salida de aire del deshumidificador. La reducción del flujo de aire dará como resultado un rendimiento deficiente y podría dañar la unidad.
- SIEMPRE sujete el enchufe al conectar o desconectar la unidad. Desconectar la unidad tirando del cable puede correr el riesgo de descarga eléctrica y daños.
- Instale el deshumidificador en una superficie sólida y nivelada capaz de soportar hasta 110 lb. (50kg). La instalación en una superficie débil o no nivelada puede provocar daños a la propiedad y lesiones personales.
- Cierre todas las puertas y ventanas de la habitación para un funcionamiento eficiente.



CAN ICES-3 (B)/NMB-3(B)

PRECAUCION FCC

Este dispositivo cumple con la parte 15 de las Reglas de la FCC. El funcionamiento está sujeto a las siguientes dos condiciones: (1) este dispositivo no puede causar interferencias perjudiciales y (2) este dispositivo debe aceptar cualquier interferencia recibida, incluidas las interferencias que puedan causar un funcionamiento no deseado. Cualquier cambio o modificación no aprobada expresamente por la parte responsable del cumplimiento podría anular la autoridad del usuario para operar el equipo.

IMPORTANTE - MÉTODO DE CONEXIÓN A TIERRA

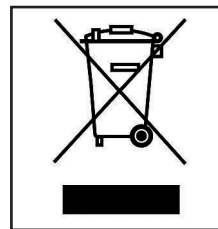
Este producto viene equipado de fábrica con un cable de alimentación que tiene un enchufe con conexión a tierra de tres clavijas. Debe conectarse en un receptáculo de conexión a tierra de acuerdo con el Código Eléctrico Nacional y los códigos y ordenanzas locales aplicables. Si el circuito no tiene un receptáculo del tipo de conexión a tierra, es responsabilidad y obligación del cliente intercambiar el receptáculo existente de acuerdo con el Código Eléctrico Nacional y los códigos y ordenanzas locales aplicables. La tercera punta de conexión a tierra no debe, en ninguna circunstancia, ser cortada o

removida. Nunca use el cable, el enchufe o el aparato cuando muestren algún signo de daño. No use su aparato con un cable de extensión a menos que haya sido revisado y probado por un proveedor de electricidad calificado. La conexión incorrecta del enchufe de conexión a tierra puede provocar riesgo de incendio, descarga eléctrica y/o lesiones a las personas asociadas con el aparato. Consulte con un representante de servicio calificado si tiene dudas de que el aparato está conectado a tierra correctamente.

CONEXIONES ELÉCTRICAS

Antes de conectar el aparato a la toma de corriente, compruebe que:

- La fuente de alimentación corresponde al valor indicado en la placa de características en la parte posterior del deshumidificador.
- La toma de corriente y el circuito eléctrico son adecuados para el deshumidificador.
- La toma coincide con el enchufe. Si este no es el caso, reemplace el enchufe.
- La toma de corriente está adecuadamente conectada a tierra. El incumplimiento de estas importantes instrucciones de seguridad puede provocar lesiones o daños y exime a Global Industrial de toda responsabilidad.



Consulte las regulaciones locales para conocer los procedimientos adecuados de eliminación de residuos. Como recordatorio de la necesidad de desechar los electrodomésticos por separado, el producto está marcado con un cubo de basura con ruedas tachado.

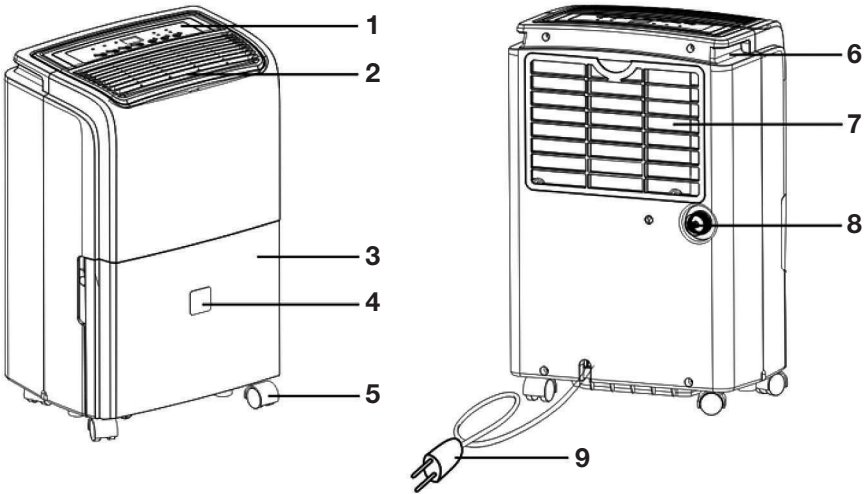
NOTAS SOBRE LA HUMEDAD

El aire siempre contiene una cierta cantidad de agua en forma de vapor. Esto determina el nivel de humedad en una atmósfera. La capacidad del aire para retener el vapor de agua aumenta con la temperatura. Es por eso que, en nuestras casas, tan pronto como la temperatura disminuye, el vapor contenido en el aire se condensa. Esto es evidente en las superficies más frías de la habitación, como las ventanas, paredes, etc. El propósito de un deshumidificador es eliminar el exceso de humedad del aire, evitando los daños causados por la condensación.

Los expertos han establecido que las condiciones ambientales óptimas para nuestro bienestar y para la casa son entre 40% y 60% de humedad relativa. En bajas temperaturas, se recomienda calentar la habitación mínimamente. Esto aumenta considerablemente el poder deshumidificador del aparato. Con el calentamiento, la condensación formada por el vapor de agua en las ventanas y otras superficies frías se evapora en el aire para ser recolectada por el deshumidificador. El aire que sale del deshumidificador es por lo general entre 1 y 2 ° más cálido que la temperatura ambiente.

Deshumidificador portátil de bajo consumo

Desglose de componentes

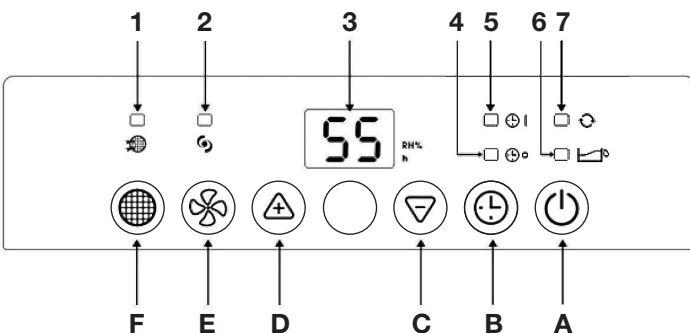
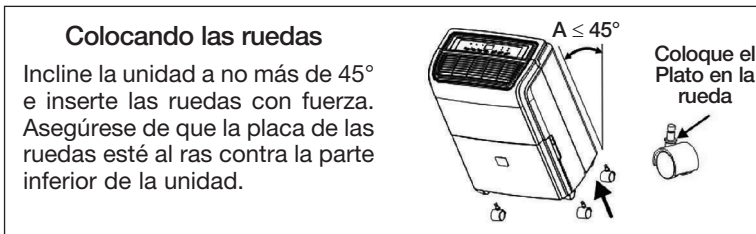
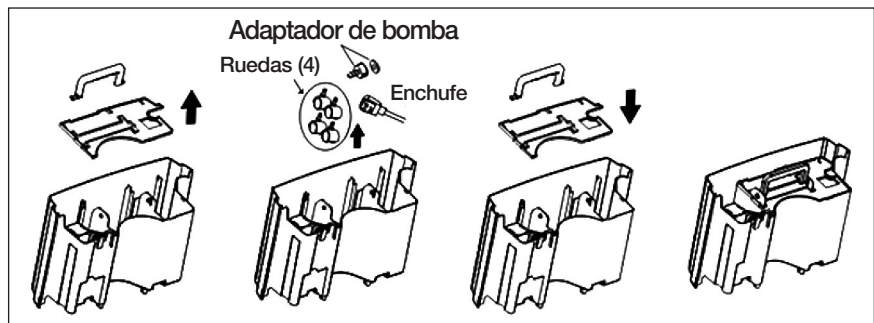
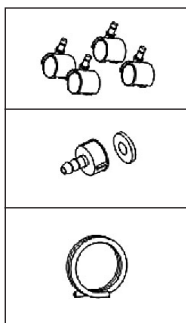


1	Panel de control
2	Salida de aire
3	Cubeta
4	Indicador de nivel de agua
5	Ruedas
6	Manija
7	Rejilla de admisión de aire
8	Agujeros de drenaje
9	Cable de alimentación

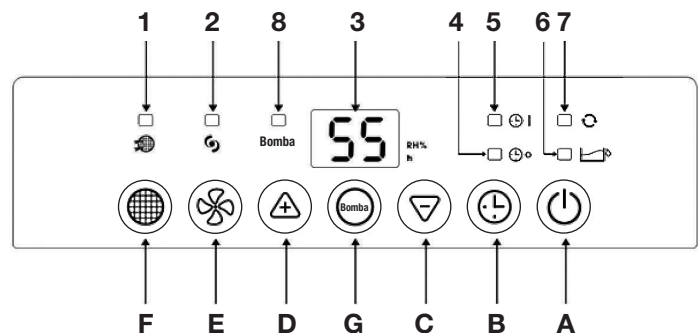
*Nota: Todas las ilustraciones de este manual son solo para fines explicativos. Su unidad puede verse ligeramente diferente.

Antes de usar, retire todos los accesorios de la cubeta: separe la cubeta, abra la tapa, retire el tapón y todos los demás accesorios. Vuelva a instalar la cubierta y vuelva a colocar correctamente la cubeta en el deshumidificador.

Accesorios incluidos:



La figura anterior es para los modelos 246105, 246106 y 246107 (sin bomba)



La figura anterior es para el modelo 246108 (con bomba)

1	Símbolo de limpiar filtro	5	Símbolo de Temporizador "Encendido"	A	Botón de encendido / apagado	E	Botón de velocidad del ventilador
2	Símbolo de alta velocidad del ventilador	6	Alarma de cubeta llena	B	Botón del temporizador	F	Botón de reinicio del filtro
3	Pantalla de visualización	7	Símbolo continuo	C	Botón de disminución	G	Botón de la bomba
4	Símbolo de Temporizador "Apagado".	8	Símbolo de la bomba	D	Botón de aumento		

Deshumidificador portátil de bajo consumo

Ⓞ La fuente de alimentación de encendido/apagado se usa para controlar el arranque o el apagado del deshumidificador.

Ⓐ/Ⓡ Aumente y disminuya el nivel de humedad interior, o ajuste la hora.

- El rango ajustable de humedad es 35%RH-80%RH. La pantalla mostrará la configuración de humedad, y después de unos segundos, gire para mostrar la humedad ambiental.
- Cuando la humedad ambiental sea inferior a la humedad establecida, el compresor dejará de funcionar y, después de unos minutos, el ventilador dejará de funcionar.
- Para ejecutar continuamente, presione el Ⓡ botón hasta que ☐ se muestra en la pantalla y el Ⓞ símbolo de continuo se ilumina.

Ⓢ La velocidad del ventilador se utiliza para seleccionar la velocidad de Baja a Alta. La velocidad es alta cuando se enciende el símbolo Ⓢ.

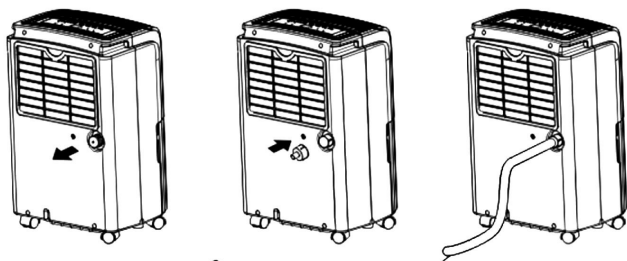
Ⓞ El botón de temporizador se utiliza para retrasar la puesta en marcha o parada. Esto evita el desperdicio de electricidad al optimizar los periodos de operación.

PUESTA EN MARCHA DE PROGRAMACIÓN

- Encienda la máquina y elija el modo; por ejemplo: modo deshumidificación, alta velocidad del ventilador. Apague la máquina.
- Presione el botón del temporizador, la pantalla comenzará a parpadear. Presione el botón Ⓐ/Ⓡ para ajustar la puesta a punto del tiempo 0.5 a 24 horas.
- Después de 5 segundos sin operación, el temporizador comenzará y el símbolo Ⓞ | se iluminará.
- Para cancelar el temporizador, vuelva a presionar el botón del temporizador y el Ⓞ | desaparecerá.

DRENAJE CONTINUO

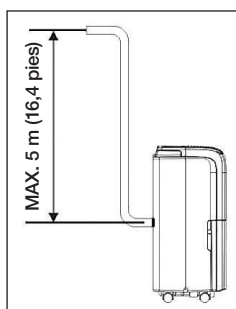
Uso de la bomba incorporada (modelo 246108 solamente)



Adaptador de drenaje — Anillo de sello — Manguera de drenaje

• Conecte el tubo de drenaje en la parte posterior del deshumidificador; esto permitirá que la unidad funcione continuamente sin el uso de la cubeta.

1. Coloque el deshumidificador en una superficie nivelada y desenrosque la tapa en la parte posterior de la unidad.
2. Instale el drenaje y el conector del tapón.
3. Instale el tubo de drenaje en el conector.
4. Presione el botón de Encendido para ejecutar la unidad. Para bomba de drenaje del modelo 246108:
5. Presione el botón "BOMBA" para iniciar la función de drenaje de la bomba, y se encenderá el símbolo "BOMBA". La altura máxima de drenaje de la bomba es de 16.4 pies (5 metros).



ALARMA DE CUBETA LLENA

- Cuando la cubeta está llena, el compresor se apagará y, después de unos minutos, el ventilador se detendrá. La máquina comenzará a emitir un pitido y el símbolo de cubeta llena ☐ parpadeará.
- La unidad no volverá a funcionar hasta que la cubeta se vacíe y se vuelva a colocar correctamente dentro del deshumidificador.
- Limpie la cubeta semanalmente para evitar el crecimiento de moho, hongos y bacterias. Use un detergente suave para limpiar. Asegúrese de que la cubeta esté completamente seca antes de volver a instalarla en el deshumidificador.
- NOTA: Sostenga la cubeta con ambas manos al vaciar.
- NOTA: Cuando la cubeta está llena o se retira de la unidad, el compresor se apagará, pero el ventilador continuará funcionando durante unos minutos. Esto es completamente normal; La máquina no eliminará la humedad del aire en este momento.
- NOTA: Durante el funcionamiento normal, el humidificador expulsará el aire caliente de la parte superior de la unidad.
- PRECAUCIÓN: NO coloque la cubeta en el piso cuando esté llena, ya que la parte inferior está dispuesta y puede causar un derrame.

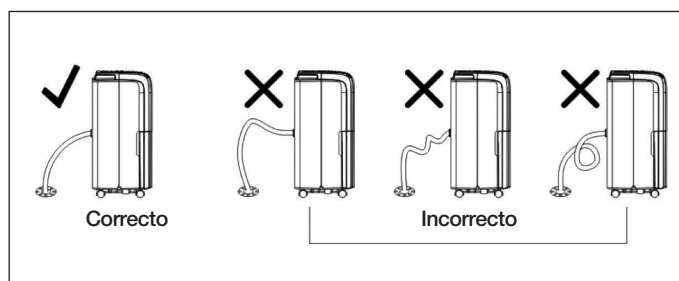
DESCONGELAMIENTO AUTOMÁTICO

Cuando se acumula escarcha en las bobinas del evaporador, el compresor se apagará y el ventilador continuará funcionando hasta que la escarcha desaparece. Cuando las bobinas están completamente descongeladas, el compresor o el ventilador (según el modelo) se reiniciarán automáticamente y la deshumidificación se reanuda.

ENRUTADO CONTINUO DE MANGUERAS DE DRENAJE

Sin bomba (Todos los modelos)

1. Conecte la manguera de jardín roscada de 1 1/16" (no incluida) en el orificio de drenaje de la unidad.
2. Asegúrese de que la manguera esté instalada correctamente; de lo contrario, el agua no se drenará correctamente (vea la imagen a continuación).
3. Use la gravedad para drenar el agua a un desagüe cercano u otro lugar.



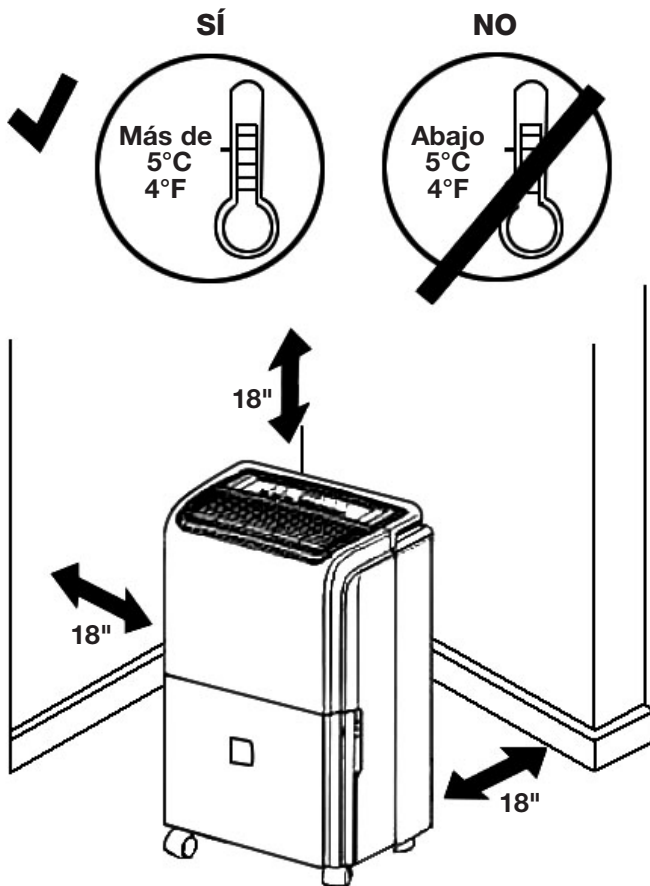
- Si no se necesita la función de drenaje continuo, instale la tapa en el orificio de drenaje en la parte posterior de la unidad y el agua fluirá hacia el cubo.

NOTA: Asegúrese de colocar la unidad en una superficie nivelada, de lo contrario, el agua no se drenará correctamente.

Deshumidificador portátil de bajo consumo

REQUISITOS DE UBICACIÓN

Nota: La operación en el sótano tendrá poco o ningún efecto en secar un área cerrada adyacente, como un armario, a menos que haya una circulación adecuada de aire dentro y fuera del área.



- Esta unidad está diseñada para uso en interiores solamente.
- Coloque el deshumidificador en una superficie nivelada del piso que sea lo suficientemente fuerte como para sostener la unidad con una cubeta llena de agua.
- Permita que fluyan por lo menos 18 pulgadas de aire en todos los lados.
- Coloque la unidad en un área donde la temperatura no caiga por debajo de 41 ° F (5 ° C).
- Utilice el deshumidificador en áreas de humedad excesiva, como sótanos, cocinas, cuartos de lavado y baños.
- Mantenga el deshumidificador alejado de la secadora de ropa.
- El deshumidificador debe operarse en un área cerrada para que sea más efectivo. Cierre todas las puertas, ventanas y cualquier otra abertura exterior para obtener mejores resultados.

LIMPIEZA Y MANTENIMIENTO

⚠ ADVERTENCIA

Antes de la limpieza y el mantenimiento, apague el panel de control del deshumidificador. Espere unos minutos y luego desconecte la unidad del tomacorriente. No hacerlo aumenta el riesgo de descarga eléctrica o incendio.

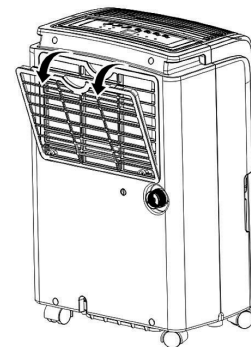
El tanque de recolección de agua del deshumidificador debe limpiarse con jabón y agua tibia o un detergente suave con frecuencia. El moho y los hongos pueden acumularse rápidamente, y cuando se encuentran dentro de un tanque deshumidificador, pueden dispersarse en el aire, lo que afecta la calidad del aire.

Varias veces por temporada, use una aspiradora con un cepillo para limpiar las rejillas de admisión y escape. La acumulación de polvo y escombros puede causar obstrucciones que pueden deteriorar la unidad.

Filtro de limpieza

Para que el aparato funcione de manera eficiente, se recomienda limpiar el filtro cada semana de funcionamiento:

- Use una aspiradora con un cepillo para eliminar la acumulación de polvo del filtro.
- Si el filtro está muy sucio, sumérgalo en agua tibia y enjuague varias veces. La temperatura del agua nunca debe estar a más de 104 ° F (40 ° C). Deje que el filtro se seque completamente antes de volver a colocarlo en el deshumidificador.



Mantenimiento y almacenamiento al final de la temporada


- Apague la alimentación y desconéctela del tomacorriente.
- Vaciar la cubeta.
- Retire la tapa y drene el agua restante en un recipiente.
- Cuando se haya drenado toda el agua, vuelva a colocar la tapa en su lugar.
- Limpie el filtro y séquelo bien antes de volver a instalarlo.
- Cubra el aparato para protegerlo contra el polvo.
- Almacene el deshumidificador en posición vertical en un lugar seco.

Inicio de las revisiones de temporada

- Inspeccione el deshumidificador para detectar signos de daños.
- Inspeccione el cable de alimentación y el enchufe para detectar signos de daños.
- Siga las instrucciones de instalación con precisión.
- Comuníquese con el Servicio al cliente de Global Industrial al 1-800-645-2986 para preguntas y consultas.

Deshumidificador portátil de bajo consumo

SOLUCIÓN DE PROBLEMAS

Problema	Causa posible	Solución
Deshumidificador no enciende.	El deshumidificador está desconectado.	Asegúrese de que el enchufe del deshumidificador esté completamente insertado en la toma de corriente.
	El fusible está fundido/se disparó el disyuntor (breaker).	Revise la caja de fusibles/disyuntores de la casa y reemplace el fusible o reinicie el disyuntor.
	El deshumidificador ha alcanzado su nivel actual. o la cubeta está llena.	El deshumidificador se apaga automáticamente cuando ocurre cualquiera de las dos condiciones. Cambie a un ajuste más bajo o vacíe la cubeta de agua y reemplácela adecuadamente.
	La cubeta no está en la posición correcta.	La cubeta debe estar en su lugar y bien asentada para que el deshumidificador funcione.
	Fallo de alimentación.	Hay un retraso de tiempo de protección (hasta 3 minutos) para evitar el disparo de la sobrecarga del compresor. Por este motivo, es posible que la unidad no inicie el funcionamiento normal durante 3 minutos, después de que se encienda de nuevo.
Deshumidificador no seca el aire como debería.	No hay suficiente tiempo para que la unidad elimine la humedad.	Cuando se instala por primera vez, espere por lo menos 24 horas para llegar a la sequedad deseada.
	El flujo de aire está restringido.	Hay un retraso de tiempo de protección (hasta 3 minutos) para evitar el disparo de la sobrecarga del compresor. Por este motivo, es posible que la unidad no inicie el funcionamiento normal durante 3 minutos, después de que se encienda de nuevo.
	Filtro sucio	Vea la sección de limpieza de filtro de este Manual para más información.
	El control de humedad no puede establecerse lo suficientemente bajo.	Para aire más seco, presione el  botón para disminuir el porcentaje de humedad deseado en la habitación, o configure el deshumidificador para deshumidificar al máximo.
	Las puertas y ventanas pueden que no estén bien cerradas.	Compruebe que todas las puertas, ventanas y otras aberturas están bien cerradas.
	La secadora de ropa puede estar soplando aire húmedo en la habitación.	Instale el deshumidificador lejos de la secadora. La secadora debe tener salida de ventilación afuera.
	La temperatura de la habitación es demasiado baja.	La eliminación de la humedad es mejor a temperaturas ambiente más altas. Las temperaturas más bajas de la habitación reducirán la tasa de eliminación de humedad. Este deshumidificador está diseñado para funcionar a temperaturas superiores a 5 °C (41 °F).
El aparato funciona por mucho tiempo.	El área es demasiado grande.	La capacidad del aparato no cubre el área de la habitación.
	Las puertas y ventanas están abiertas.	Cierre todas las puertas y ventanas.
Aparece escarcha en el intercambiador de calor.	EL aparato ha sido operado recientemente o La temperatura ambiente es demasiado baja.	Esto es normal, la escarcha suele desaparecer en los siguientes 60 minutos.
Ruido del ventilador	El aire pasa a través del aparato.	Este sonido es normal.
Agua en el suelo.	Las conexiones de drenaje no están bien sujetas. El deshumidificador no está en una superficie nivelada.	Revise la conexión del drenaje en busca de fugas y asegure adecuadamente. Asegúrese de que el aparato esté funcionando en una superficie nivelada.

Si aparece alguno de los siguientes códigos de error, comuníquese con un departamento de servicio postventa certificado para una inspección y/o reparación. Para obtener información adicional, comuníquese con el Servicio al cliente de Global Industrial al 1-800-645-2986.

Código	Descripción
P1	Cubeta salida
Eh	Fallo del sensor de humedad
E1	Fallo del sensor de temperatura
E2	
E3	Fuga de gas

- El código P1 se aplica únicamente al modelo 246108 (con bomba).
- Si aparece el código E3, verifique si la temperatura ambiente es superior a 90°F (32°C). Si este es el caso, reubique el deshumidificador en una ubicación por debajo de 86°F (30°C) y deje reposar durante 2 horas antes de volver a encenderlo. Encienda la unidad de nuevo; Si sigue apareciendo el código E3, comuníquese con un departamento de servicio o con el Servicio de atención al cliente de Global Industrial al 1-800-645-2986 para obtener más instrucciones.

User's manual
Manual del usuario
Manuel de l'utilisateur

 Customer Service
 US: 1-800-645-2986

 Servicio de atención al Cliente
 US: 1-800-645-2986

 Service à la clientèle
 Canada: 888-645-2986

Déshumidificateur portable à haute efficacité énergétique

Modèle 246105
Déshumidificateur
de 30 litres

Modèle 246106
Déshumidificateur
de 50 litres

Modèle 246107
Déshumidificateur
de 70 litres

Modèle 246108
Déshumidificateur de 70
litres avec pompe intégrée



Merci de lire l'intégralité du manuel.
Conservez ce mode d'emploi pour
référence ultérieure

⚠ AVERTISSEMENT

- NE laissez PAS des enfants ou des personnes non qualifiées utiliser ce déshumidificateur.
- Débranchez l'appareil de sa source d'alimentation avant le nettoyage, l'entretien ou le remplacement de pièces.
- Débranchez tous les circuits d'alimentation avant d'accéder aux bornes.
- N'essayez JAMAIS de brancher ou faire fonctionner un déshumidificateur dont des fils, le cordon d'alimentation ou la fiche de cordon d'alimentation sont défectueux ou endommagés. Toutes les pièces défectueuses doivent être remplacées immédiatement par un technicien qualifié en utilisant des pièces de rechange d'origine.
- Vérifiez sur la plaque signalétique le type de gaz réfrigérant utilisé dans l'appareil. Les opérations d'entretien et d'élimination doivent être effectuées par du personnel qualifié.
- Ce système hermétiquement scellé contient des gaz à effet de serre fluorés couverts par le protocole de Kyoto.
- N'endommagez PAS le circuit de refroidissement de la machine.
- N'utilisez PAS cet appareil pour des fonctions autres que celles décrites dans ce manuel.
- Assurez-vous que la fiche d'alimentation est fermement et complètement branchée dans la prise. Cela évitera les risques de choc électrique ou d'incendie.
- NE branchez PAS d'autres appareils dans la même prise. Cela pourrait entraîner un risque de choc électrique.

- NE démontez ou modifiez PAS l'appareil ni aucune de ses pièces. Cela risquerait de provoquer un choc électrique ou un incendie. Tous les services doivent être confiés à un technicien qualifié.
- NE placez PAS le cordon d'alimentation ou le déshumidificateur à proximité d'un appareil de chauffage, d'un radiateur ou de toute autre source de chaleur. Cela risquerait de provoquer un choc électrique ou un incendie.
- Cet appareil est équipé d'un cordon dont le fil de terre est relié à une broche ou à une languette de mise à la terre. La fiche doit être branchée sur une prise correctement installée et mise à la terre. En aucun cas, vous devez couper ou enlever la broche ou la languette de mise à la terre de la fiche.
- L'appareil doit être utilisé ou entreposé de manière à le protéger de l'humidité, de la condensation, de l'eau, etc.
- Transportez TOUJOURS votre appareil en position verticale et placez-le sur une surface stable et plane pendant l'utilisation. Si vous transportez l'appareil sur le côté, veillez à ce qu'il reste débranché pendant 6 heures avant de l'utiliser.
- Utilisez TOUJOURS l'interrupteur du panneau de commande ou de la télécommande pour allumer / éteindre l'appareil. NE démarrez PAS ou N'arrêtez PAS le fonctionnement en branchant ou en débranchant le cordon d'alimentation. Cela pourrait entraîner un risque de choc électrique.
- N'appuyez pas sur les boutons du panneau de commande avec autre chose que vos doigts

Déshumidificateur portable à haute efficacité énergétique

- N'utilisez PAS de produits chimiques dangereux pour nettoyer ou entrer en contact avec l'appareil. Pour éviter d'endommager la finition de la surface, utilisez uniquement un chiffon doux pour nettoyer l'appareil. N'utilisez PAS de solvants ni de détergents puissants.
- N'utilisez l'appareil en présence de substances ou de vapeurs inflammables telles que de l'alcool, des insecticides, ou de l'essence.
- Si l'appareil émet des bruits inhabituels ou émet de la fumée ou une odeur inhabituelle, débranchez-le immédiatement.
- NE nettoyez PAS l'appareil avec de l'eau. L'eau peut pénétrer dans l'appareil et endommager l'isolation, créant un risque de choc électrique. Si de l'eau pénètre dans l'appareil, débranchez-le immédiatement et contactez le service à la clientèle de Global Industrial au 1-800-645-2986.
- Faites appel à deux personnes ou plus pour soulever et installer l'appareil.
- Assurez-vous que tous les accessoires sont retirés de l'emballage avant l'installation et l'utilisation.
- Évitez tout contact avec les pièces métalliques de l'appareil lors du retrait ou de la réinstallation du filtre.
- NE bloquez PAS l'entrée ou la sortie d'air du déshumidificateur. Un débit d'air réduit entraînerait des performances médiocres et pourrait endommager l'appareil.
- Saisissez TOUJOURS la fiche lorsque vous branchez ou débranchez l'appareil. Débrancher l'appareil en tirant sur le cordon peut présenter un risque de choc électrique et de dommage.
- Installez le déshumidificateur sur une surface solide et plane capable de supporter jusqu'à 110 lb. (50kg). L'installation sur une surface faible ou non plane peut entraîner des dommages matériels et des blessures.
- Fermez toutes les portes et les fenêtres de la pièce pour un fonctionnement efficace.



CAN ICES-3 (B)/NMB-3(B)

AVERTISSEMENT DE LA FCC:

Cet appareil est conforme à la section 15 de la réglementation de la FCC. Son fonctionnement est soumis aux deux conditions suivantes : (1) Cet appareil ne doit pas causer d'interférences nuisibles et (2) cet appareil doit accepter toutes les interférences reçues, y compris celles pouvant entraîner un fonctionnement non souhaité. Tout changement ou modification non expressément approuvé par la partie responsable de la conformité pourrait annuler l'autorité de l'utilisateur à faire fonctionner l'équipement.

IMPORTANT - MÉTHODE DE MISE À LA TERRE

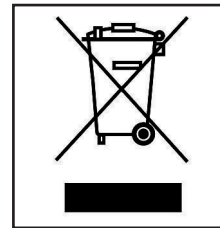
Ce produit est équipé en usine d'un cordon d'alimentation électrique muni d'une fiche de terre à trois broches. Il doit être branché dans une prise à trois trous avec une mise à la terre correspondante conformément au code national de l'électricité et aux codes et ordonnances locaux applicables. Si le circuit ne comporte pas de prise de type mise à la terre, le client a la responsabilité et l'obligation d'échanger la prise existante conformément au code national de l'électricité et aux codes et ordonnances

locaux en vigueur. La troisième broche de mise à la terre ne doit en aucun cas être coupée ou enlevée. N'utilisez jamais le cordon, la fiche ou l'appareil quand ils montrent des signes de dommages. N'utilisez pas votre appareil avec une rallonge à moins qu'il n'ait été vérifié et testé par un fournisseur de matériel électrique qualifié. Une mauvaise connexion de la fiche de terre peut entraîner un risque d'incendie, de choc électrique et / ou de blessure aux personnes associées à cet appareil. En cas de doute quant à la bonne mise à la terre de l'appareil, il faut s'adresser à un représentant de service qualifié.

CONNECTIONS ELECTRIQUES

Avant de brancher l'appareil à la prise, vérifiez les points suivants:

- L'alimentation électrique correspond à la valeur indiquée sur la plaque signalétique au dos du déshumidificateur.
- La prise de courant et le circuit électrique conviennent au déshumidificateur.
- La prise correspond à la fiche. Si ce n'est pas le cas, faites remplacer la fiche.
- La prise est correctement mise à la terre. Le non-respect de ces consignes de sécurité importantes peut entraîner des blessures ou des dommages et exonérer Global Industrial de toute responsabilité.



Consultez les réglementations locales pour connaître les procédures appropriées d'élimination des déchets. Pour rappeler la nécessité d'éliminer séparément les appareils ménagers, le produit est marqué d'une poubelle à roues barrée.

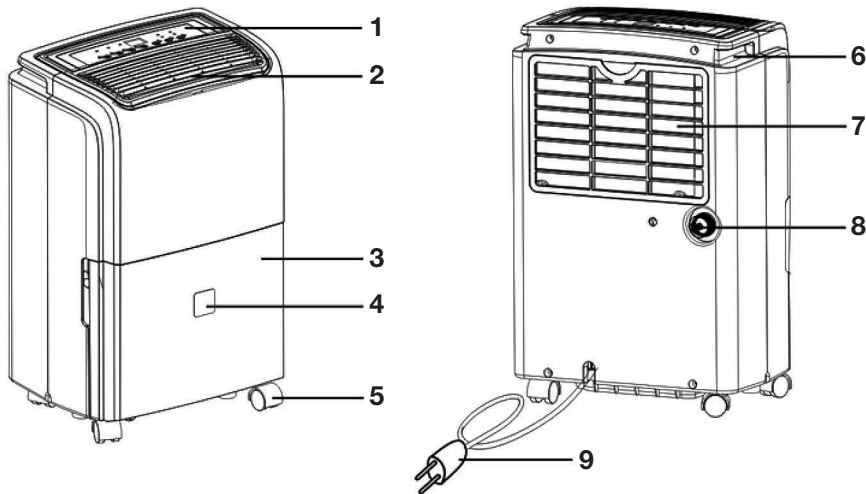
NOTES SUR L'HUMIDITÉ

L'air contient toujours une certaine quantité d'eau sous forme de vapeur. Ceci détermine le niveau d'humidité dans l'atmosphère. La capacité de l'air à retenir la vapeur d'eau augmente avec la température. C'est pourquoi dans nos maisons, dès que la température diminue, la vapeur contenue dans l'air se condense. Ceci est évident sur les surfaces les plus froides de la pièce, telles que les fenêtres, les murs, etc. Le but d'un déshumidificateur est d'éliminer l'excès d'humidité de l'air afin d'éviter les dommages causés par la condensation.

Les experts ont établi que les conditions environnementales optimales pour notre bien-être et pour la maison sont comprises entre 40% et 60% d'humidité relative. À basses températures, il est recommandé de chauffer la pièce au minimum. Cela augmente considérablement la puissance de déshumidification de l'appareil. Avec le chauffage, la condensation formée par la vapeur d'eau sur les fenêtres et autres surfaces froides s'évapore dans l'air pour être collectée par le déshumidificateur. L'air sortant du déshumidificateur est généralement d'environ 1 à 2°C plus chaud que la température ambiante.

Déshumidificateur portable à haute efficacité énergétique

RÉPARTITION DES COMPOSANTS

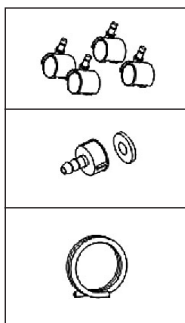


1	Panneau de contrôle
2	Sortie d'air
3	Sceau
4	Indicateur de niveau d'eau
5	Roulettes
6	Poignée
7	Grille d'entrée d'air
8	Trous de drainage
9	Cordon d'alimentation

*Remarque : toutes les illustrations de ce manuel sont données uniquement à titre explicatifs. Votre appareil pourrait être légèrement différent.

Avant de l'utiliser, retirez tous les accessoires du seau : détachez le seau, ouvrez le couvercle, retirez la fiche et tous les autres accessoires. Réinstallez le couvercle et rattachiez correctement le seau dans le déshumidificateur.

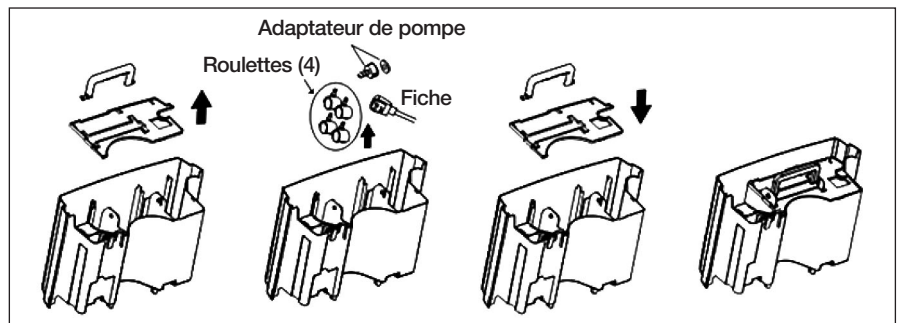
Accessoires inclus:



Roulettes (4)

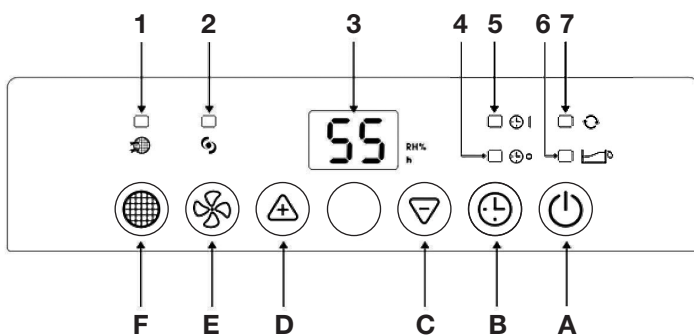
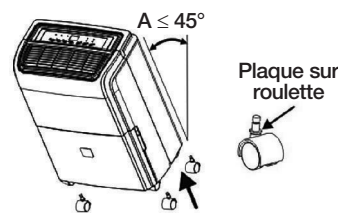
Adaptateur de pompe
(pour le modèle 246108
uniquement)

Tuyau de drainage
(pour le modèle 246108
uniquement)

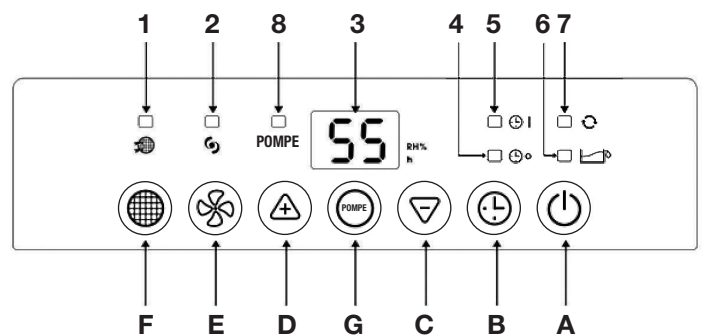


Fixation des roulettes

Inclinez l'appareil pas plus que 45° et insérez les roulettes avec force. Assurez-vous que la plaque des roulettes affleure le bas de l'appareil.



La figure ci-dessus concerne les modèles 246105, 246106 et 246107 (sans pompe)



La figure ci-dessus concerne le modèle 246108 (avec pompe)

1	Symbole de nettoyage du filtre	5	Symbole de la minuterie « Marche »	A	Bouton marche / arrêt	E	Bouton de vitesse du ventilateur
2	Symbole de vitesse élevée du ventilateur	6	Alarme de seau pleine	B	Bouton de al minuterie	F	Bouton de réinitialisation du filtre
3	Écran d'affichage	7	Symbole de continu	C	Bouton de diminution	G	Bouton de pompe
4	Symbole de minuterie « Arrêt »	8	Symbole de pompe	D	Bouton d'augmentation		

Déshumidificateur portable à haute efficacité énergétique

⊕ L'alimentation électrique Marche / Arrêt est utilisée pour contrôler le démarrage ou l'arrêt du déshumidificateur.

⬆/⬇ Augmenter et diminuer le niveau d'humidité à l'intérieur ou régler l'heure.

- La plage d'humidité réglable est de 35% HR à 80% HR. L'écran affichera le réglage d'humidité et, après quelques secondes, changera pour afficher l'humidité ambiante.
- Lorsque l'humidité ambiante est inférieure à celle définie, le compresseur s'arrête et, après quelques minutes, le ventilateur s'arrête.
- Pour un fonctionnement en continue, appuyez sur le bouton ⬇ jusqu'à ce que ☐ apparaisse à l'écran et que le ⌚ symbole de continu s'allume.

⊗ La vitesse du ventilateur est utilisée pour sélectionner la vitesse de faible à élevée. La vitesse est élevée lorsque le symbole ⌚ s'allume.

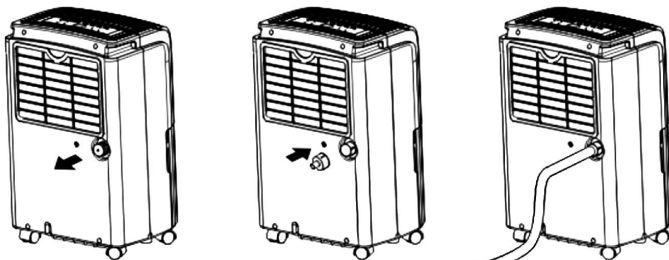
⌚ Le bouton de minuterie sert à retarder le démarrage ou l'arrêt. Cela évite de gaspiller de l'électricité en optimisant les périodes de fonctionnement.

DÉMARRAGE DE LA PROGRAMMATION

- Mettre la machine en marche et choisir le mode; par exemple: mode de déshumidification, vitesse élevée du ventilateur. Éteignez la machine.
- Appuyez sur le bouton de la minuterie, l'écran commencera à clignoter. Appuyez sur les boutons ⬆/⬇ pour régler l'heure de 0,5 à 24 heures.
- Après 5 secondes sans opération, la minuterie commencera et le symbole ⌚ s'allumera.
- Pour annuler la minuterie, appuyez à nouveau sur le bouton de la minuterie et le ⌚ disparaîtra.

DRAINAGE CONTINU

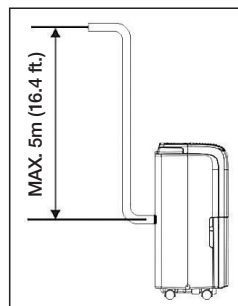
Utilisation de la pompe intégrée (modèle 246108 uniquement)



Adaptateur de drainage — Bague d'étanchéité — Tuyau de drainage

• Raccordez le tuyau de drainage à l'arrière du déshumidificateur; cela permettra à l'appareil de fonctionner en continu sans l'utilisation du seau.

1. Placez le déshumidificateur sur une surface plane et dévissez le capuchon situé à l'arrière de l'appareil.
2. Installez le connecteur de drainage et de joint.
3. Installez le tuyau de drainage sur le connecteur.
4. Appuyez sur le bouton d'alimentation pour faire fonctionner l'appareil. Pour le drainage de pompe modèle 246108:
5. Appuyez sur le bouton «POMPE» pour démarrer la fonction de drainage de la pompe. Le symbole «POMPE» s'allumera. La hauteur maximale de drainage de la pompe est de 5 mètres (16.4 ft).



ALARME DU SEAU PLEIN

- Lorsque le seau est plein, le compresseur s'arrêtera et après quelques minutes, le ventilateur s'arrêtera. La machine commencera à émettre un bip et le symbole du seau plein ☑ clignotera.
- L'appareil ne fonctionnera plus avant que le seau ne soit vidé et correctement replacé dans le déshumidificateur.
- Nettoyez le seau toutes les semaines pour éviter la formation de moisissures, champignons et de bactéries. Utilisez un détergent doux pour nettoyer. Assurez-vous que le seau est complètement sec avant de le réinstaller dans le déshumidificateur.
- REMARQUE : tenez le seau avec deux mains lors de la vidange.
- REMARQUE : lorsque le seau est plein ou retiré de l'appareil, le compresseur s'arrêtera mais le ventilateur continuera de fonctionner pendant quelques minutes. C'est tout à fait normal; la machine ne va pas éliminer l'humidité de l'air pour le moment.
- REMARQUE: en fonctionnement normal, l'humidificateur évacuera de l'air chaud par le haut de l'appareil.
- ATTENTION: NE PLACEZ PAS le seau sur le sol lorsqu'il est plein car le fond est inégal et pourrait causer des déversements.

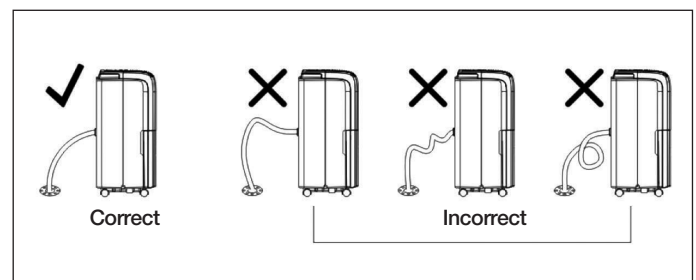
DÉGIVRAGE AUTOMATIQUE

Lorsque le givre s'accumule sur les serpentins de l'évaporateur, le compresseur s'arrêtera et le ventilateur continuera de fonctionner jusqu'à ce que le givre disparaisse. Lorsque les serpentins sont complètement dégivrés, le compresseur ou le ventilateur (selon le modèle) redémarrera automatiquement et la déshumidification reprendra.

ACHEMINEMENT DU TUYAU DE DRAINAGE CONTINU

Sans pompe (tous les modèles)

1. Raccordez un tuyau d'arrosage de jardin fileté de 1/16" (non fourni) au trou d'évacuation de l'appareil.
2. Assurez-vous que le tuyau est correctement installé, sinon l'eau ne s'écoulera pas correctement (voir l'image ci-dessous).
3. Utilisez la gravité pour évacuer l'eau vers un égout ou un autre endroit.



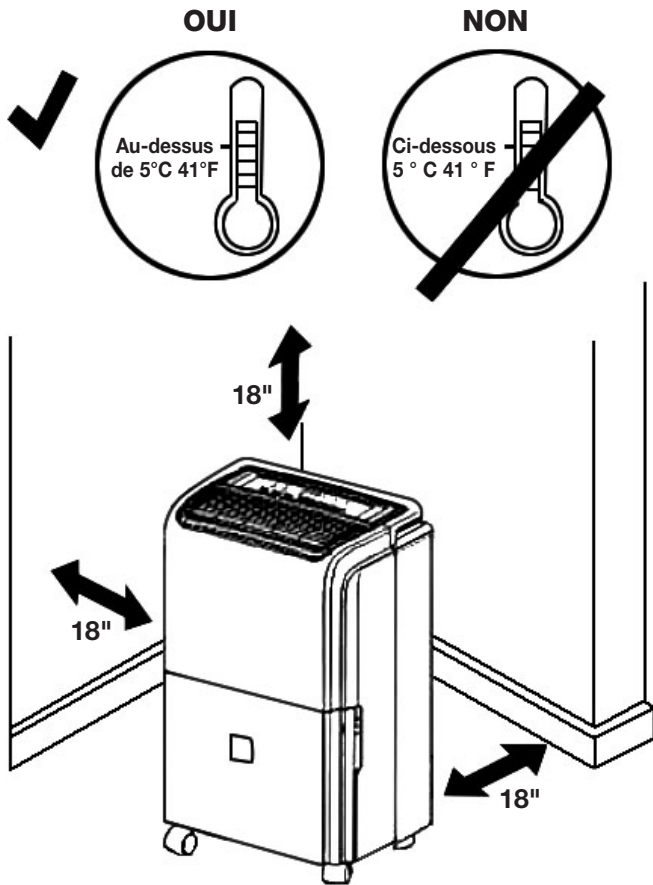
- Si la fonction de vidange continue n'est pas nécessaire, installez le capuchon sur l'orifice de vidange à l'arrière de l'appareil et l'eau coulera dans le seau.

REMARQUE: Assurez-vous que l'unité est placée sur une surface plane, sinon l'eau ne s'écoulera pas correctement

Déshumidificateur portable à haute efficacité énergétique

EXIGENCES DE LOCALISATION

Remarque: le fonctionnement du sous-sol n'aura que peu d'effet sur l'assèchement d'un espace fermé adjacent, tel qu'un placard, à moins d'une circulation d'air suffisante à l'intérieur et à l'extérieur de l'espace.



- Cet appareil est conçu pour une utilisation intérieure uniquement.
- Placez le déshumidificateur sur une surface du sol plane suffisamment solide pour supporter l'appareil avec un seau plein de l'eau.
- Laissez circuler au moins 18 pouces d'air de tous les côtés.
- Placez l'appareil dans un endroit où la température ne tombera pas en dessous de 5°C (41°F).
- Utilisez le déshumidificateur dans les zones d'humidité excessive, telles que les sous-sols, les cuisines, les buanderies et les salles de bain.
- Gardez le déshumidificateur à l'écart de la sécheuse.
- Le déshumidificateur doit être utilisé dans un endroit fermé pour être le plus efficace possible. Fermez toutes les portes, fenêtres et autres ouvertures extérieures pour obtenir les meilleurs résultats.

NETTOYAGE ET ENTRETIEN

⚠ AVERTISSEMENT

Avant le nettoyage et l'entretien, couper le courant sur le panneau de commande du déshumidificateur. Attendez quelques minutes puis débranchez l'appareil de la prise. Ne pas le faire augmente les risques de choc électrique ou d'incendie.

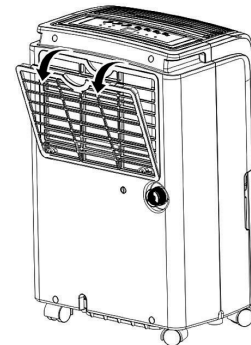
Le réservoir collecteur d'eau du déshumidificateur doit être nettoyé fréquemment avec du savon et de l'eau chaude ou un détergent doux. Les moisissures et les champignons peuvent s'accumuler rapidement et, lorsqu'elles se trouvent dans un réservoir de déshumidificateur, elles peuvent se disperser dans l'air et affecter la qualité de l'air.

Plusieurs fois par saison, utilisez un aspirateur muni d'une brosse pour nettoyer les grilles d'admission et d'échappement. L'accumulation de poussière et de débris peut provoquer des blocages pouvant entraîner une détérioration de l'appareil.

Filtre de nettoyage

Pour que l'appareil fonctionne efficacement, il est recommandé de nettoyer le filtre toutes les semaines de fonctionnement:

- Utilisez un aspirateur muni d'une brosse pour éliminer la poussière accumulée dans le filtre.
- Si le filtre est très sale, plongez-le dans de l'eau chaude et rincez-le plusieurs fois. La température de l'eau ne doit jamais être supérieure à 40°C (104°F). Laissez le filtre sécher complètement avant de le remettre dans le déshumidificateur.



Entretien et stockage de fin de saison


- Coupez le courant et débranchez-le de la prise.
- Videz le seau.
- Retirez le bouchon et drainez l'eau restante dans un bassin.
- Lorsque toute l'eau a été drainée, remettez le bouchon en place.
- Nettoyer le filtre et bien le sécher avant de le réinstaller.
- Couvrez l'appareil pour le protéger de la poussière.
- Stocker le déshumidificateur à la verticale dans un endroit sec.

Vérifications de début de saison

- Inspectez le déshumidificateur pour détecter des signes de dommages.
- Inspectez le câble d'alimentation et la fiche pour détecter des signes de dommages.
- Suivez les instructions d'installation avec précision.
- Veuillez contacter le service à la clientèle de Global Industrial au 1-800-645-2986 pour les questions et demandes de renseignements.

Déshumidificateur portable à haute efficacité énergétique

RÉSOLUTION DES PROBLÈMES

Problème	Cause possible	Solution
Le déshumidificateur ne démarre pas.	Le déshumidificateur est débranché.	Assurez-vous que la fiche du déshumidificateur est complètement enfoncée dans la prise.
	Le fusible a sauté / le disjoncteur est déclenché.	Vérifiez la boîte à fusibles / disjoncteur de la maison et remplacez le fusible ou réinitialisez le disjoncteur.
	Le déshumidificateur a atteint son niveau actuel ou le seau est plein.	Le déshumidificateur s'éteint automatiquement lorsque l'une ou l'autre de ces conditions se produit. Passez à un réglage inférieur ou videz le seau d'eau et remplacez-le correctement.
	Le seau n'est pas dans la bonne position.	Le seau doit être en place et bien installé pour que le déshumidificateur puisse fonctionner.
	Panne de courant	Il y a un délai de protection (jusqu'à 3 minutes) pour éviter le déclenchement de la surcharge du compresseur. Pour cette raison, l'appareil peut ne pas démarrer son fonctionnement normal avant 3 minutes après la remise sous tension.
Le déshumidificateur ne sèche pas l'air comme il se doit.	Pas assez de temps accordé à l'appareil pour éliminer l'humidité.	Lors de la première installation, attendez au moins 24 heures pour maintenir la sécheresse désirée.
	Le débit d'air est limité.	Assurez-vous qu'il n'y a pas de rideaux, stores ou meubles qui bloquent l'avant ou l'arrière du déshumidificateur. Veuillez consulter la section de ce manuel intitulée exigences relatives à l'emplacement pour plus d'informations.
	Filtre sale	Veuillez consulter la section de ce manuel intitulée nettoyage du filtre pour plus d'informations.
	Le régulateur de l'humidité ne peut pas être réglé assez bas.	Pour un air plus sec, appuyez sur  le bouton pour diminuer le pourcentage d'humidité souhaité dans la pièce ou réglez le déshumidificateur pour déshumidifier au maximum.
	Les portes et les fenêtres ne peuvent pas être fermées hermétiquement.	Vérifiez que toutes les portes, fenêtres et autres ouvertures sont bien fermées.
	La sécheuse peut souffler de l'humidité dans l'air dans la pièce.	Installez le déshumidificateur loin de la sécheuse. La sécheuse doit être ventilée à l'extérieur.
	La température ambiante est trop basse.	L'élimination de l'humidité est préférable à des températures ambiantes plus élevées. Des températures ambiantes inférieures réduiront le taux d'élimination de l'humidité. Ce déshumidificateur est conçu pour fonctionner à des températures supérieures à 5°C (41°F).
L'appareil fonctionne trop longtemps.	La surface est trop grande.	La capacité de l'appareil ne peut pas satisfaire la surface de la pièce.
	Les portes et les fenêtres sont ouvertes.	Fermez toutes les portes et les fenêtres.
Le givre apparaît sur l'échangeur thermique.	L'appareil a été mis en service récemment ou la température ambiante est trop basse.	Ceci est normal, le gel disparaît généralement dans les 60 minutes.
Bruit du ventilateur	L'air traverse l'appareil.	Ce son est normal.
De l'eau sur le sol	Les raccords de drainage ne sont pas correctement fixés. Le déshumidificateur n'est pas sur une surface plane.	Vérifiez que le raccord de drainage ne fuit pas et fixez-le correctement. Assurez-vous que l'appareil fonctionne sur une surface plane.

Si l'un des codes d'erreur suivants apparaît, contactez un service après-vente certifié pour une inspection et / ou une réparation. Pour plus d'informations, contactez le service à la clientèle de Global Industrial au 1-800-645-2986.

Code	Description
P1	Seau enlevé
EH	Défaillance du capteur d'humidité
E1	Défaillance du capteur de température
E2	
E3	Fuite de gaz

- Le code P1 s'applique uniquement au modèle 246108 (avec pompe).
- Si le code E3 apparaît, vérifiez si la température ambiante est supérieure à 32°C (90°F). Si tel est le cas, déplacez le déshumidificateur dans un endroit situé en dessous de 30°C et laissez-le reposer pendant 2 heures avant de le faire fonctionner à nouveau. Redémarrez l'appareil; si le code E3 apparaît toujours, contactez un service d'entretien ou le service à la clientèle de Global Industrial au 1-800-645-2986 pour obtenir des instructions supplémentaires.