

User's manual	Manual del usuario	Manuel de l'utilisateur
Customer Service US: 1-800-645-2986	Servicio de atención al Cliente US: 1-800-645-2986	Service à la clientèle Canada: 888-645-2986

# Replacement Activation Button Assembly, Side & Front, For 761218

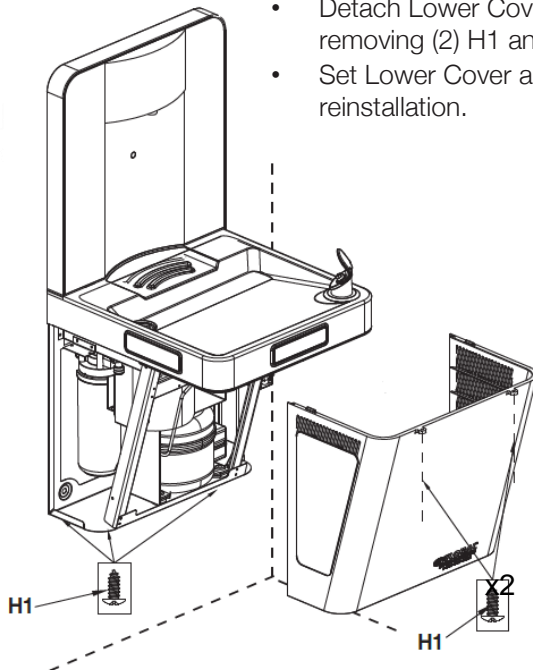


Read this manual thoroughly prior to installation, operation or maintenance. Keep these instructions in a safe location for future reference. For questions, visit [globalindustrial.com](http://globalindustrial.com) or contact Customer Service at 1-800-645-2982.

1

## Remove Lower Cover

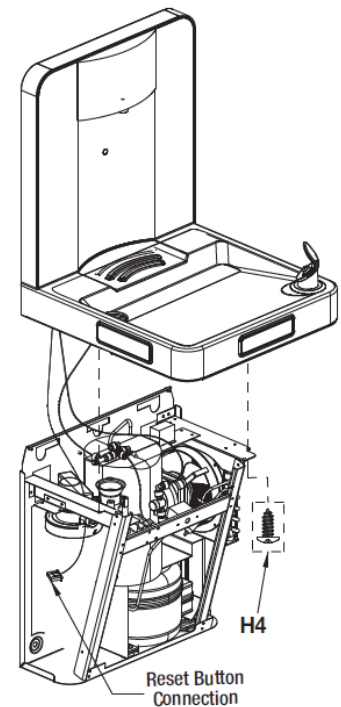
- Remove (4) H1 anti-theft screws at the bottom of the Lower Cover.
- Detach Lower Cover from Stainless Pan by removing (2) H1 anti-theft screws.
- Set Lower Cover aside and save screws for reinstallation.



2

## Detach Stainless Pan from Cooling System

- Remove (2) H4 screws from underneath Stainless Pan.
- Disconnect water lines and wire connections by following the reverse steps as stated on page 6 of 761218 manual.



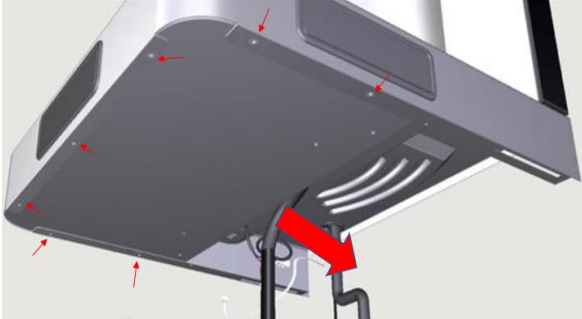
\*H1: M4 x 8mm Lg. Torx an Head Anti-Theft Screw

\*H4: ST4.2x 12. Phillips Pan Head Screw

**3**

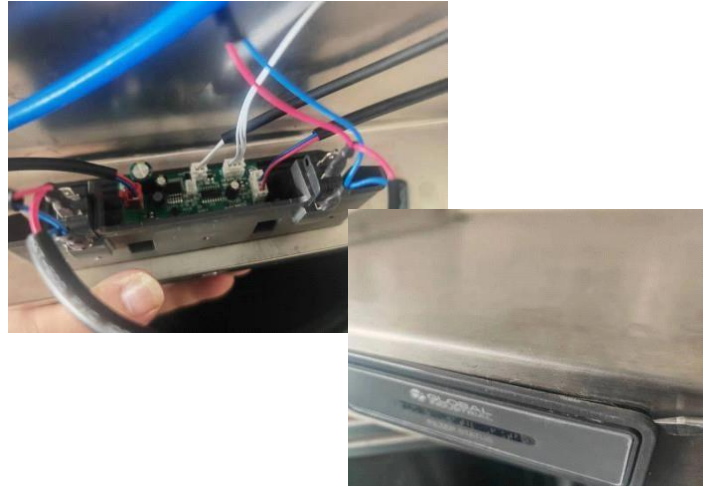
### Remove Bottom Plate from Stainless Pan

- Remove (6) screws from underneath Stainless Pan.
- Remove the SUS plate

**4**

### Remove Front Button

- Remove wire connections on Front Button
- Use a flat screwdriver to detach Front Button

**5**

### Replace New Button

- Push Replacement Button into the slot
- Follow the reverse steps to reinstall the unit