

User's manual	Manual del usuario	Manuel de l'utilisateur
Customer Service US: 1-800-645-2986	Servicio de atención al Cliente US: 1-800-645-2986	Service à la clientèle Canada: 888-645-2986

Replacement Activation Button Assembly, Side & Front, For 761217



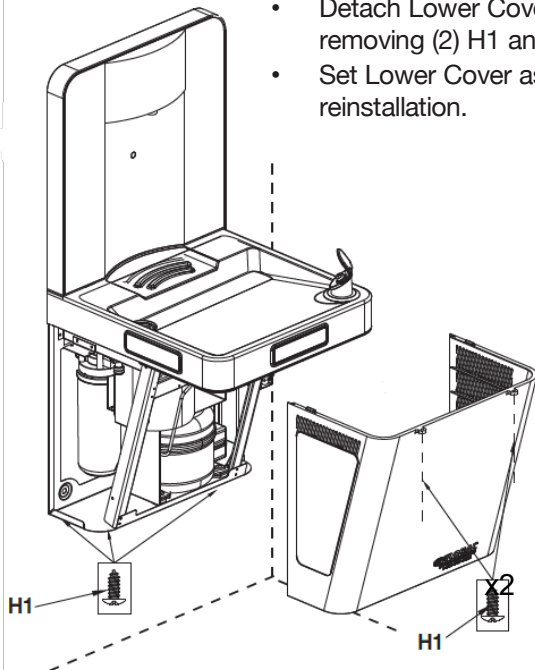
⚠ The inside of the stainless-steel pan may contain sharp edges. Use caution when accessing and replacing any parts

Read this manual thoroughly prior to installation, operation or maintenance. Keep these instructions in a safe location for future reference. For questions, visit globalindustrial.com or contact Customer Service at 1-800-645-2982.

1

Remove Lower Cover

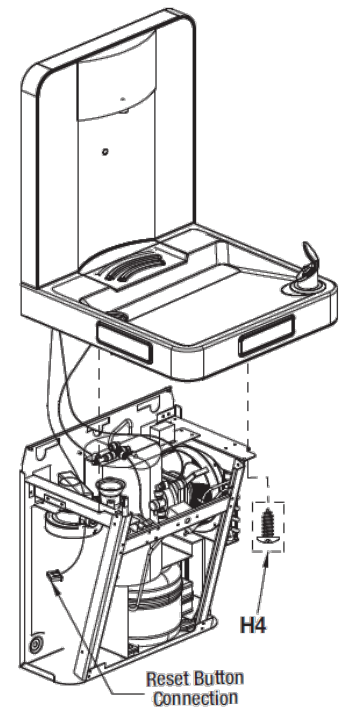
- Remove (4) H1 anti-theft screws at the bottom of the Lower Cover.
- Detach Lower Cover from Stainless Pan by removing (2) H1 anti-theft screws.
- Set Lower Cover aside and save screws for reinstallation.



2

Detach Stainless Pan from Cooling System

- Remove (2) H4 screws from underneath Stainless Pan.
- Disconnect water lines and wire connections by following the reverse steps as stated on page 6 of 761218 manual.



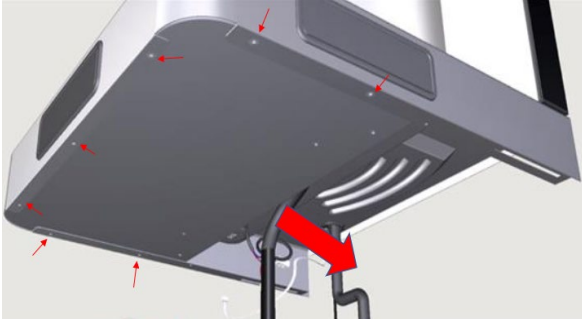
*H1: M4 x 8mm Lg. Torx an Head Anti-Theft Screw

*H4: ST4.2x 12. Phillips Pan Head Screw

3

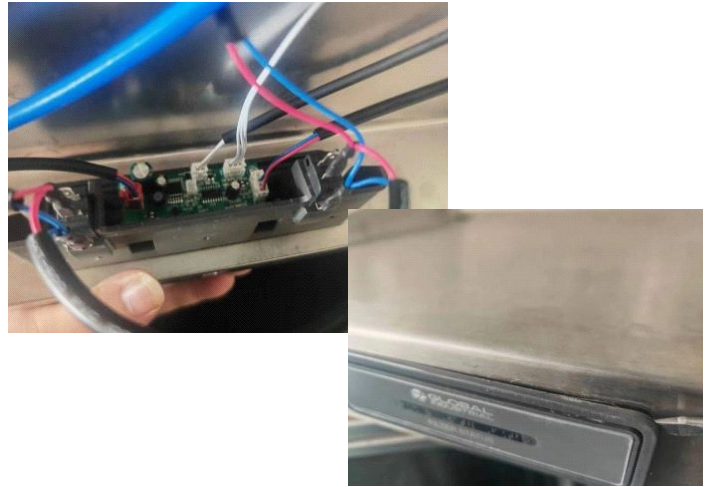
Remove Bottom Plate from Stainless Pan

- Remove (6) screws from underneath Stainless Pan.
- Remove the SUS plate

**4**

Remove Front Button

- Remove wire connections on Front Button
- Use a flat screwdriver to detach Front Button

**5**

Replace New Button

- Push Replacement Button into the slot
- Follow the reverse steps to reinstall the unit