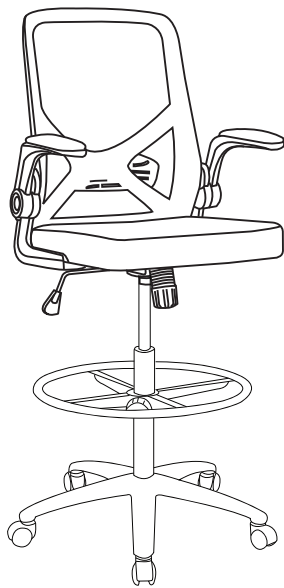

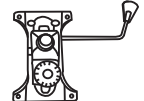

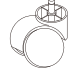
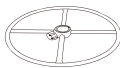





| Assembly Instructions                  | Instrucciones de Ensamblaje                           | Directives d'assemblage                        |
|--|---|--|
| Customer Service<br>US: 1-800-645-2986 | Servicio de atención al Cliente<br>US: 1-800-645-2986 | Service à la clientèle<br>Canada: 888-645-2986 |

## Mesh Back Task Stool, with Flip-Up Arms, Black

Model 695944



| CONTENTS |      |   |      |      |  |
|----------|------|---|------|------|--|
| Ref.     | Qty. | Description   | Ref. | Qty. | Description  |
| 1        | 1    | Backrest & seat  | 5    | 1    | Seat Plate  |
| 2        | 1    | 5 Star Base    | 6    | 5    | Caster      |
| 3        | 1    | Foot Ring     | H1   | 4    | 1/4"x7/8"  |
| 4        | 1    | Gas Lift      | H2   | 1    | Hex Key   |

