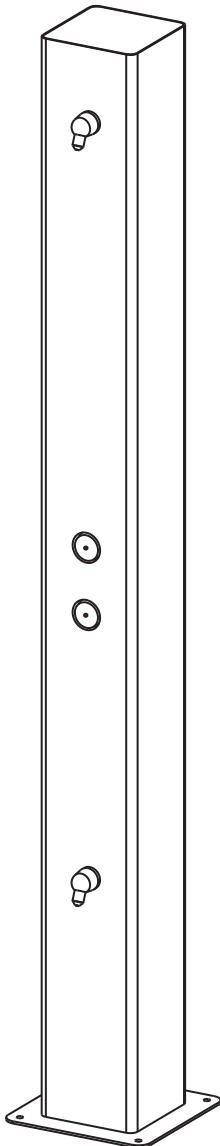


Instruction Manual	Manual de Instrucciones	Manuel d'instruction
Customer Service US: 1-800-645-2986	Servicio de atención al Cliente México: 01.800.681.6940	Service à la clientèle Canada: 888-645-2986

## 84" Outdoor 2 Nozzle Water Shower - Stainless Steel

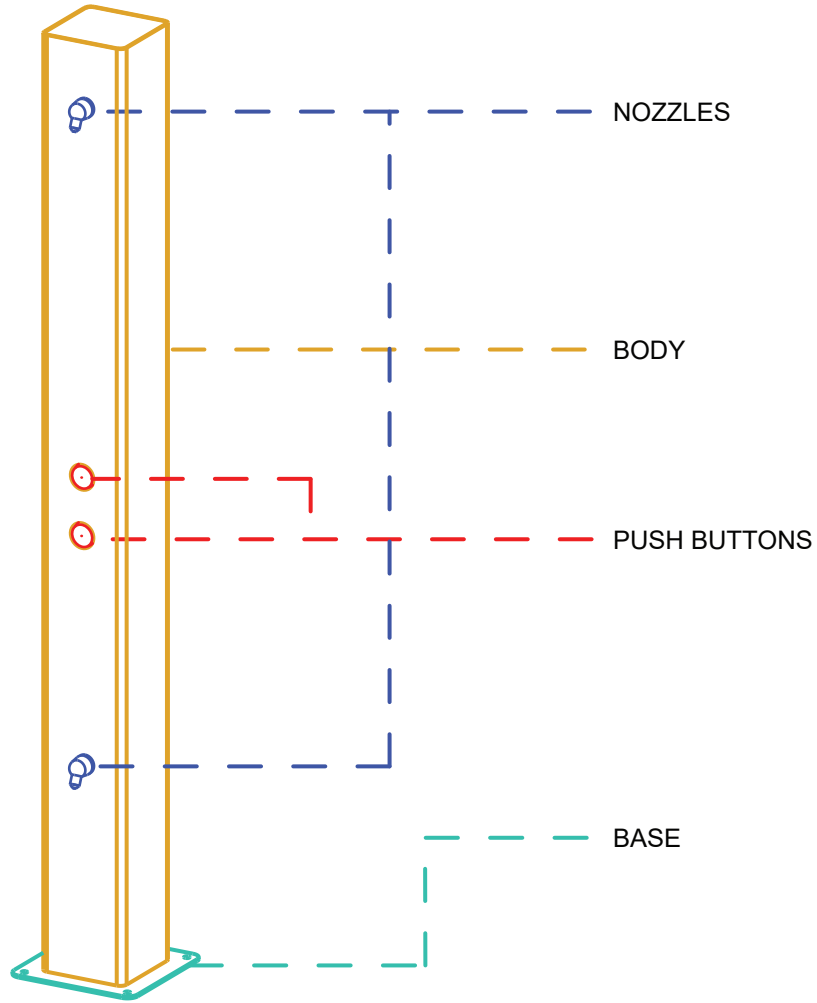
Model 670434



### WARNING

- All installation work must be performed by authorized service personnel.
- Two or more people are recommended to lift and install the unit.
- Check local codes for plumbing requirements prior to installation.
- Refer to Rough-In Guide (page 4) prior to installation.
- Thoroughly flush all water supply lines of all foreign matter before connecting to the fixture.
- Check for any leaks before use.
- DO NOT attempt to repair or replace any part of this shower unless it is specifically recommended in this manual. All other services should be referred to a qualified technician.
- Shut-off water supply during installation to reduce the risk of water damage.
- Freezing Caution: Before freezing temperatures occur, refer to the Draining and Winterization section of this manual (page 9) for proper preparation.
- This shower must be mounted on a flat, level surface (concrete or otherwise) with an adequate support structure and proper surface draining.
- Failure to follow safety warnings and/or installation instructions will void warranty.

**Note:** This shower is designed to be installed on the surface of an existing or new concrete slab. Included are the necessary vandal-resistant stainless steel bolts and washers needed to anchor this unit. All connections are made inside the shower through the access doors, as shown in the drawings within this manual. It is recommended to install a shut-off valve (not included) on the water supply.



**COLOR OPTIONS:**

- SS316
- SS316 GREEN
- SS316 BLACK
- SS316 BLUE

[WWW.GLOBALINDUSTRIAL.COM](http://WWW.GLOBALINDUSTRIAL.COM)






**Package Contents:**

- SS Shower
- Hardware Bag

## SPECIFICATIONS

Features:	316 Stainless, Heavy Duty, Vandal Resistant
Finish:	Stainless Steel Finish
Power:	No Electrical Required
Bubbler	Vandal Resistant
Activation Type:	Push Button
Mounting Type:	Floor Mount/Free Standing
Product Dimensions:	12"L x 12"W x 84"H
Weight:	84.9 lbs.
Installation Location:	Outdoor
No. of Nozzles:	2

## PART BREAKDOWN

Ref.	Qty.	Description	
H1	1	Torx Key Wrench	
H2	1	Torx Drill Bit	
H3	4	Anchor Kit	

## REQUIRED TOOLS





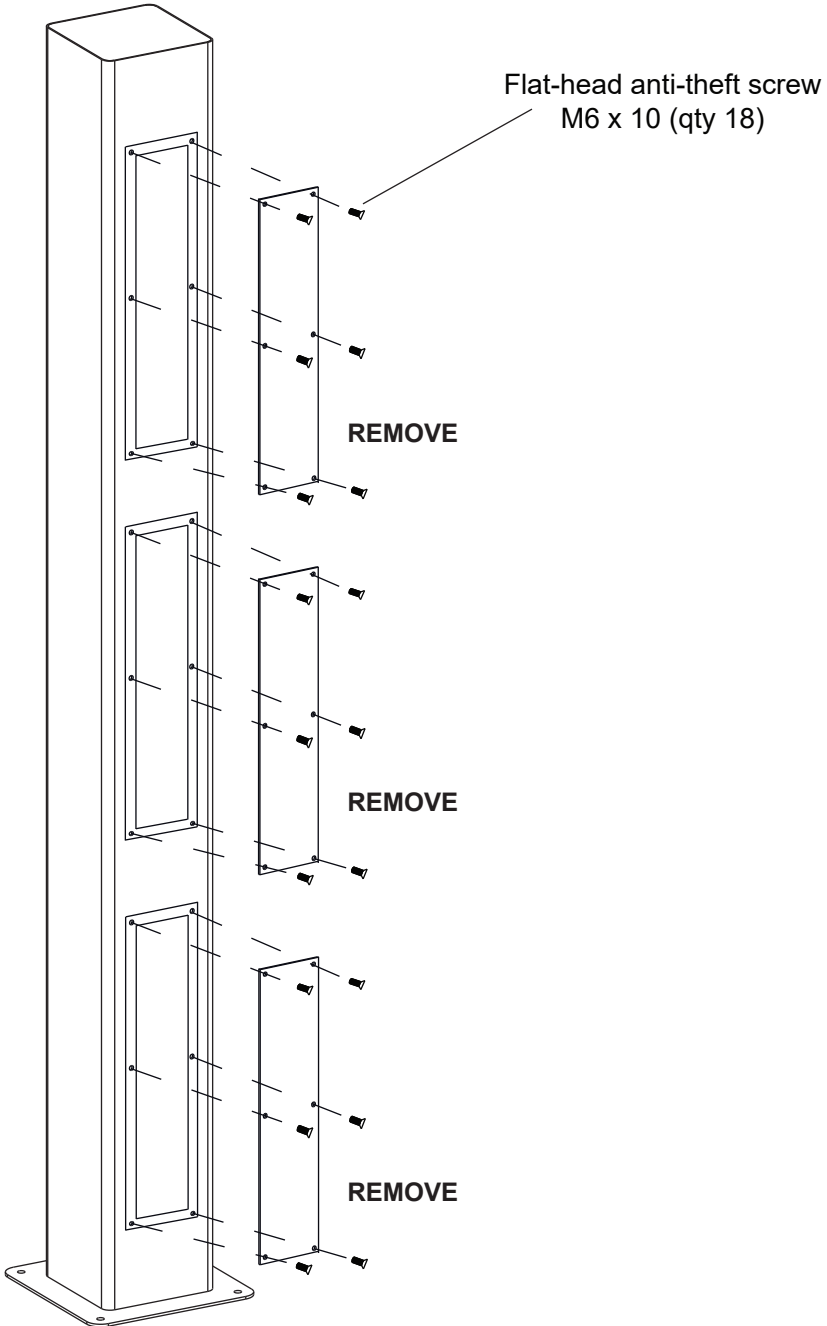
# 84" Outdoor 2 Nozzle Water Shower

## INSTALLATION

- It is recommended that 2 or more people install this unit.
- This shower must be mounted on a flat, level surface (concrete or otherwise) with an adequate support structure and proper surface draining.
- Locate and install plumbing through ground as required. Refer to Rough-In Guide (page 4) for proper location and correct plumbing.
- Install a drainable shut-off valve (not included) if in a freezable environment.

### 1. REMOVE ACCESS PANELS

To gain access to the water line connections, remove the (3) access panels using the provided torx key wrench (H1) or torx drill bit (H2) to remove all (18) M6 x 10 flat-head anti-theft screws on back side of the unit:

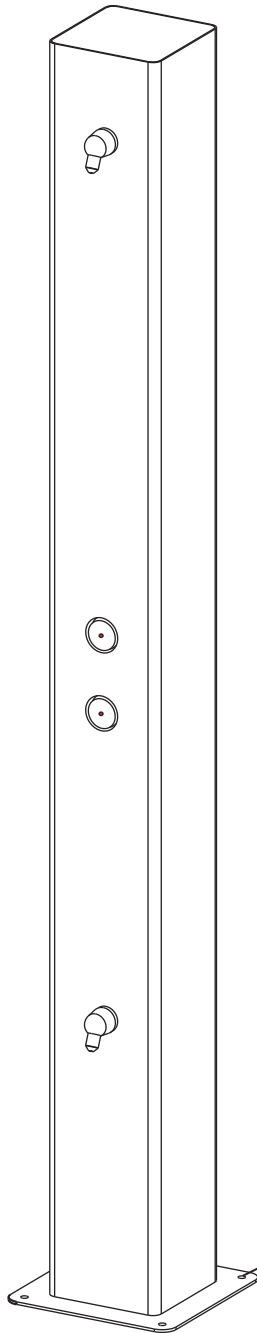


# 84" Outdoor 2 Nozzle Water Shower

## 2. MOUNT SHOWER UNIT TO GROUND

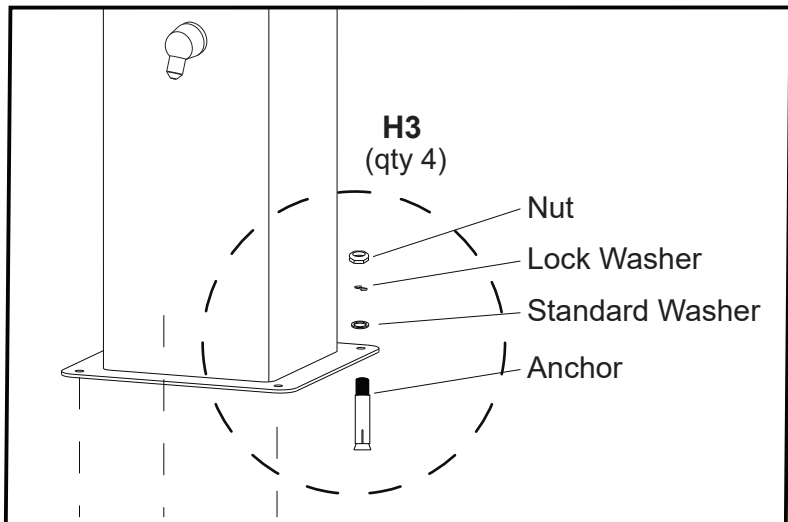
- Locate and install plumbing through ground as required. Refer to Rough-In Guide (page 4) for proper location and correct plumbing.
- This shower must be mounted on a flat, level surface (concrete or otherwise) with an adequate support structure and proper surface draining.

Position shower unit base over plumbing and secure to ground using provided anchor kit (H3) mounting hardware (x4).



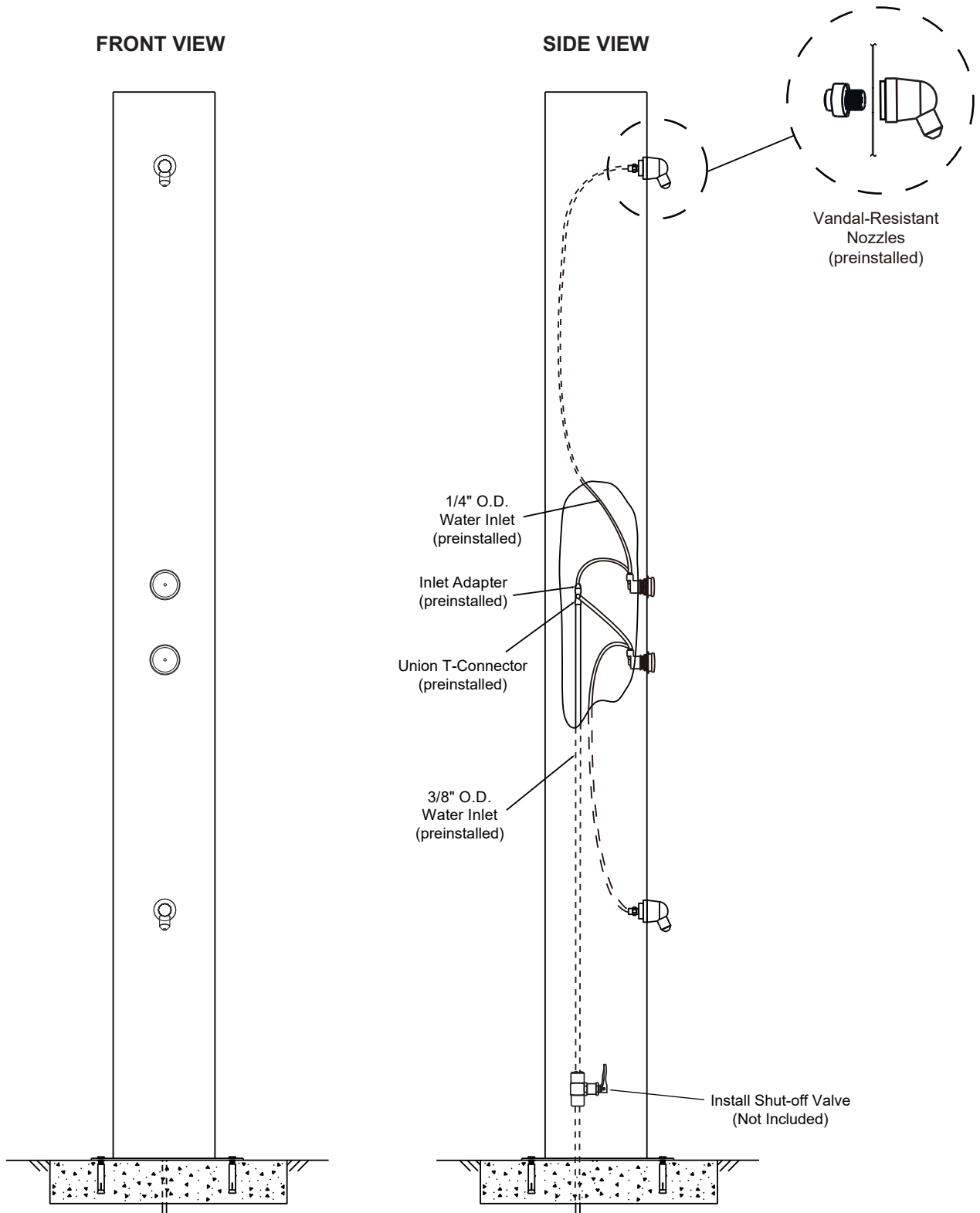
**(H3) Anchor kit consists of:**

- (4) M10 Nuts
- (4) M10 Lock Washers
- (4) M10 Standard Washers
- (4) M10 Anchors

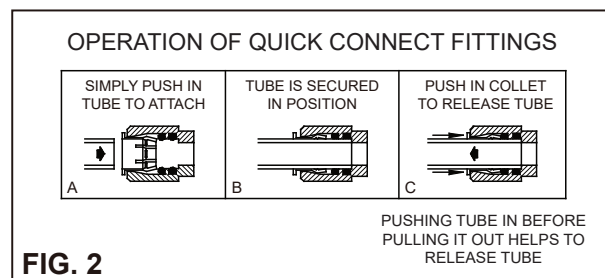
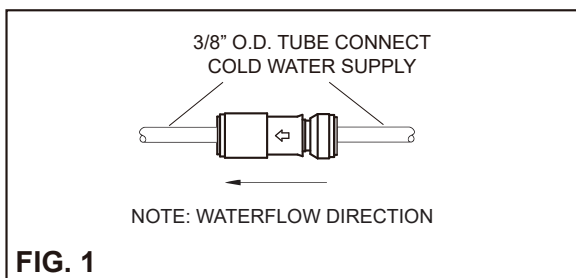
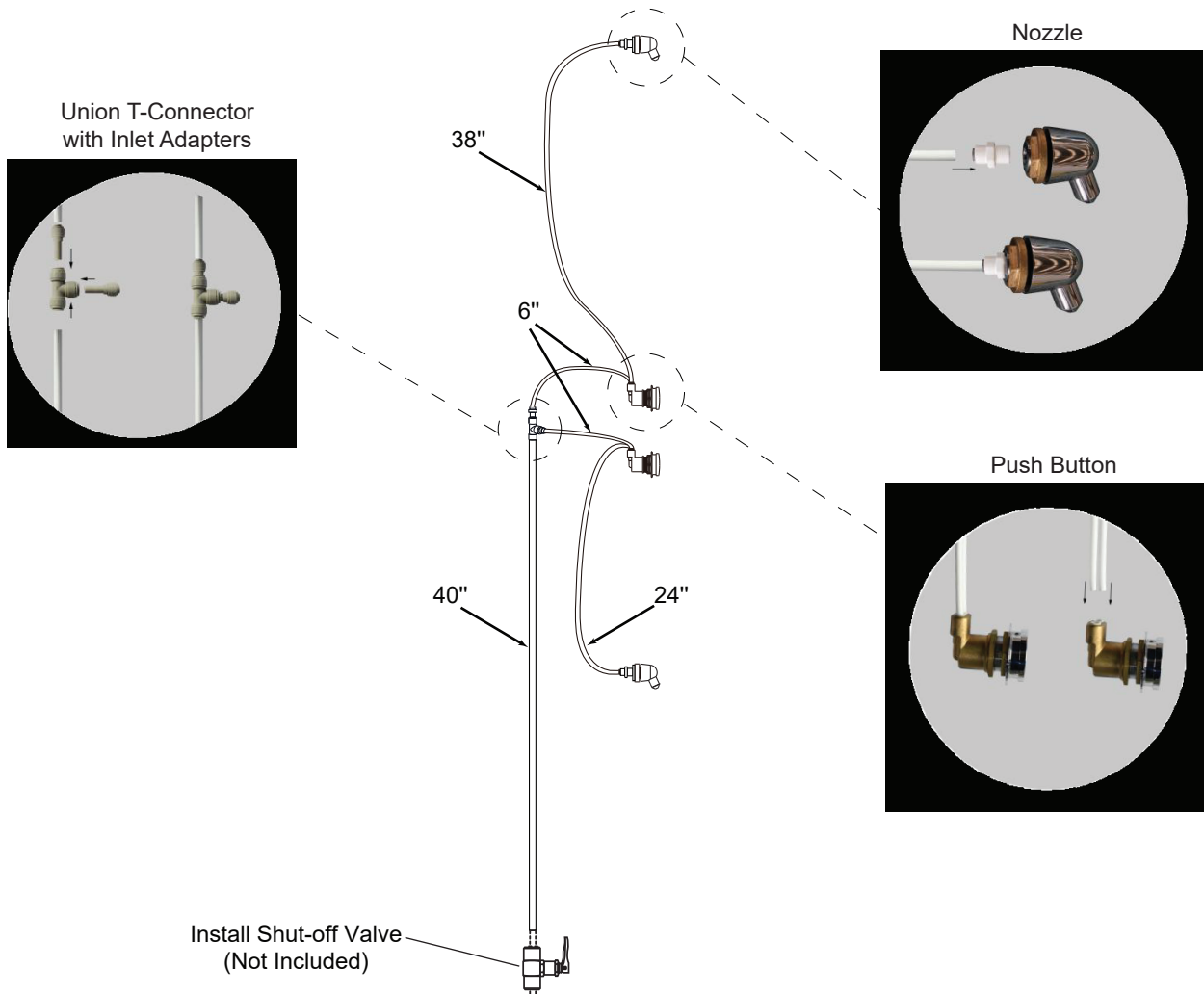


### 3. WATER INLET LINE CONNECTION BREAKDOWN:

- Install a shut-off valve (not included) on the water supply.
- All other internal water lines are preinstalled; see below illustration for reference.
- All water connections must comply with local codes.



# 84" Outdoor 2 Nozzle Water Shower



- If shower is being installed in areas where cold temperatures may occur, all water inlet lines are preinstalled with pipe insulation to help prevent freezing.

**CAUTION:** Before freezing temperatures occur, see Draining and Winterization section of this manual (page 9) for proper preparation.

Note: Turn on water supply and check all connections for leaks and proper operation.



#### **4. REINSTALL ACCESS PANELS**

Reinstall all (3) access panels using the (18) M6 x 10 flat-head anti-theft screws preciously removed from the shower unit.

**WARNING:** Flush all water supply lines thoroughly before initial use.

#### **START-UP**

Initial water flow may have sputter due to air in the water lines; this will be eliminated once air is purged from all water lines. Press and hold the push button until a steady water stream is achieved.

#### **STREAM PRESSURE ADJUSTMENT**

The water stream pressure is factory set at 35 PSI. If adjustment is required, insert a small flathead screwdriver through the access hole in the center of the push button and turn the adjustment screw. Turn clockwise to raise the stream height and counterclockwise to lower the stream height.

**CAUTION:** The shower is rated for inlet water pressure of 20-105 PSI. A pressure reducing regulator should be used if the inlet water supply exceeds 105 PSI. Any damage caused by reason of connecting this product to supply line pressures lower than 20 PSI or higher than 105 PSI will void warranty.

#### **DRAINING AND WINTERIZATION**

- Before freezing temperatures occur, turn off the water at the shut-off valve, disconnect the water supply line tubing and blow out lines. Press down on push button to release any air pressure that may remain in the lines.
- DO NOT allow water lines to freeze. Cracked or broken components due to freezing are not covered by warranty.