

Assembly Instructions	Instrucciones de Ensamblaje	Directives d'assemblage
Customer Service US: 800-645-2986	Servicio de atención al Cliente México: 01.800.681.6940	Service à la clientèle Canada: 888-645-2986

LED BACK LIT PANEL, 0-10V DIMMABLE

GENERAL SAFETY INFORMATION

- To reduce the risk of death, personal injury or property damage from fire, electric shock, falling parts, cuts/abrasions, and other hazards read all warnings and instructions.
- Installation, service and maintenance should be performed by a qualified licensed electrician.
- DO NOT INSTALL DAMAGED PRODUCT!

WARNING:

RISK OF ELECTRICAL SHOCK

- Turn off electrical power at fuse or circuit breaker box before wiring fixture to the power supply.
- Turn off the power when you perform any maintenance.
- Verify that supply voltage is correct.
- Make all electrical and grounded connections in accordance with the National Electrical Code and any applicable local code requirements.
- All wiring connections should be capped with approved wire connectors.

CAUTION:

RISK OF INJURY

- Wear gloves and safety glasses at all times when installing or performing maintenance.
- Avoid direct eye exposure to the light source.
- Ensure fixtures are properly secured to T-bar grid and ceiling, using wire, or aircraft cable capable of supporting 100 lbs. minimum.

CAUTION:

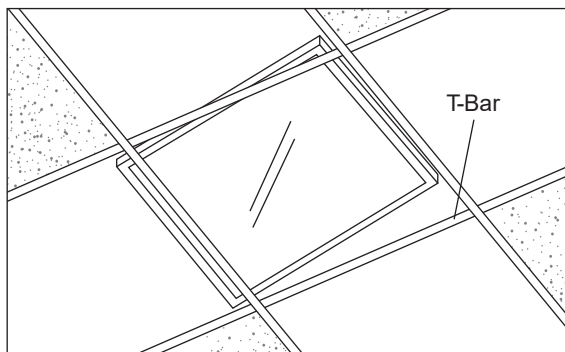
RISK OF FIRE

- Keep combustible and other materials that can burn away from luminaire and lamp/lens.
- Do not install insulation within 2 inches of light fixture.
- This device complies with part 15 of the FCC Rules. Operation is subject to the following two conditions: (1) This device may not cause harmful interference, and (2) this device must accept any interference received, including interference that may cause undesired operation.

SPECIFICATIONS

Model 812406 - 2 x 2 Panel 0-10V Dimmable; 32W 120 Beam Angle; 125LM/W 4000 Lumens; CRI 80 4000K temp; DLC Premium	Model 812408 - 2 x 4 Panel 0-10V Dimmable; 50W 120 Beam Angle; 125LM/W 6250 Lumens; CRI 80 4000K temp; DLC Premium
Model 812407 - 2 x 2 Panel 0-10V Dimmable; 32W 120 Beam Angle; 125LM/W 4000 Lumens; CRI 80 5000K temp; DLC Premium	Model 812409 - 2 x 4 Panel 0-10V Dimmable; 50W 120 Beam Angle; 125LM/W 6250 Lumens; CRI 80 5000K temp; DLC Premium

Remove the ceiling tile at an appropriate location where the product is to be installed.



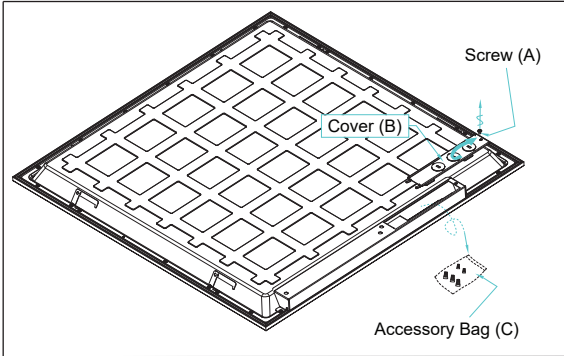
NOTE: This equipment has been tested and found to comply with the limits for a Class B digital device, pursuant to part 15 of the FCC Rules. These limits are designed to provide reasonable protection against harmful interference in a residential installation. This equipment generates, uses and can radiate radio frequency energy and, if not installed and used in accordance with the instructions, may cause harmful interference to radio communications. However, there is no guarantee that interference will not occur in a particular installation. If this equipment does cause harmful interference to radio or television reception, which can be determined by turning the equipment off and on, the user is encouraged to try to correct the interference by one or more of the following measures:

- Reorient or relocate the receiving antenna.
- Increase the separation between the equipment and receiver.
- Connect the equipment into an outlet on a circuit different from that to which the receiver is connected.
- Consult the dealer or an experienced radio/TV technician for help.

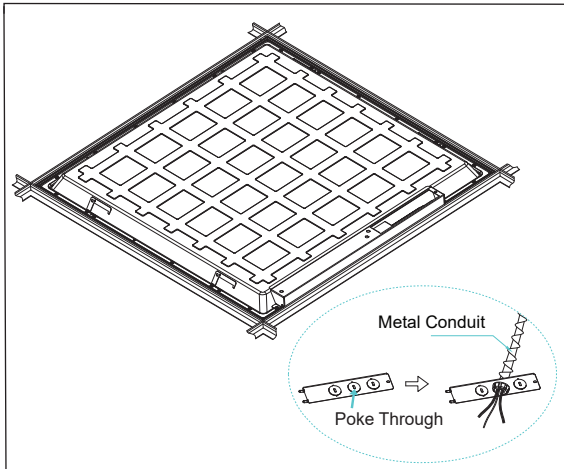
PREPARE PANEL FOR INSTALLATION

Warning: Turn off electrical power at fuse or curcuit breaker box before installation.

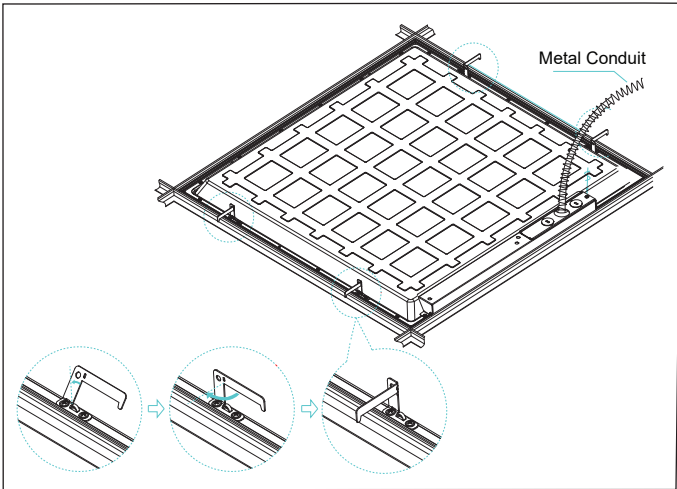
1. Remove the Screw (A) from the back Cover (B) of the junction box. Lift the cover off and remove the Accessory Bag (C).



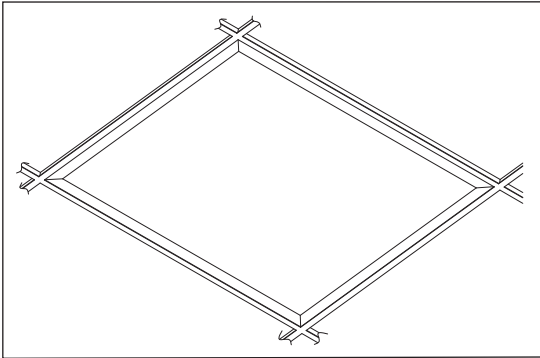
2. Lift LED Panel Light up to the ceiling location. Locate and poke through the suitable hole on the cover and feed the metal conduit connections through the hole.



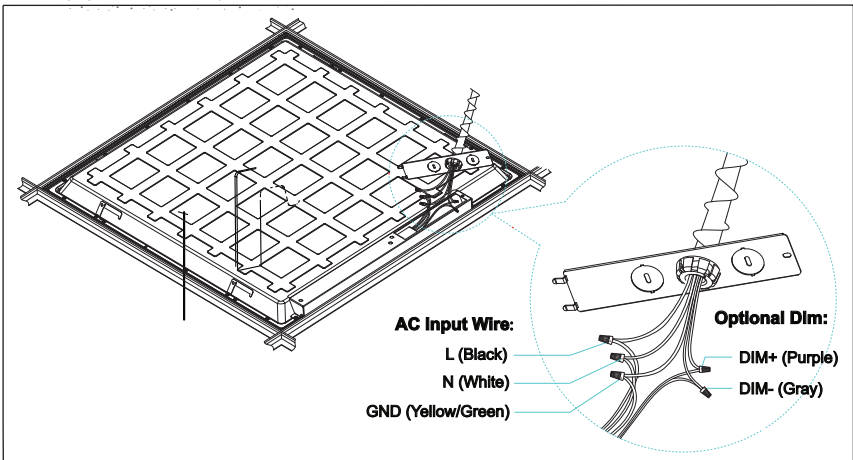
4. Carefully place the wires into the junction box and re-install cover plate back on to housing and secure in place with screw. Turn the suspension tabs 90° to position and hang over the ceiling "T" Bars.



5. Turn on electrical power and turn on light. Installation is complete.



3. Connect AC input wire and dimmable wire (optional):



NOTE: Save these Instructions.