

 **General Information**

Project Name: _____

Consultant: _____

Item #: _____

Model #: _____

Quantity: _____



 **Specifications**

Top: 14GA Stainless steel, type 300 series (18/8) with 1½" channel edge, ½" return. Unit is polished to a brushed finish.

Understructure: 14GA Stainless Steel channeling rigidly braced to top with studs and dome caps.

Undershef: 18GA Stainless steel, type 300 series (18/8) with 1½" channel edge, ½" return with corners notched and welded to legs 10" above floor.

Legs: 1½" Diameter stainless steel, type 304 (18/8).

Gussets: Stainless steel conical type with inner sleeve and set screw.

Casters: (4) - 5" Heavy duty rubber type, (2) two with brakes.

Sound deadening is standard on all Model #SMT units.

 **Product Guide**

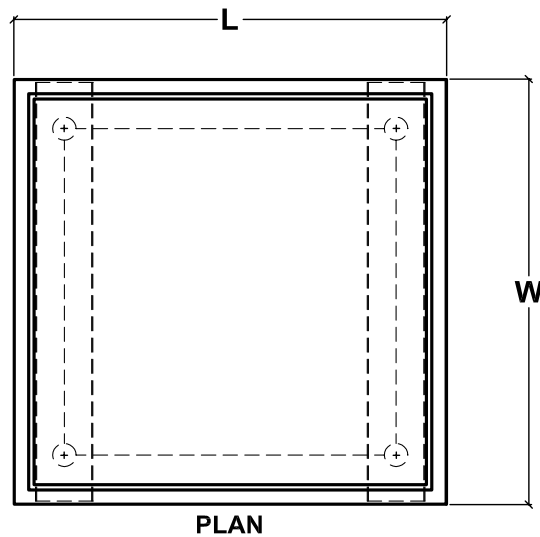
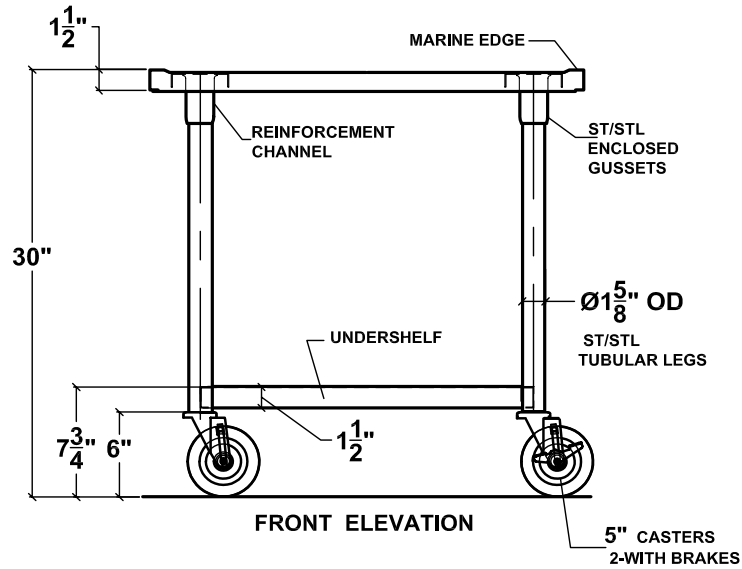
Mixer Tables are convenient and easy to use. These sturdy units are designed for long lasting service. Units are provided with interlocking devices for quick and easy assembly and disconnecting.

 **Options**

- DS** - Drop Shelf
- PL** - Posi-Lock
- BAC** - Brakes on All Casters
- AH** - Accessory Holder
- UMD** - Undermount Drawer
- AUS** - Additional Undershef
- PSLD** - Pan Slides (Per Set)
- RVB** - Revolving Bumpers



DRAWINGS



MIXER TABLES WITH UNDERSHELF

Model	Size (W x L x H)
□ SMT-2424	24" x 24" x 30"
□ SMT-2430	24" x 30" x 30"
□ SMT-3030	30" x 30" x 30"
□ SMT-3036	30" x 36" x 30"
□ SMT-3636	36" x 36" x 30"

Specifications subject to change without notice.

SMT-40 0321