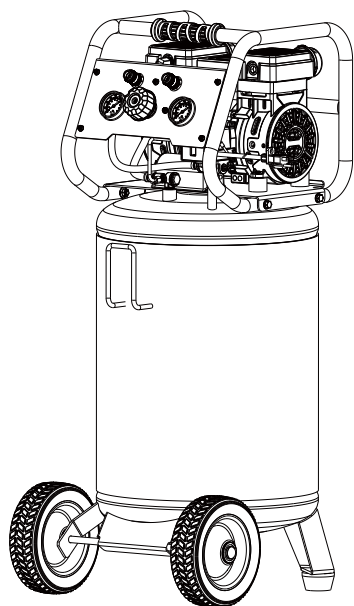


User's manual	Manual del usuario	Manuel de l'utilisateur
Customer Service US: 1-800-645-2986	Servicio de atención al Cliente US: 1-800-645-2986	Service à la clientèle Canada: 888-645-2986

Portable Quiet Air Electric Compressor, 1.8 HP, 20 Gal, 5.0 CFM, Oil-Free

Models: 133754



SPECIFIC SAFETY INSTRUCTIONS FOR 20 GAL AIR COMPRESSOR

SAVE THIS MANUAL FOR FUTURE REFERENCE

- The purpose of safety symbols is to attract your attention to possible dangers. The safety symbols, and the explanations with them, deserve your careful attention and understanding. The symbol warnings do not by themselves eliminate any danger. The instructions and warnings they give are no substitutes for proper accident prevention measures.
- Be sure to read and understand all safety instructions in this manual, including all safety alert symbols such as "DANGER", "WARNING" and "CAUTION", before using this compressor. Failure to follow all instructions listed below may result in electric shock, fire and/or serious personal injury.




GENERAL SAFETY WARNINGS

IMPORTANT SAFETY INSTRUCTIONS

Read and understand all safety and operational instructions. Failure to follow the safety rules listed below and other basic safety precautions may result in serious personal injury. Keep this manual, sales receipts and applicable warranty forms for future reference.

SAFETY SYMBOLS

The purpose of safety symbols is to alert you of the potential safety RISKS. Recognize and understand them. Follow the instructions provided.

SYMBOL	MEANING
 DANGER	Failure to obey a DANGER safety alert WILL result in serious personal injury or death to you or to others. Always obey all messages following this symbol to reduce the risk of serious personal injury or death.
 WARNING	Failure to obey a WARNING safety alert MAY result in serious personal injury or death to you or to others. Always obey all messages following this symbol to reduce the risk of potential serious personal injury or death.
 CAUTION	Failure to obey a CAUTION safety alert MAY result in personal injury or property damage to you or to others. Always obey all messages following this symbol to reduce the risk of personal injury or property damage.
NOTICE	Notice indicates important information, that if not followed, may cause damage to equipment.

SAFETY INSTRUCTIONS

WORK AREA SAFETY

- Keep your work area clean and well lit. Cluttered workbenches and dark areas invite accidents.
- Do not operate power tools in explosive atmospheres, such as in the presence of flammable liquids, gases, or dust. Power tools create sparks which may ignite the dust or fumes.
- Keep bystanders, children and visitors away while operating a power tool. Distractions can cause you to lose control.
- Make your workshop childproof with padlocks and master switches. Lock tools away when not in use.
- Make sure the work area has ample lighting so you can see the work and that there are no obstructions that will interfere with safe operation before using your power tool.
- Know your power tool. Read the operator's manual carefully. Learn the power tools applications and limitations, as well as the specific potential hazards related to this tool.
- Stay alert, watch what you are doing and use common sense when operating a power tool.
- Do not use tool while tired or under the influence of drugs, alcohol or medication. A moment of inattention while operating power tools may result in serious personal injury.

20-Gallon Quiet Air Compressor

- Dress properly. Do not wear loose clothing or jewelry. Pull back long hair. Keep your hair, clothing, and gloves away from moving parts. Air vents often cover moving parts and should also be avoided. Loose clothing, jewelry or long hair can be caught in moving parts.
- Avoid accidental starting. Be sure switch is in "OFF" position before plugging in. Do not carry tools with your finger on the switch. Carrying tools with your finger on the switch or plugging in tools that have the switch in the "ON" position invites accidents.
- Remove adjusting keys or wrenches before turning the tool "ON". A wrench that is left attached to a rotating part of the tool may result in personal injury.
- Do not overreach. Keep proper footing and balance at all times. Proper footing and balance enables better control of the tool in unexpected situations.
- Always secure your work. Use clamps or a vise to hold work when practical. It is safer than using your hand and frees both hands to operate tool.
- Use safety equipment. Always wear eye protection. Dust mask, non-skid safety shoes, hard hat or hearing protection must be used for appropriate conditions.
- Do not use on a ladder or unstable support. Stable footing on a solid surface enables better control of the tool in unexpected situations.

TOOL USE AND CARE SAFETY

⚠ WARNING

Be sure to read and understand all instruction before operating this power tool. Failure to follow all instructions listed below may result in electric shock, fire and/or serious Personal injury.

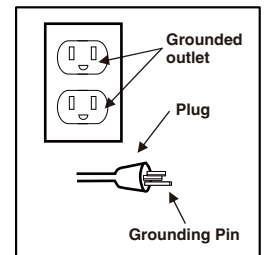
- Always use clamps or other practical ways to secure and support the work piece to a stable platform. Holding the work by hand or against your body is unstable and may lead to loss of control.
- Do not force the tool. Use the correct tool and blade for your application. The correct tool and blade will do the job better and safer at the rate for which it is designed.
- Do not use the tool if switch does not turn it "ON" or "OFF". Any tool that cannot be controlled with the switch is dangerous and must be repaired
- Disconnect the plug from the power source before making any adjustments, changing accessories or storing the tool. Such preventive safety measures reduce the risk of starting the tool accidentally.
- Never leave the tool running. Always turn it off. Do not leave the tool until it comes to a complete stop.
- Store idle tools out of the reach of children and other untrained persons. Tools are dangerous in the hands of untrained users.
- Maintain tools with care. Keep cutting tools sharp and clean. Properly maintained tools with sharp cutting edges are less likely to bind and are easier to control.
- Check for misalignment or binding of moving parts, breakage of parts, and the tool serviced before using. Many accidents are caused by poorly maintained tools.
- Use only accessories that are recommended for this tool. Accessories that may be suitable for one tool may become hazardous when used on another tool.

ELECTRICAL SAFETY

- Avoid body contact with grounded surfaces such as pipes, radiators, ranges, and refrigerators. There is an increased risk of electric shock if your body is grounded.
- Do not expose power tools to rain or wet conditions. Water entering a power tool will increase the risk of electric shock.
- Do not abuse the cord. Never use the cord to carry the tool or pull the plug from an outlet. Keep the cord away from heat, oil, sharp edges, and moving parts.
- Replace damaged cords immediately. Damaged cords increase the risk of electric shock.

NOTE

This compressor should be used on a nominal 120V grounded circuit. Use a power cord that is equipped with a grounding plug. Verify that the compressor is plugged into an outlet that has the same configuration as the plug. Do not use an adaptor with this compressor.



EXTENSION CORDS

⚠ CAUTION

Keep the extension cord clear of the working area. Position the cord so that it will not get caught on lumber, tools or other obstructions while you are working with a power tool.

⚠ WARNING

Check extension cords before each use. If damaged replace immediately. Never use tool with a damaged cord since toughing the damaged area could cause electrical shock, resulting in serious injury.

Use a proper extension cord. Only use cords listed by Underwriters Laboratories (UL). Other extension cords can cause a drop in line voltage, resulting in a loss of power and overheating of tool. When operating a power tool outdoors, use an outdoor extension cord marked "W-A" or "W". These cords are rated for outdoor use and reduce the risk of electric shock.

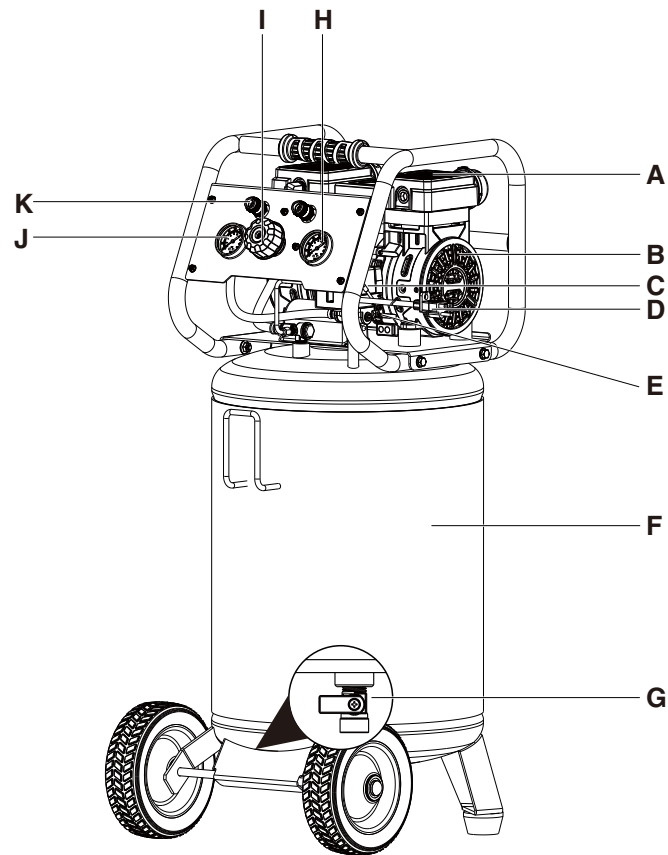
MINIMUM GAUGE FOR EXTENSION CORDS					
(When using 120 volts only)					
Ampere Rating		Total Length Of Cord			
More Than<	>Less Than	25ft.	50ft.	100ft.	150ft.
0	6	18	16	16	14
6	10	18	16	14	12
10	12	16	16	14	12
12	16	14	12	Not Recommended	

PRODUCT SPECIFICATIONS

Model No.	133754
Pump	Oil free, Direct drive
Motor	1.8 HP
Voltage/Amps/Hz	120/12/60
Air Tank Capacity	20 Gallon (75.7 L)
Maximum Pressure	150 PSI
CFM@40 PSI	5.5
CFM@90 PSI	5.0
Power Cord	SJT16AWG x 6 ft

20-Gallon Quiet Air Compressor

OVERVIEW



A.	Air Compressor Pump	G.	Drain Valve
B.	Electric Motor	H.	Outlet Pressure Gauge
C.	Power Switch	I.	Pressure Regulator
D.	Power Cord	J.	Tank Pressure Gauge
E.	Safety Valve	K.	Quick Coupler
F.	Air Tank		

20-Gallon Quiet Air Compressor

PRODUCT FEATURES

Electric Motor

The motor is used to power the pump. It is equipped with a thermal overload protector. If the motor overheats for any reason, the thermal overload protector will shut it down in order to prevent the motor from being damaged.

Air Compressor Pump

The pump compresses the air and discharges it into the tank via the piston that moves up and down in the cylinder.

Safety Valve

This valve is used to prevent the compressor from building too much pressure. If the pressure reaches the preset level of the motor, it will automatically pop open. You can also pull the ring on the valve to open manually.

Power Switch

The Switch turns the compressor on and off manually. Always set this switch to the OFF position when the compressor is not being used and before unplugging.

Pressure Regulator

The regulator is used to adjust the pressure inside the line to the tool that is being used. Turn the knob clockwise to increase the pressure and counter-clockwise to decrease the pressure.

Tank Pressure Gauge

The gauge measures the pressure level of the air that is stored in the tank. It cannot be adjusted by the operator and it does not indicate the pressure inside the line.

Outlet Pressure Gauge

The gauge measures the regulated outlet pressure.

Quick Coupler (Universal Coupler)

The quick coupler is connected to the 1/4" (6.4 mm) NPT air hose.

Drain Valve

The drain valve is used to remove moisture from the air tank after the compressor is shut off.

Air Tank

The tank is where the compressed air is stored.

Power Cord

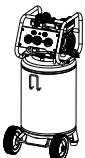
This compressor should be used on a nominal 120V grounded circuit. Use a power cord that is equipped with a grounding plug. Verify that the compressor is plugged into an outlet that has the same configuration as the plug. Do not use an adaptor with this compressor.

ASSEMBLY

- Unpack the air compressor unit. Inspect the unit for damage. If the unit has been damaged, contact the retailer immediately.
- Check the air compressor's identification label to ensure that you have purchased the intended model and that it has the required pressure rating for its intended use.

The carton should contain:

- Air compressor
- Owner's manual

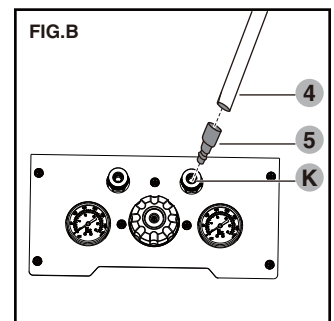
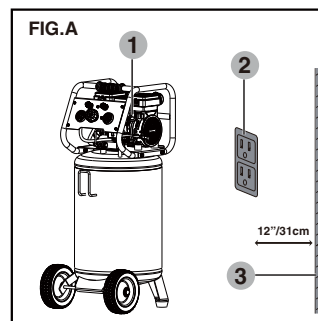


POSITIONING OF THE AIR COMPRESSOR

1. Position the air compressor ① near an electrical outlet ② (FIG. A).
2. The compressor must be at least 12" (31cm) from any wall ③ or obstruction, in a clean, well-ventilated area to ensure sufficient air flow and cooling (FIG. A.)
3. Place the air compressor on the floor or a hard level surface.
4. Connect the air hose ④ to the compressor's quick coupler (universal coupler) ④ with the universal quick plug ⑤ (FIG. B).

NOTE

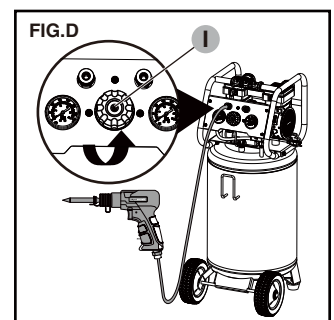
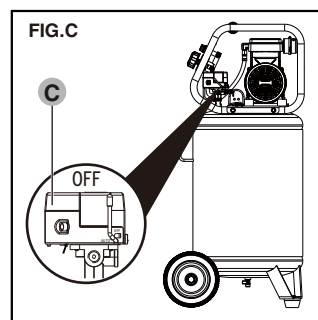
Attach air hose and accessories (not provided). Apply plumber's tape on all the threads to prevent air leakage.



OPERATING INSTRUCTIONS

BEFORE EACH START-UP

1. Set the power switch ① to the OFF position (Fig. C).
2. Turn the air pressure regulator knob ① counter-clockwise until it stops (Fig. D).
3. Attach hose and accessories (Fig. D).
(Hose and accessories need to be purchased separately.)



⚠ WARNING

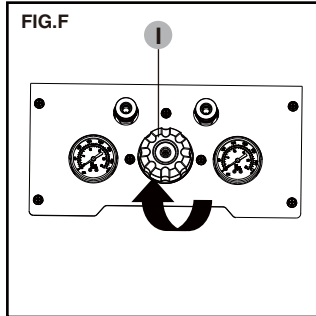
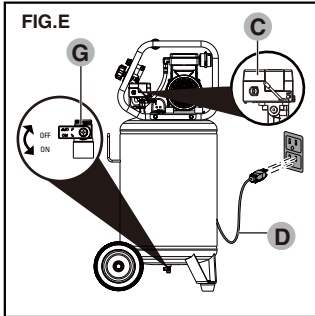


Too much air pressure causes a hazardous risk of bursting. Check the manufacturer's maximum pressure rating for air tools and accessories. The regulator outlet pressure must never exceed the maximum pressure rating.

20-Gallon Quiet Air Compressor

HOW TO START

1. Close the tank drain valve **G** (Fig. E).
2. Plug-in the power cord **D**.
3. Set the power switch **C** to the ON position and allow the tank pressure to build. Motor will stop when tank pressure reaches cut-out pressure.
4. Turn the pressure regulator knob **I** clockwise until desired pressure is reached (Fig. F).
5. The compressor is ready for use.



WARNING

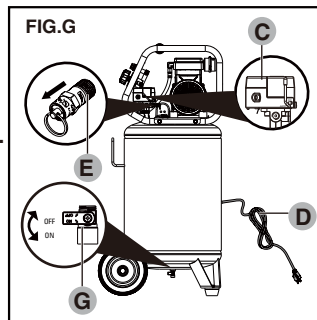


High temperatures are generated by the electric motor and the pump. To prevent burns or other injuries:

- DO NOT touch the compressor while it is running. Allow it to cool before handling or servicing.
- Keep children away from the compressor at all times. When adjusting from a higher to a lower pressure, the knob counterclockwise past the desired setting. Then turn clockwise to reach the desired pressure.
- Do not exceed operating pressure of the tool or accessory being used.

HOW TO SHUT DOWN

1. Set the power switch **C** to the OFF position.
2. Unplug the power cord **D**.
3. Reduce the pressure in the tank through the outlet hose. Pulling the safety valve ring **E** and keeping it open will also reduce the pressure in the tank (Fig.G).
4. Set the tank drain valve **G** to ON to ensure tank is drained (FIG.G).



CAUTION



Escaping air and moisture can propel debris that may cause eye injury. Wear safety glasses when opening the drain valve.

WARNING



To avoid personal injury, always shut off and unplug the unit and relieve all air pressure from the system before performing any service on the air compressor.



Risk of unsafe operation. Unit cycles automatically when power is on. When performing maintenance, you may be exposed to voltage sources, compressed air or moving parts. Personal injuries can occur. Before performing any maintenance or repair, disconnect power source from the compressor and bleed off all air pressure.

MAINTENANCE

WARNING



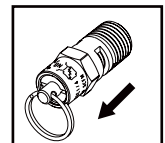
To avoid personal injury, always shut off and unplug the unit and relieve all air pressure from the system before performing.

Regular maintenance will ensure trouble-free operation.

ITEM	DESCRIPTION	SERVICE INTERVAL
Drain the tank	Through normal operation of your air compressor, condensation water will accumulate in the tank. To prevent corrosion of the tank from the inside, condensation must be drained at the end of every workday. Be sure to wear protective goggles. Relieve the air pressure in the system then open the drain valve on the bottom of the tank to drain. Under cold conditions it is especially important to drain the tank after each use to reduce the chance of problems resulting from the freezing of condensation water. NOTE: Refer to instructions on how to drain tank.	Daily
Check the valve	Pull/actiate the safety valve daily to ensure that it is operating properly and to clear the valve of any possible obstructions.	Daily
Test for leaks	Check that all connections are tight. Small leaks in the tank, hoses, connections or transfer tubes will substantially reduce the air compressor and tool performance. Spray a small amount of soapy water around the area of suspected leaks with a spray bottle. If bubbles appear, repair: replace or reseal the faulty component. Do not over-tighten any connections.	Monthly
Storage	Before storing the air compressor: <ul style="list-style-type: none"> • Drain tank. • Use an air blow gun to clean all dust and debris from the compressor. • Disconnect and wind up the power cord. • Clean the ventilation openings on the motor enclosure with a damp cloth. • Drain all moisture from the tank. • Pull the pressure safety valve to release all pressure from the tank. • Cover the entire unit to protect it from moisture and dust. • Store the air compressor in a clean and dry location. • In cold weather, store the compressor in a warm building when it is not in use. This will reduce problems related to starting the motor and the freezing of water condensation. 	Prior to storing

CHECK SAFETY VALVE

Before starting compressor, pull the ring on the safety valve to make sure that the safety valve operates freely. If the valve is stuck or does not operate smoothly, contact a trained service technician.



DRAIN THE TANK

1. Set the power switch to the O (OFF) position.
2. Turn air pressure regulator knob counter-clockwise to set the outlet pressure to zero.
3. Pull and hold ring on safety valve, allowing air to bleed from the tank until air pressure is minimized.
4. Turn drain valve counter-clockwise to open.
6. After the water has been drained, close the drain valve (clockwise).

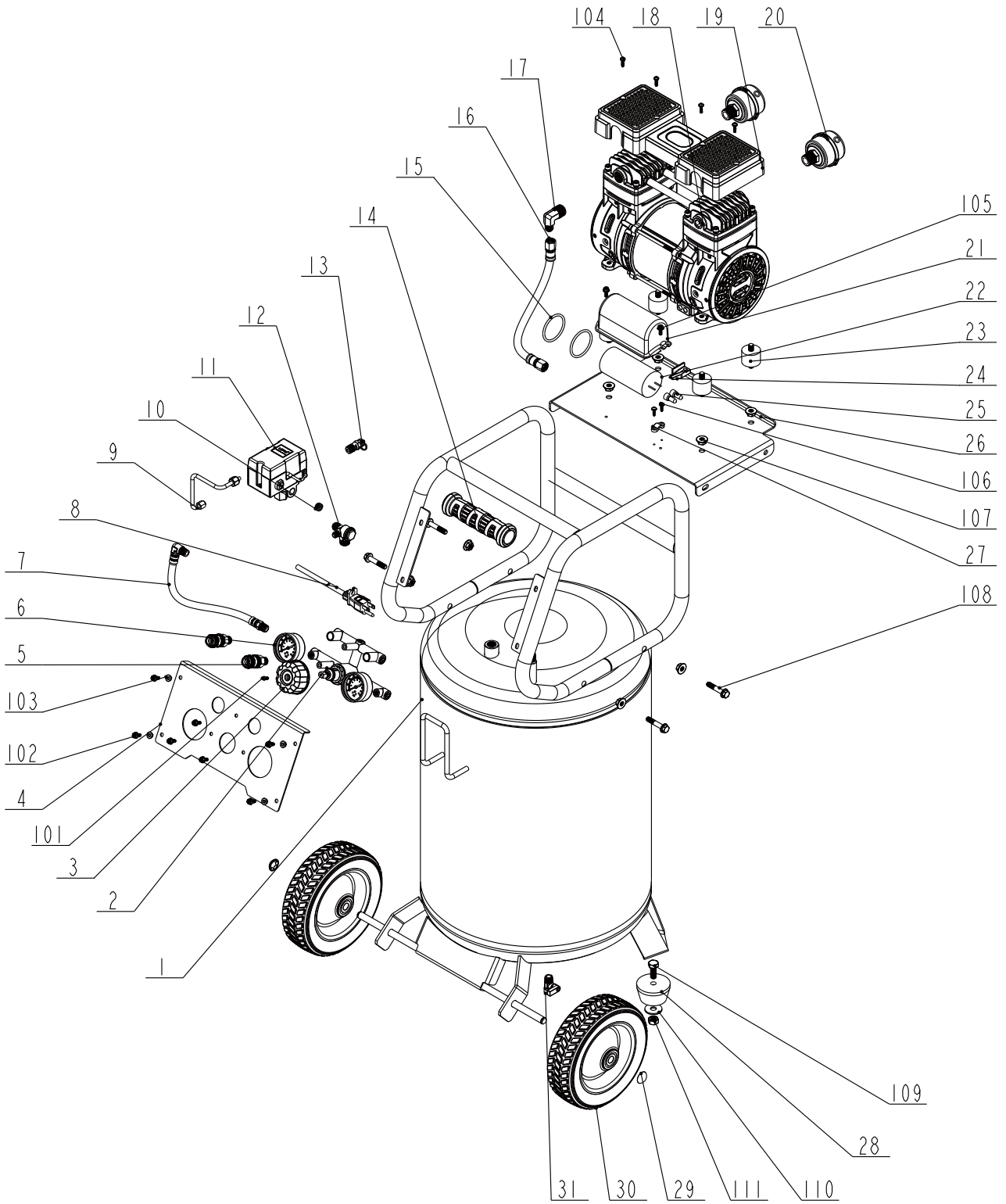
20-Gallon Quiet Air Compressor

TROUBLESHOOTING

PROBLEM	POSSIBLE CAUSE	SOLUTIONS	
The motor will not run or start.	The power cord is not plugged in.	Plug the power cord into a grounded outlet.	
	The power switch is in the O (OFF) position.	Set the power switch to the ON position.	
	The extension cord is the wrong wire gauge or is too long.	Check extension cord information for the proper wire gauge and cord length.	
	The motor's thermal overload protection has tripped.	Turn the air compressor off , unplug the power cord and wait until the motor has cooled down. Plug in the power cord only after the motor has cooled down, and wait for at least 15 minutes to make sure the thermal overload protector has recovered.	
	A fuse has blown or a circuit breaker has been tripped.		Replace the fuse or reset the circuit breaker.
			Verify that the fuse has the proper amperage.
			Check for low voltage conditions.
		The air tank pressure exceeds the preset power switch limit.	The motor will start automatically when the tank pressure drops below the cut-in pressure.
	The safety valve is stuck open.	Clean or replace the safety valve.	
Electrical connections are loose.	Contact an authorized service center.		
The motor, capacitor, or safety valve is defective.	Contact an authorized service center.		
The motor runs continuously when the power switch is in the ON position.	The power switch does not shut off the motor when the air compressor reaches the cut-out pressure and the safety valve activates.	Set the power switch to the OFF position. If the motor does not shut off, unplug the air compressor. If the power switch is defective, replace it.	
	The compressor's capacity is not enough.	Check the air requirements of the accessory that is being used. If it is higher than the CFM (Cubic Feet per Minute) and pressure supplied by the compressor, a larger capacity air compressor is needed. Most accessories are rated at 25% of actual CFM while running continuously.	
The regulator does not regulate the pressure.	The regulator or its internal parts are dirty or damaged.	Replace the regulator.	
The pressure is low or there is not enough air.	There is a leak at one of the fittings.	Check the fittings with soapy water. Tighten or reseal leaking fittings (apply plumber's tape on threads). Do not over tighten.	
	The drain valve is open.	Close the drain valve.	
	The air intake is restricted.	Clean or replace the air filter element.	
	Prolonged excessive use of air.	Decrease the amount of air used.	
	There is a hole in the air hose.	Check the air hose and replace it if necessary.	
	The tank leaks.	Replace the tank immediately. Do not attempt to repair it. Replace the tank	
	The valve is leaking.	Check for worn parts and replace them if necessary. Check for worn parts and replace them if necessary.	
There is moisture in the discharge air.	There is condensation in the air tank caused by a high level of atmospheric humidity or because the air compressor has not been running long enough.	Drain the air tank after each use. Drain the air tank more often in humid weather and use an air-line filter.	
The compressor overheats.	The ventilation is inadequate.	Relocate the compressor to an area with cool, dry and well-circulated air.	
	Cooling surfaces are dirty.	Clean all cooling surfaces on the pump and the motor thoroughly.	
	The valve is leaking.	Replace worn parts and reassemble using new plumber's tape.	

20-Gallon Quiet Air Compressor

EXPLODED VIEW



20-Gallon Quiet Air Compressor

PARTS LIST

ITEM	DESCRIPTION	QTY.
1	Air Tank	1
2	Pressure Regulator	1
3	Pressure Regulator Knob	1
4	Control Panel	1
5	Quick Coupler	2
6	Pressure Gauge	2
7	Rubber Hose	1
8	Power Cord	1
9	Aluminum Tube	1
10	End Cap	1
11	Power Switch	1
12	Check Valve	1
13	Safety Valve	1
14	Handgrip	1
15	O-Ring	2
16	Metal Tube	1
17	Elbow Fitting	1
18	Motor Pump Assembly	1
19	Heat Shroud	1
20	Air Filter	2
21	Capacitor Shroud	1

ITEM	DESCRIPTION	QTY.
22	Capacitor	1
23	Cushion Pad	4
24	Capacitor Plug	1
25	Crimping Cap	2
26	Mount Plate	1
27	Clamp	1
28	Rubber Foot	2
29	Card Cap	2
30	Wheel	2
31	Drain Valve	1
101	Screw M4x10	1
102	Bolt M5x12	7
103	Flange Nut M5	4
104	Screw M4x17	4
105	Screw ST4.8x14F	2
106	Screw ST3.9x14F	2
107	Flange Nut M8	8
108	Bolt M8x40	4
109	Bolt M10x25	2
110	Washer Ø10	2
111	Flange Nut M10	2

20-Gallon Quiet Air Compressor

WARRANTY

GLOBAL 20 GAL (75.7 L) QUIET AIR COMPRESSOR

If this compressor fails due to a defect in material or workmanship within 3 years from the date of purchase, return it to store with the original bill of sale for further analysis. This warranty does not include expendable parts including but not limited to blades, brushes, belts, light bulbs. This warranty covers defects in material or workmanship only. It does not cover normal wear and tear, failure due to abuse/misuse, or defects caused by careless or accidental mishandling. If this product is used for commercial or rental purposes, this warranty does not apply.