

Assembly Instructions
Instrucciones de Ensamblaje
Directives d'assemblage

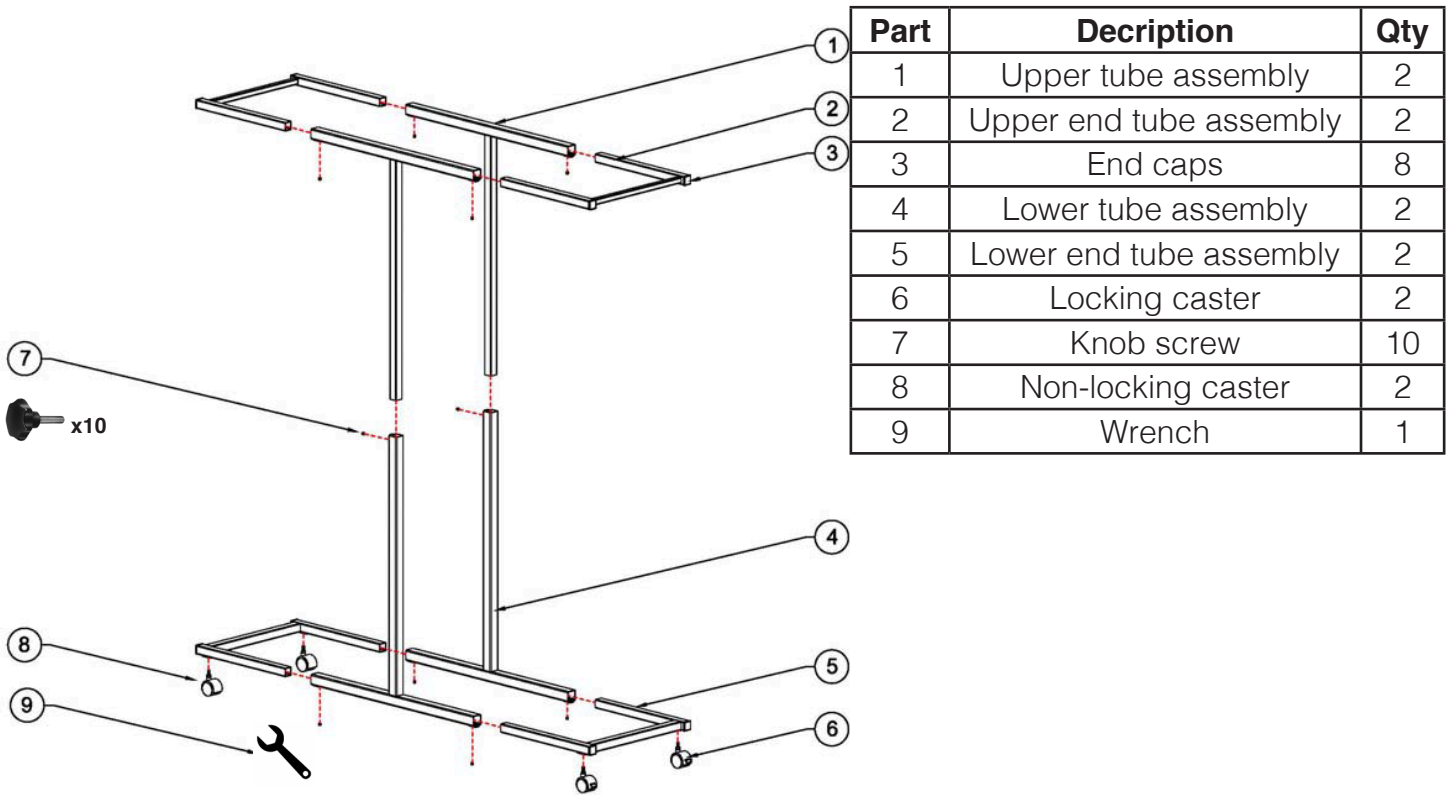
 Customer Service
 US: 1-800-645-2986

 Servicio de atención al Cliente
 US: 1-800-645-2986

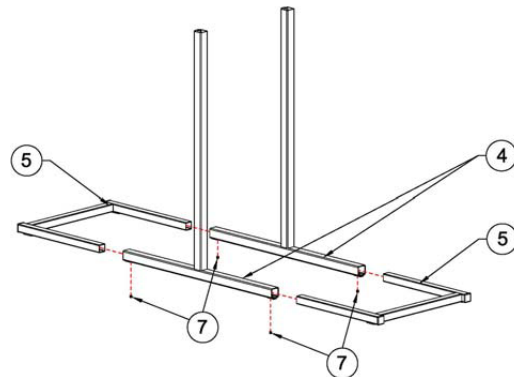
 Service à la clientèle
 Canada: 888-645-2986

Mobile Plan Center Model no. 316111

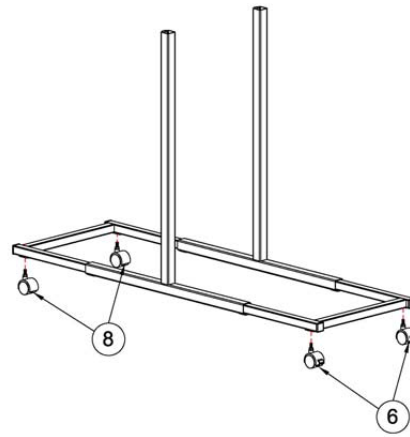
Assembly Instructions



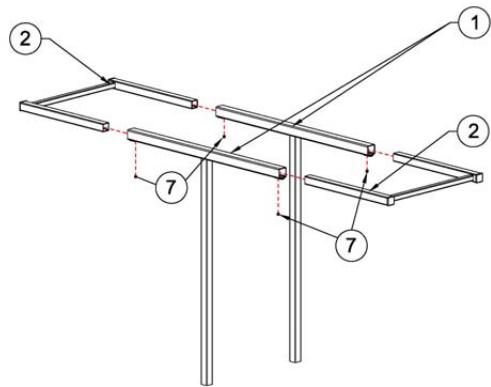
1. Insert lower end tube assemblies (part 5) with caster weld nuts facing down into lower tube assemblies (part 4). Adjust to size of clamp being used and fasten four knob screw (part 7) into lower tube assembly.



2. Screw casters (part 6 and part 8) into lower end tube assembly and tighten with wrench (Part 9).



3. Insert upper end tube assemblies (part 2) into upper tube assemblies (part 1). Adjust to size of clamp being used. Fasten four knob screws (part 7) into upper tube assembly (part 1).



4. Slide upper frames into lower frames. Adjust to size of clamp being used and fasten two knob screws (part 7) into lower tube assembly.

