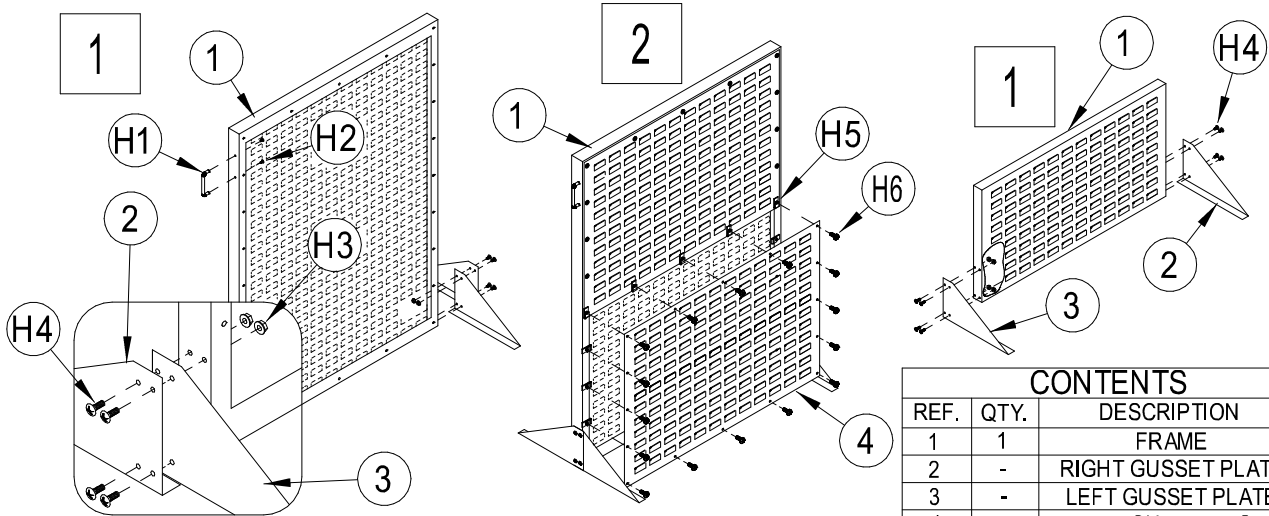
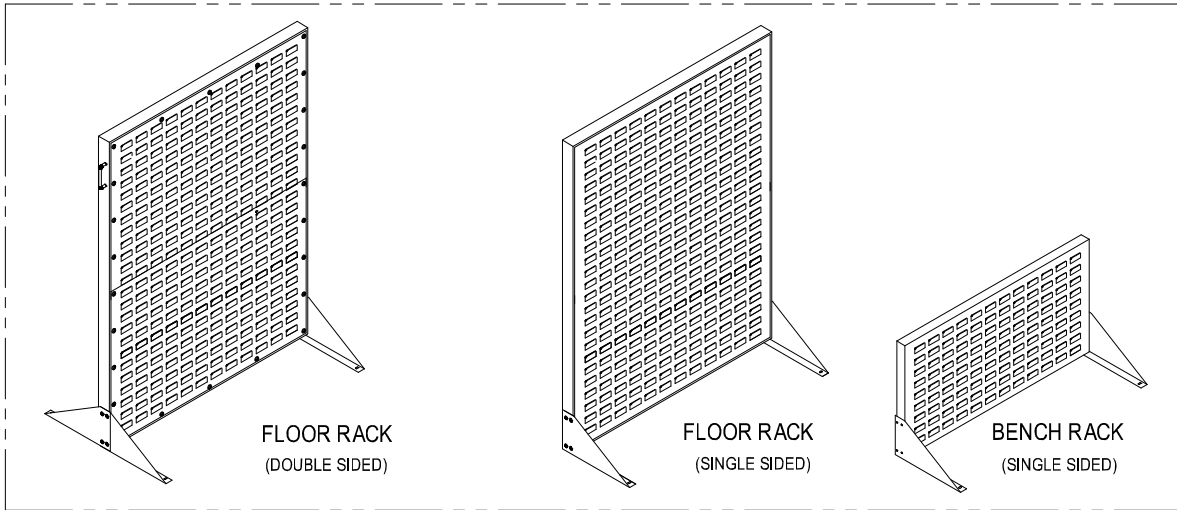
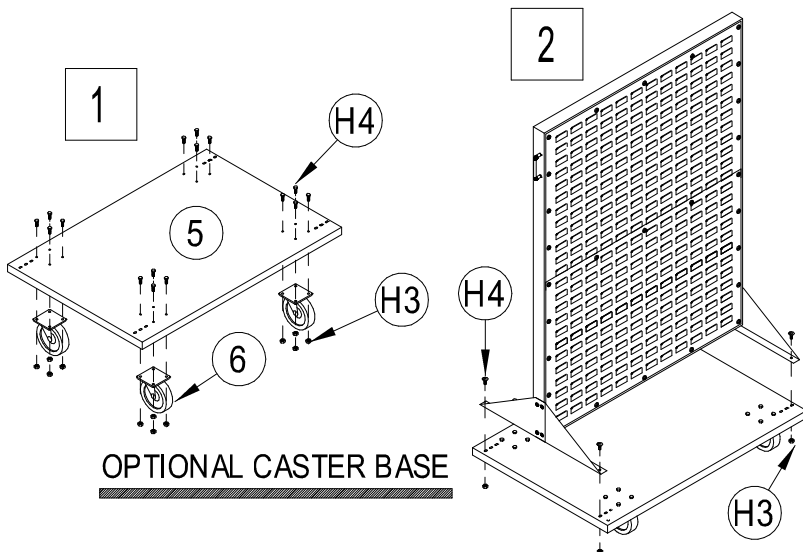


BIN RACK

ASSEMBLY INSTRUCTION



CONTENTS		
REF.	QTY.	DESCRIPTION
1	1	FRAME
2	-	RIGHT GUSSET PLATE
3	-	LEFT GUSSET PLATE
4	-	LOUVER RACK
5	1	(OPTIONAL) CASTER BASE
6	4	(OPTIONAL) CASTERS
H1	1	(OPTIONAL)
H2	2	(OPTIONAL)
H3	8	
H4	8	
H5	27	(OPTIONAL)
H6	27	(OPTIONAL)



H3	20	
H4	20	