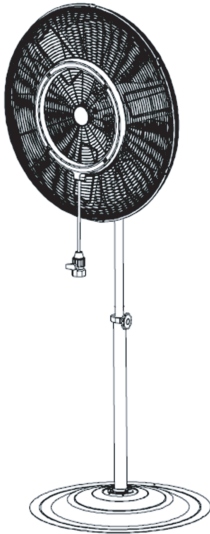




Continental Dynamics

Assembly Instructions	Instrucciones de Ensamblaje	Directives d'assemblage
Customer Service US: 1-800-645-2986	Servicio de atención al Cliente US: 1-800-645-2986	Service à la clientèle Canada: 888-645-2986

## Pedestal Misting Fan - Outdoor Rated - Oscillating



Model 293071 - 24" Pedestal Misting Fan -  
Outdoor Rated - Oscillating - 7435 CFM - 1/7 HP

Model 293072 - 30" Pedestal Misting Fan -  
Outdoor Rated - Oscillating - 7204 CFM - 1/7 HP

Read this manual thoroughly prior to installation, operation or maintenance. Keep these instructions in a safe location for future reference. For questions, visit [globalindustrial.com](http://globalindustrial.com) or contact Customer Service at 1-800-645-2986.

Read all instructions before use. To reduce the risk of fire, electric shock, or injury to persons when using this appliance, follow the following precautions.

- DO NOT use the fan when there is damage to the cable cord or plug. If the supply cord is damaged, it has to be replaced.
- Fit the guard onto the fan before starting up the fan.
- Plug into a grounded 3 prong outlet.
- DO NOT remove the ground prong.
- DO NOT use extension cords.
- DO NOT use the fan close to fires.
- DO NOT insert your hand or other objects into the grill or into moving parts.
- DO NOT use the fan with any solid-state speed control devices.
- Unplug the fan before moving it or performing maintenance.
- Do NOT touch the fan when your hands are wet.
- Unplug the fan when it is not in use.
- DO NOT unplug the fan by pulling the cable cord. Only pull the plug.
- DO NOT immerse the fan in water.

# **Pedestal Misting Fan - Outdoor Rated - Oscillating**

User's Manual

## **Table of Contents**

<b>MAIN PARTS</b>	<b>2</b>
<b>ASSEMBLY INSTRUCTION</b>	<b>3</b>
<b>OPERATING INSTRUCTIONS</b>	<b>8</b>
<b>CARE AND MAINTENANCE</b>	<b>9</b>

# Pedestal Misting Fan - Outdoor Rated - Oscillating

User's Manual

## MAIN PARTS

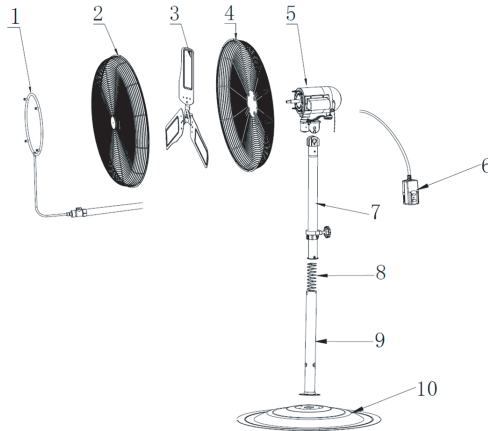


Fig. 1.

Part No.	Description	Quantity
1	Misting Device	1
2	Front Guard	1
3	Blade	1
4	Rear Guard	1
5	Motor	1
6	Power Cord with GFCI plug	1
7	Upper Pole	1
8	Spring	1
9	Lower Pole	1
10	Base	1

# Pedestal Misting Fan - Outdoor Rated - Oscillating

User's Manual

## ASSEMBLY INSTRUCTION

1. Ensure the fan is NOT plugged into a power source and the fan is OFF. Insert five screws (2) through the holes in the upper pole (1) and then attach the upper pole to the base. See Fig. 2.

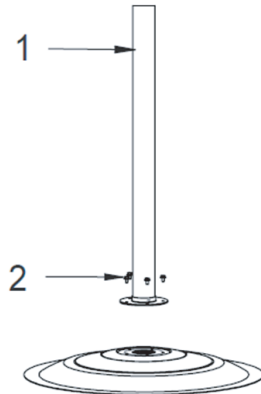


Fig. 2.

2. Loosen and remove the three screws (1) on the upper pole (2). Place the spring (4) into the lower pole (4). Insert the upper pole (2) into the lower pole (4), making sure the holes are aligned. Insert the three screws (1) into the lower pole (4) and tighten them. Adjust the height of the upper pole (2) as desired and secure using the adjusting knob. See Fig. 3.

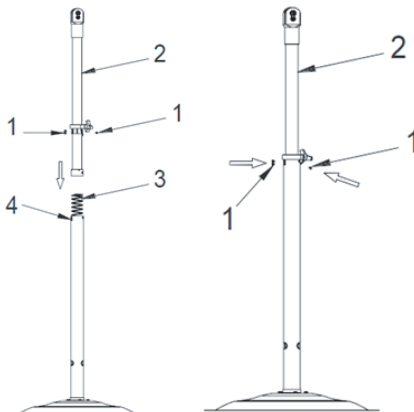


Fig. 3.

# Pedestal Misting Fan - Outdoor Rated - Oscillating

User's Manual

3. Insert a bolt (5) into the hole on the neck bearing (found on the motor) and into the top of the upper pole. Secure them together using a bushing (1) and a nut (2). Insert one bolt (6) through the hole in the neck bearing and into the top of the upper connecting pole and secure them using a bushing (4) and a nut (3). See Fig. 4.

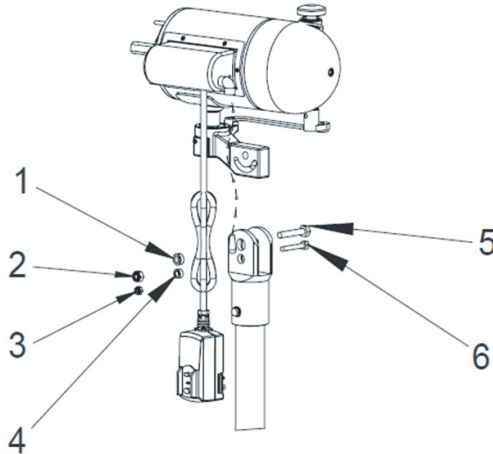


Fig. 4

4. Remove four sets of hexagonal nuts, spring washers, and big washers from the motor. Retain for future use.

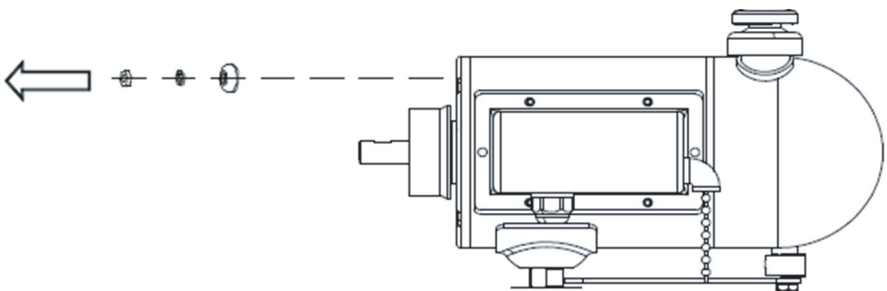


Fig. 5.

# Pedestal Misting Fan - Outdoor Rated - Oscillating

User's Manual

5. Attach the rear guard (4) to the screws found on the motor and secure them together using four bowl washers (1), four spring washers (2), and four nuts (3) from step 4. See Fig. 6.

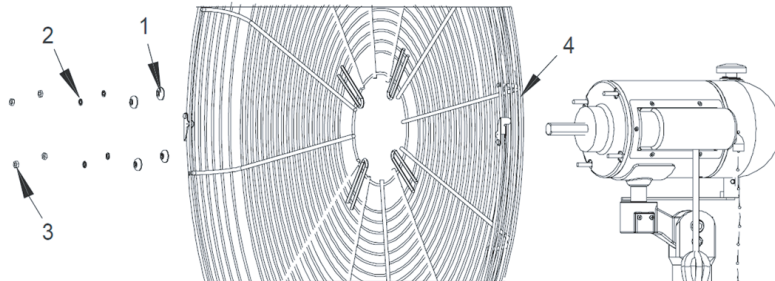


Fig. 6.

6. Assemble the blade (2) to the shaft on the motor and secure them together using two screws (1).

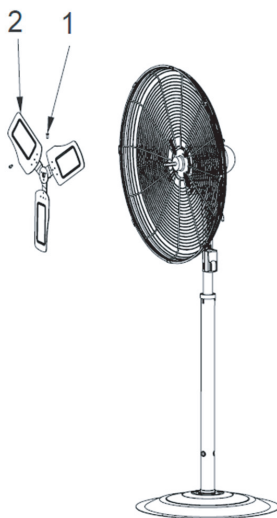


Fig. 7.

# Pedestal Misting Fan - Outdoor Rated - Oscillating

User's Manual

7. Position the front guard (1) such that the small hole on the edge aligns with the small hole at the bottom edge of the rear guard (2). Attach the front guard (1) to the rear guard (2) and secure them together using the clips on the front guard.

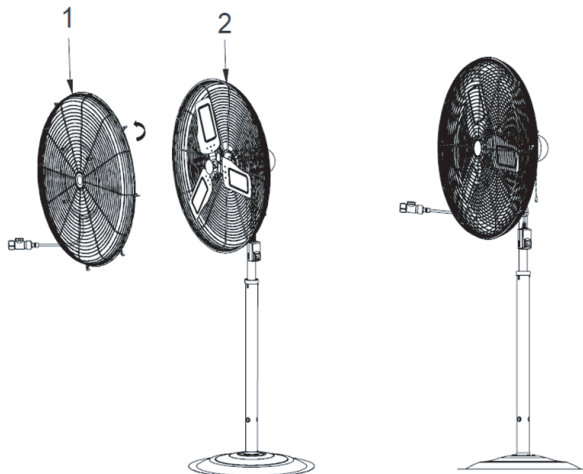


Fig. 8.

8. Secure the assembly on the front and rear guard by tightening the screw (1) and nut (2) in the small hole.

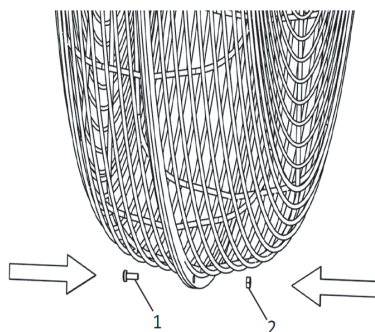


Fig. 9.

# Pedestal Misting Fan - Outdoor Rated - Oscillating

User's Manual

9. Connect the misting switch (1) to the water pipe (2) and tighten it. Turn the switch until it is parallel to the water pipe to open the misting function. Turn the switch until it is perpendicular to the water pipe to close the misting function.

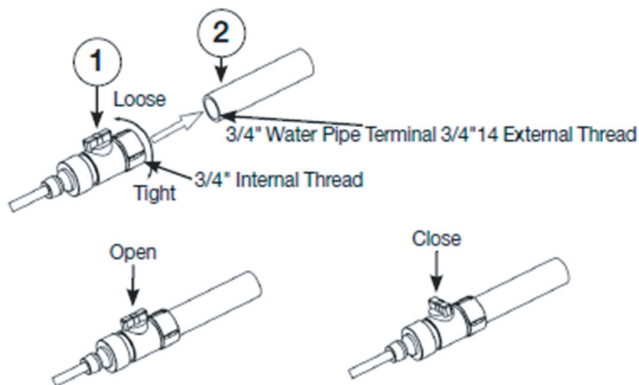


Fig. 10



# Pedestal Misting Fan - Outdoor Rated - Oscillating

User's Manual

## OPERATING INSTRUCTIONS

### 1. Test GFCI (Ground Fault Circuit Interrupter) plug BEFORE EACH USE.

- Plug GFCI into power outlet.
- Press RESET button (b). Indicator (a) should turn red.
- Press TEST button (c). Indicator (a) should turn off. GFCI plug is tripped.
- Press RESET button (b) again for use.
- DO NOT USE FAN IF THE ABOVE TEST FAILS.

### 2. ADJUSTING FAN SPEED

The fan has three speeds (LOW, MEDIUM and HIGH). Pull the chain (e) of the unit to adjust air flow to the desired speed.

### 3. USING THE OSCILLATING FEATURE

Pressing the oscillation knob (d) will allow the fan head to be turned. Pulling up on the oscillation knob (d) will lock the fan head at the desired position.

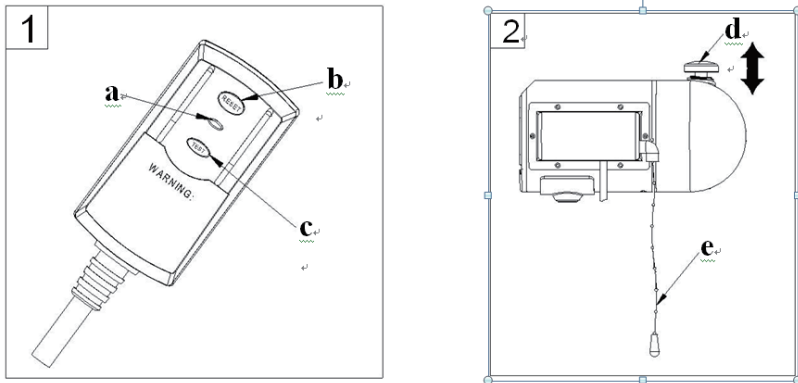


Fig. 15.

# Pedestal Misting Fan - Outdoor Rated - Oscillating

User's Manual

## CARE AND MAINTENANCE

Unplug the appliance before cleaning. Don't use any water for cleaning metal surfaces. Use a dust cloth or wipe to clean off the surfaces of the fan. Use a vacuum cleaner to remove dust from the grill or remove the front grill by removing the securing screws on the edge of the grill. After cleaning, remount the grill and fasten the screws on the edge of the grill.

### MISTING NOZZLE MAINTENANCE

If the misting nozzles become clogged, remove them from the grill and wash them by water. Use a non-metallic brush to scrub them. Never clean the nozzles with pins or other sharp objects.

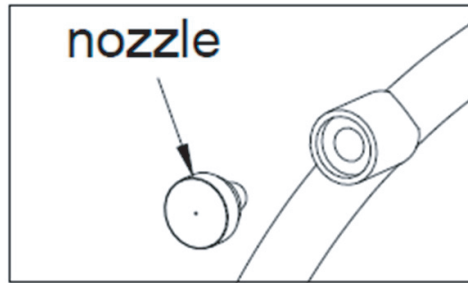


Fig. 16.

### MISTING HOSE VALVE MAINTENANCE

If the misting hose valve becomes clogged, unscrew it from the garden hose and flush it with running water to remove obstacles and debris.

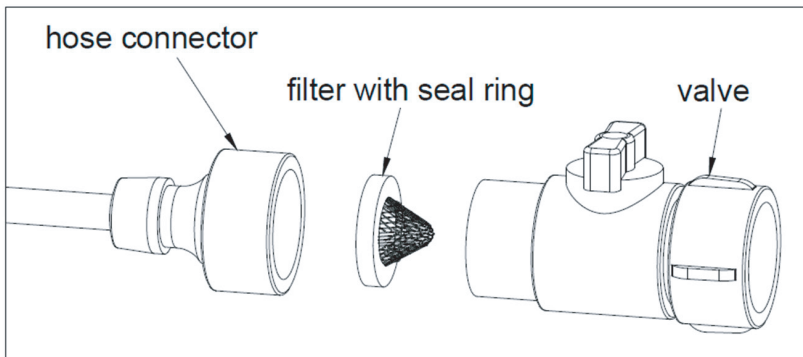


Fig. 17.