

OVERVIEW

The Endurance Bed is a versatile, heavy duty sleep surface and is ideal for continuous, intensive use in correctional or institutional environments. Molded in side slots for property box storage and increased structural span strength. Molded in end shelving for open storage of personal items. **Manufactured to ISO Quality Standards in the USA.**

Designed for use with 30" x 75" mattress.

FABRICATION/MATERIAL

Durable, one piece, rotationally molded design for increased strength. Constructed of high impact polyethylene. No steel or wood components. Flame Retardant (as shown passes Cal 133). Test reports available upon request.

COLOR Black, Blue Gray, Brown, Green, Slate Blue, custom colors available upon request.

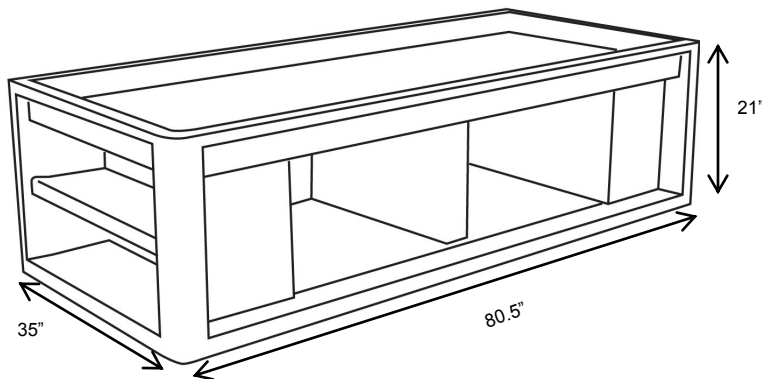
WEIGHT 110 lbs.

OPTIONS N/A

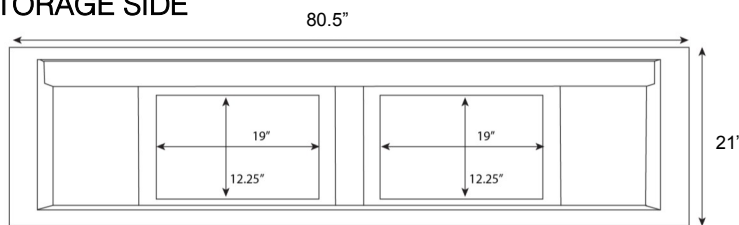
ASSEMBLY Bolt to the floor via concealed pilot holes with hardware of your choice.

WARRANTY 10 Year Warranty.

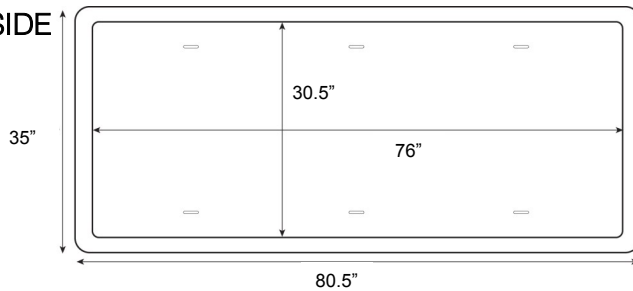
MAINTENANCE Easy to clean and maintain with damp cloth. Resistant to stains.



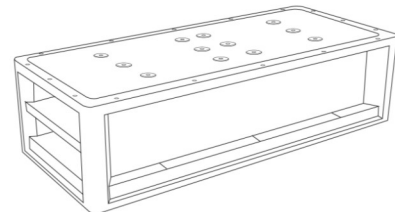
STORAGE SIDE



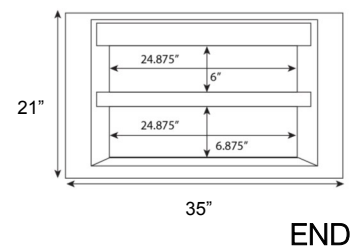
TOP SIDE



Item #	Color
7601BK	Black FR
7601SB	Slate Blue FR
7601GN	Green FR
7601BN	Brown FR
7601G	Blue Gray FR



CLOSED SIDE



END

ENDURANCE BED BOLT LOCATIONS

