

### OVERVIEW

The Sentinel Arm Chair has an EXTREME load capacity. Can be used as stand alone or be ganged together. Can be bolted together, in place, as well as to the floor via concealed pilot holes. Can be easily filled with sand through ballast door on site to weigh down. Secures with tamperproof screws. **Manufactured to ISO Quality Standards in the USA.**

### FABRICATION/MATERIAL

Durable, one piece, rotationally molded design for increased strength. Constructed with high impact "no break" polyethylene. No steel or wood components Flame Retardant (as shown passes Cal 133). Test reports available upon request.

**COLOR** See Chart Below, custom colors available upon request.

**WEIGHT** 30 lbs.

**OPTIONS** Can be bolted to the floor via concealed pilot holes and can be filled with sand through ballast door on site to weigh down.

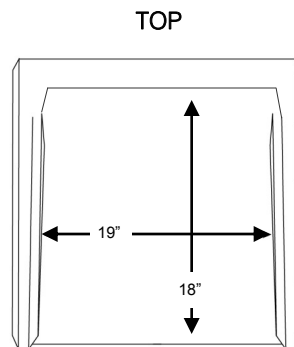
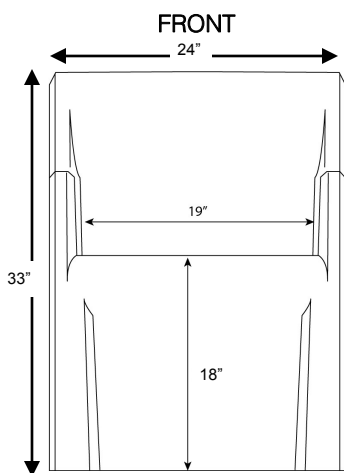
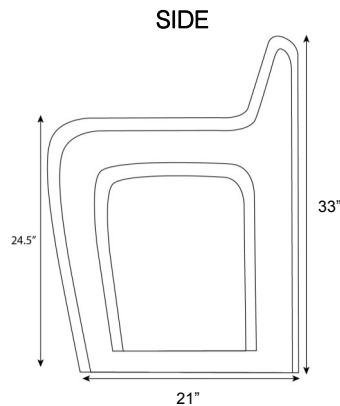
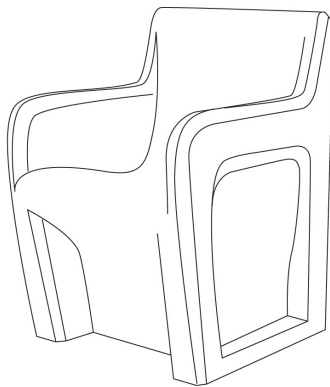
**ASSEMBLY** N/A

**WARRANTY** 10 Year Warranty.

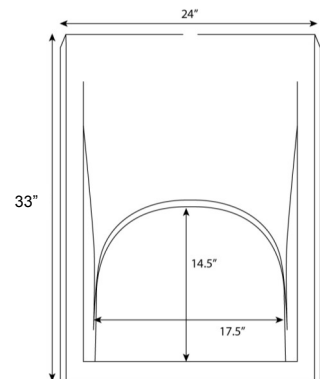
**MAINTENANCE** Easy to clean and maintain with damp cloth. Resistant to stains.

**STATIC LOAD** 1500 lbs.

Item #	Color
106484GR	Green
106484BK	Black
106484BR	Brown
106484BG	Blue Gray
106484SB	Slate Blue
106484GRS	Green w/Access Door
106484BKS	Black w/Access Door
106484BRS	Brown w/Access Door
106484BGS	Blue Gray w/Access Door
106484SBS	Slate Blue w/Access Door



BACK w/ACCESS DOOR



**THE SENTINEL ARM CHAIR BOLT LOCATIONS**

