

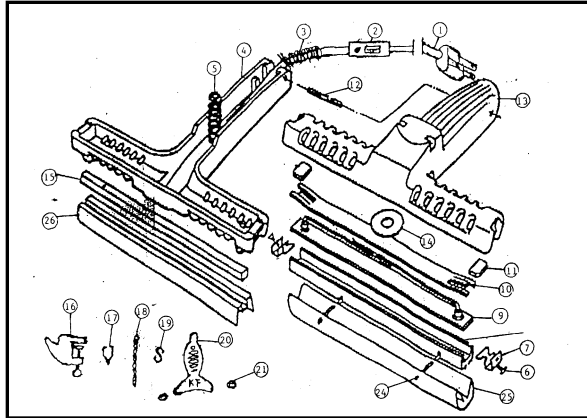
# Portable Sealers **KF-150PS, KF-150CST, KF-150CSTA**

**LIGHTWEIGHT AND VERSATILE** sealer that can be used anywhere

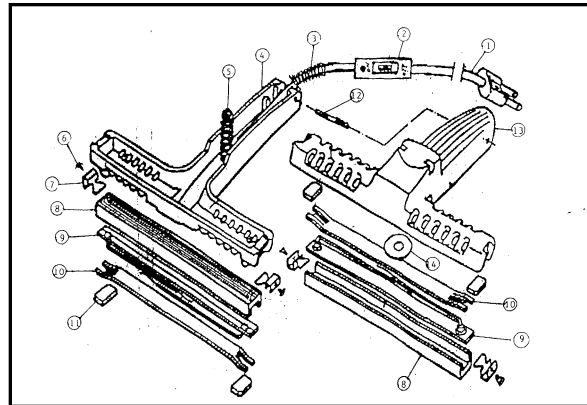
**Model KF-150PS** makes a perfect 6" long, strong seal on poly bags and other thermoplastic materials.

**Model KF-150CST** is a 6" **Teflon-coated** direct heat sealer with a serrated jaw. Ideal for sealing cellophane, coated aluminum foil, Kraft paper, and other thicker materials.

## KF-150PS



## KF-150CST



## easy to operate

Simply place bag between the sealing bars, press down, and release.

## directions for operation

**Step I.** Insert power plug into socket.

**Step II.** Allow the sealer to heat up approximately 5 minutes (warm-up time will vary with the thickness of the bag to be sealed). Choose either the low setting for a light material or a the high setting for thicker materials. **The KF-150CSTA has 8 different temperature settings. We recommend starting at the lowest setting and gradually moving up as needed.**

**Step III.** After a suitable temperature has been reached, put the bag edge between the heated sealing bars and press down for 3 seconds. If the seal weld holds, continue this way.

*\*If the welding appears to damage the bag, apply pressure on the sealing bar for less than 3 seconds. If the welding appears incomplete, apply pressure for more than 3 seconds.*

## notes

- Never touch the heated bars of the unit
- Never allow a liquid to come in contact with the unit
- Never shock or drop the unit
- Always have the heating element covered with PTFE protection for the KF-150PS model
- Keep the heating element and silicone of the KF-150PS clean
- Always unplug the unit when not in use.
- Always allow the unit to cool down before putting away

## parts list

No.	Description	No.	Description
1	AC Cord	13	Upper Cover
2	Power Switch	14	Washer
	Temperature Controller	15	Silicone Rubber
3	Protected Spring	16	Clamp
4	Down Cover	17	Support Hook
5	Reverted Spring	18	Iron Chain
6	Fixed Screw	19	S Connector
7	Side Fixed Plate	20	Foot Pedal
8	Top/Bottom Sealing Jaw	21	*Rubber Foot (not shown)
9	Heating Element	24	Pin for Teflon Cloth
10	Heat Element Fixed Plate	25	Teflon Cloth
11	Insulated Washer	26	Silicone Rubber Holder
12	Fixed Bolt		*Clamp & Pedal Set #16-21