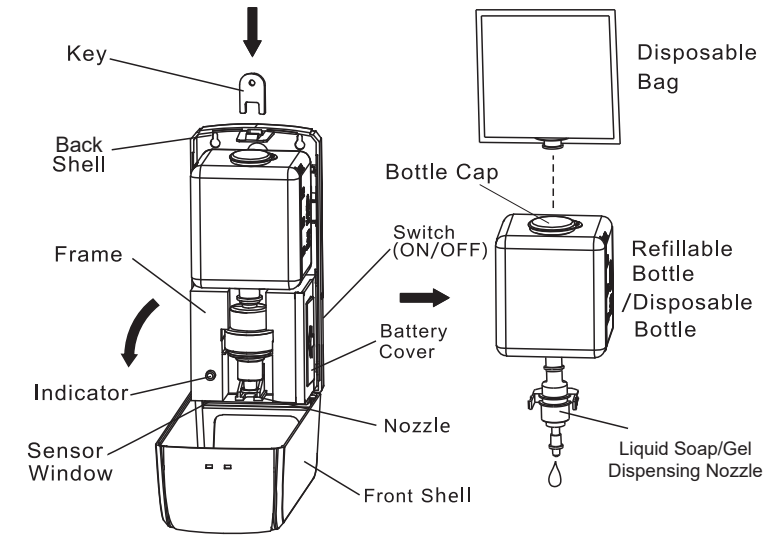
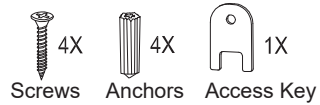
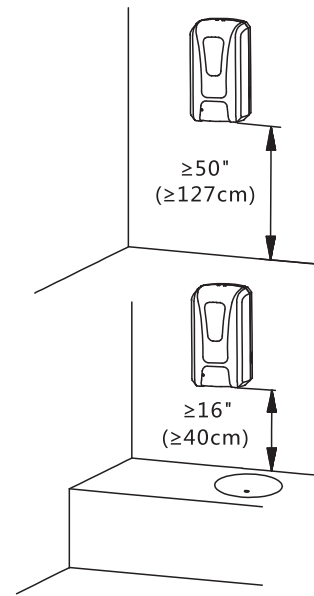


1X \*

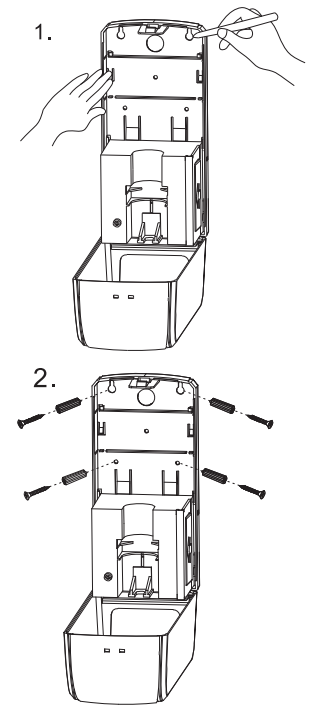


**B Part Breakdown**



Keep away from direct sunlight and extreme humidity

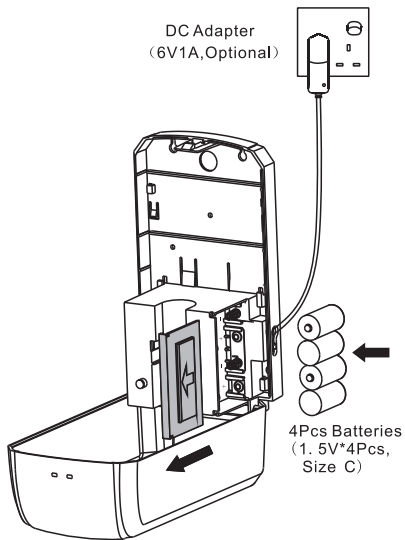
**C Height from Floor/Table**



**D Mount using Screws**

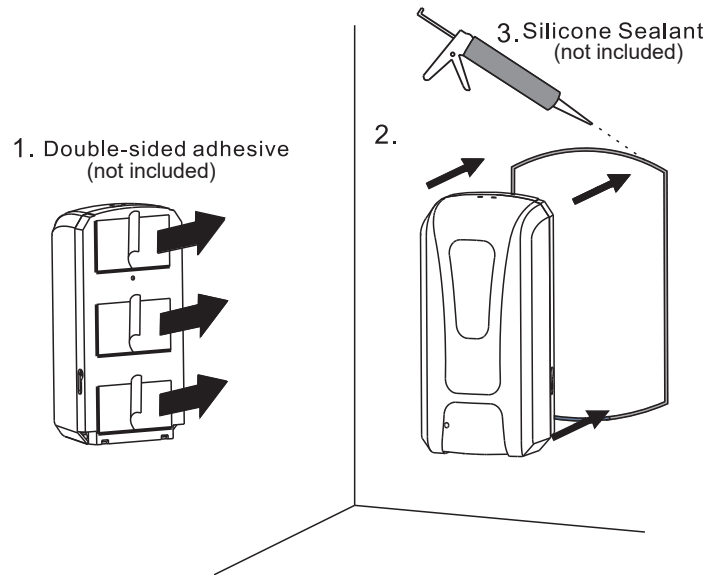
**A Package Contents**

For additional questions or concerns, contact Global Industrial Customer Service at 1-800-645-2986 or visit www.globalindustrial.com.

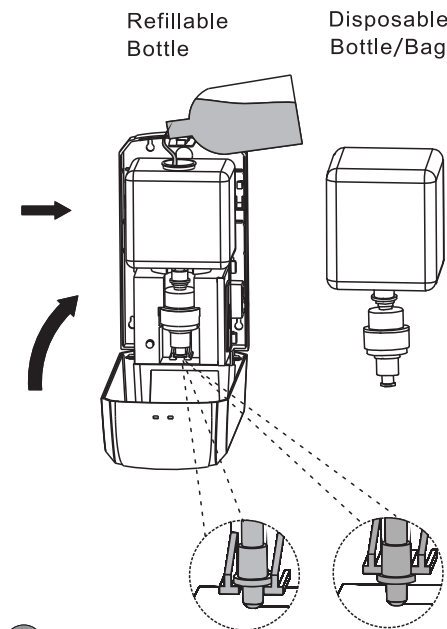


Note: Batteries and DC Adapter not included.

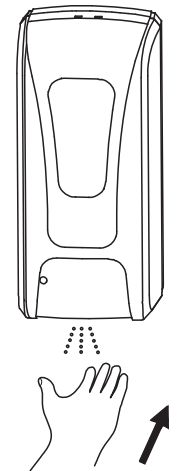
**E Install Batteries/DC Adapter**



**F Mount using Adhesive Backing (no screws)**



**G Fill Liquid**



- UV disinfection
- LED Light:
  1. green color 5 seconds flush: working condition
  2. red color 5 seconds flush: low power for battery and change
  3. red color 2 seconds flush: something under sensor, remove it
- Sensing Distance: 3.2"-4.7"

**H Installation Complete**