

**User's manual****Manual del usuario****Manuel de l'utilisateur****Customer Service**  
US: 1-800-645-2986**Servicio de atención al Cliente**  
US: 1-800-645-2986**Service à la clientèle**  
Canada: 888-645-2986

## Roof Axial Exhaust Fans

**Models: 604136, 604137, 604138, 604139**

### Direct Drive Axial Exhaust Fans

Axial exhaust fans are suitable for roof or wall mounting in commercial ventilation applications, they are the perfect low-cost choice for areas that have little or no duct work.

### Features & Benefits

- Suitable for roof or wall mounting
- Axial impellers constructed with die formed blade riveted to a steel hub
- Spun aluminum housing for weather-resistant durability
- Wire conduit provides a clear channel for electrical connections
- Bird screen
- Totally enclosed, permanently lubricated, ball bearing motor
- Disconnect switch
- 110F max. temperature rating
- Available in 115V 1 phase
- Diameter range from 10" to 18"
- Direct drive capacities to 2,400 cfm

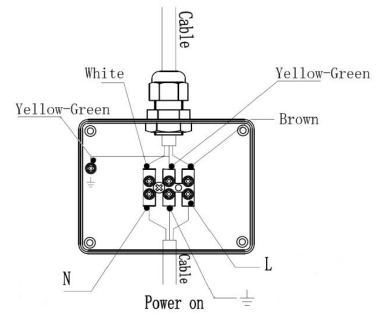
### Applications

- General ventilation
- Mechanical room exhaust
- Warehouse exhaust

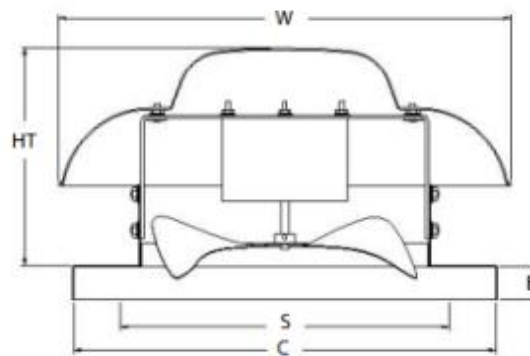
# Roof Axial Exhaust Fans

## Installation and Safety Information

1. Make sure that the roof opening is ready before installation
2. Only qualified personnel are allowed to install this fan
3. Do not lift fan by aluminum hood, this may damage the hood, lift by base
4. Verify that the power source is compatible with the equipment
5. Follow all local electrical and safety codes as well as the National Electrical Code (NEC) and the National Fire Protection Agency (NFPA), where applicable. Follow the Canadian Electrical Code (CEC) in Canada
6. Open the terminal box and connect the wires, referring to the diagram on right.
7. Make sure that switch is at "off" side before connection
8. Do not allow the power cable to kink or come in contact with oil, grease, hot surfaces or chemicals. Replace cord immediately if damaged.
9. Always turn off the switch before installation and service
10. Motor is hot after long time running, let it cool first before any service



Model	RPM	MTP HP	FLA	AIRFLOW PERFORMANCE (CFM)							
				0" SP	0.125" SP	0.25" SP	0.375" SP	0.5" SP	0.625" SP	0.75" SP	0.875" SP
604136	1500	1/30	1.1	500	339	267	173	-	-	-	-
604137	1500	1/10	1.2	830	710	620	522	436	357	270	-
604138	1100	1/6	2.2	1160	899	786	646	521	384	236	-
604139	1100	1/3	4.5	2400	2034	1628	1491	1293	1084	881	662



Dimensions (Inches)

Model	HT	W	B	C	Weight (lbs)
604136	9.8 in (248.9mm)	18.3	2	19	24
604137	10.8 in (274.3mm)	20.3	2	19	32
604138	12.6 in (320mm)	27.3	2	21	45
604139	14.4 in (365.7mm)	33.6	2	26	67