

User Manual

Manual de Usuario

Manuel de l'Utilisateur

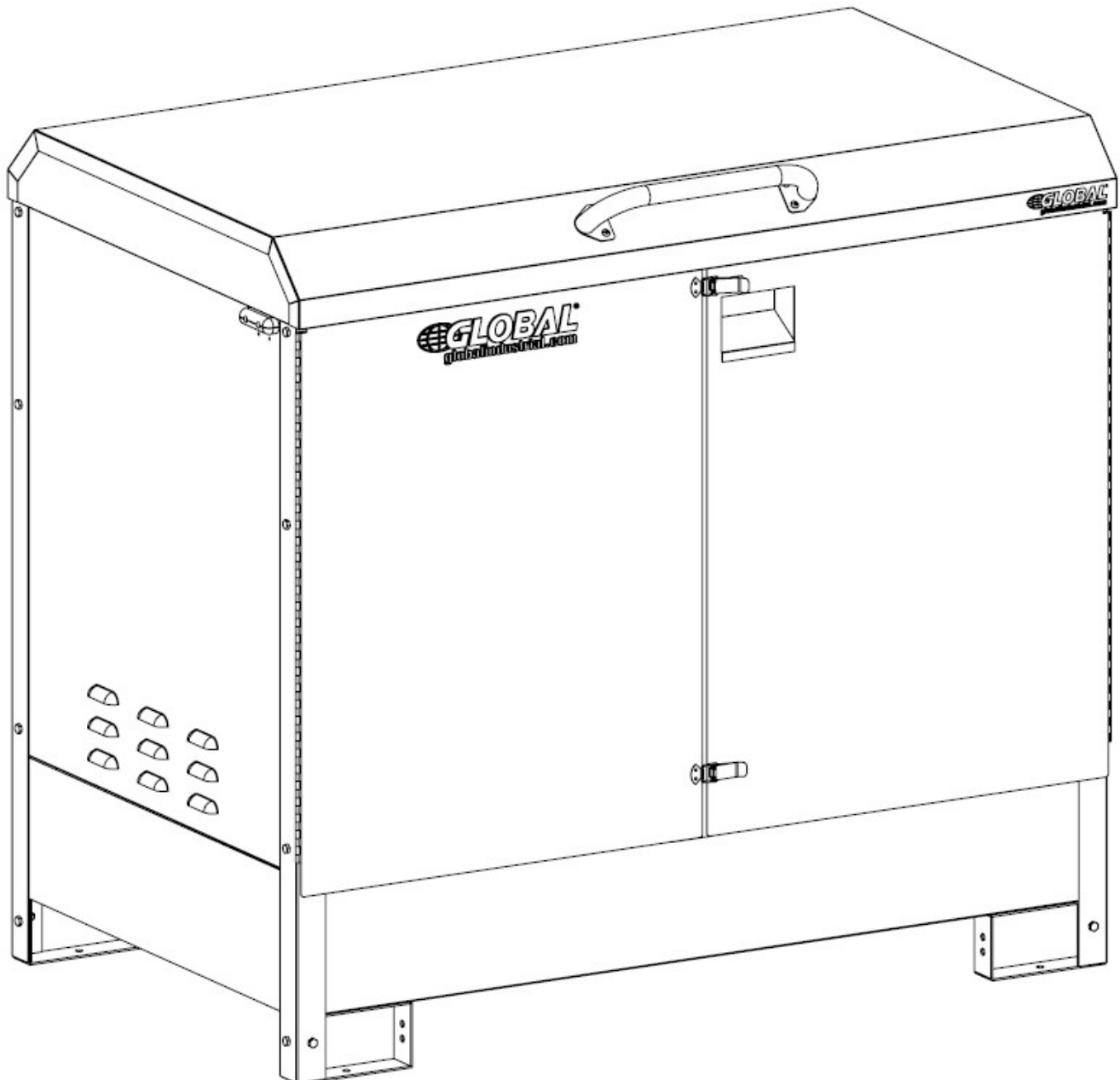
Customer Service
US: 1-800-645-2986

Servicio de atención al Cliente
US: 1-800-645-2986

Service à la clientèle
Canada: 888-645-2986

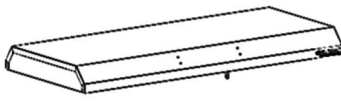
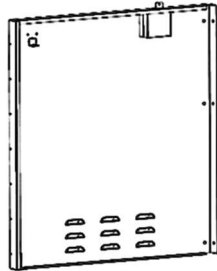
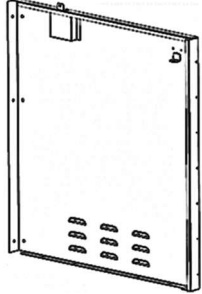
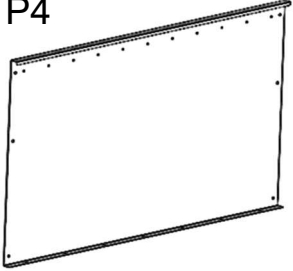

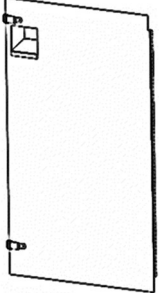
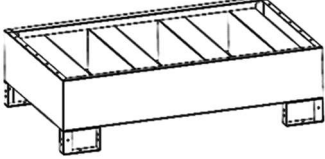
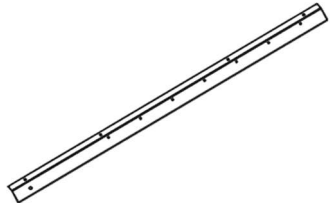
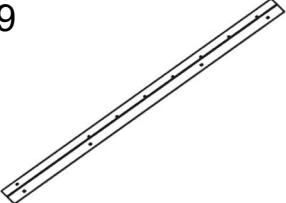
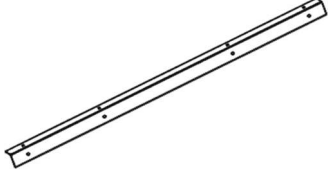
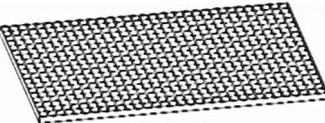
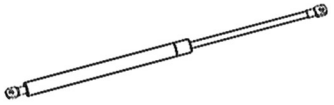
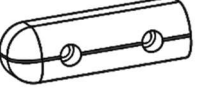
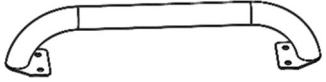

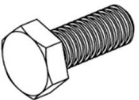
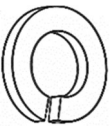

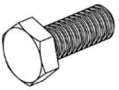


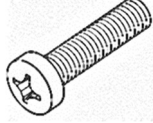
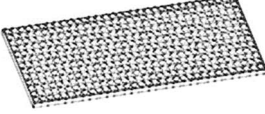
Outdoor Drum Cabinet 110 Gal. / 220 Gal. Capacity

Model
316100 / 316104



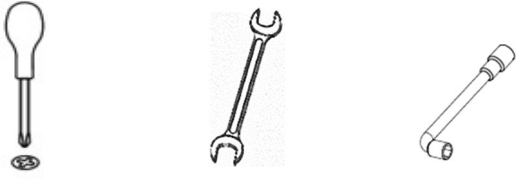
Outdoor Drum Cabinet 110 Gal. / 220 Gal. Capacity

Parts list

<p>P1</p>  <p>Cover x1</p>	<p>P2</p>  <p>Left Panel x 1</p>	<p>P3</p>  <p>Right Panel x 1</p>	<p>P4</p>  <p>Back Panel x 1</p>
<p>P5</p>  <p>Left Door x 1</p>	<p>P6</p>  <p>Right Door x 1</p>	<p>P7</p>  <p>Bottom x 1</p>	<p>P8</p>  <p>Left Post x 1</p>
<p>P9</p>  <p>Right Post x 1</p>	<p>P10</p>  <p>Back Post x 2</p>	<p>P11</p>  <p>Large Galvanized Steel Grid x 1</p>	<p>P12</p>  <p>Hydraulic Rod X 2</p>
<p>P13</p>  <p>Bumper x 2</p>	<p>P14</p>  <p>Handle x 1</p>	<p>P15</p>  <p>Chain Assy X 2</p>	<p>P16</p>  <p>M8*20 x 4</p>
<p>P17</p>  <p>Spring Washer x 4</p>	<p>P18</p>  <p>M8 Lock Nut x 49</p>	<p>P19</p>  <p>M8*15 x 45</p>	<p>P20</p>  <p>M6*12 x 33</p>
<p>P21</p>  <p>M6 Lock Nut x 33</p>	<p>P22</p>  <p>M6*25 x 4</p>	<p>P23</p>  <p>Small Galvanized Steel Grid x 1</p>	

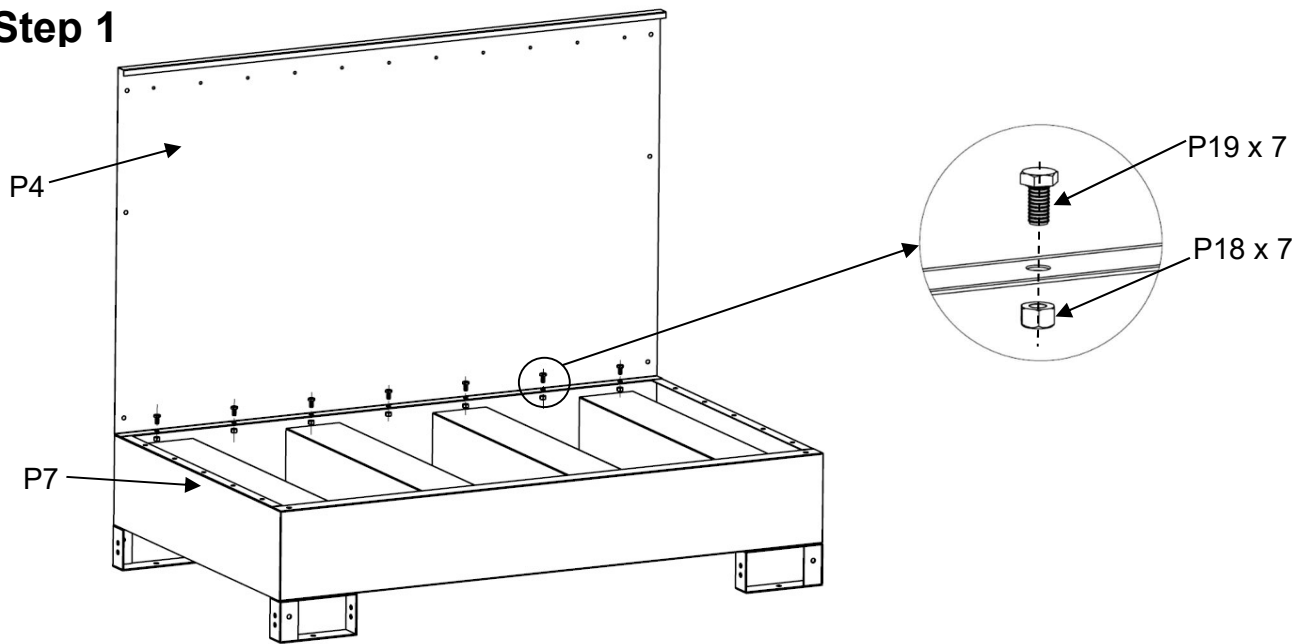
Outdoor Drum Cabinet 110 Gal. / 220 Gal. Capacity

Tools Required

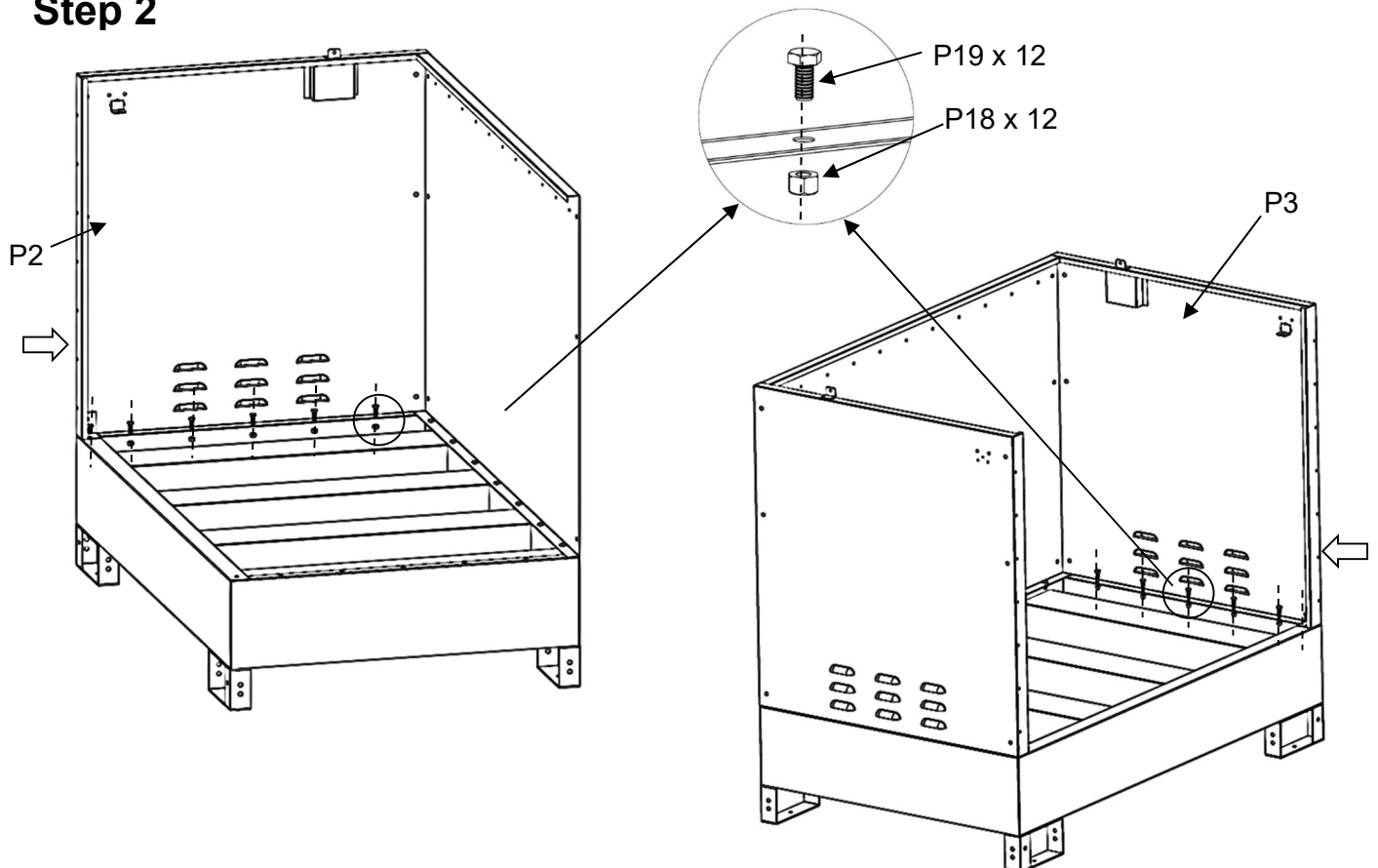


Assembly

Step 1

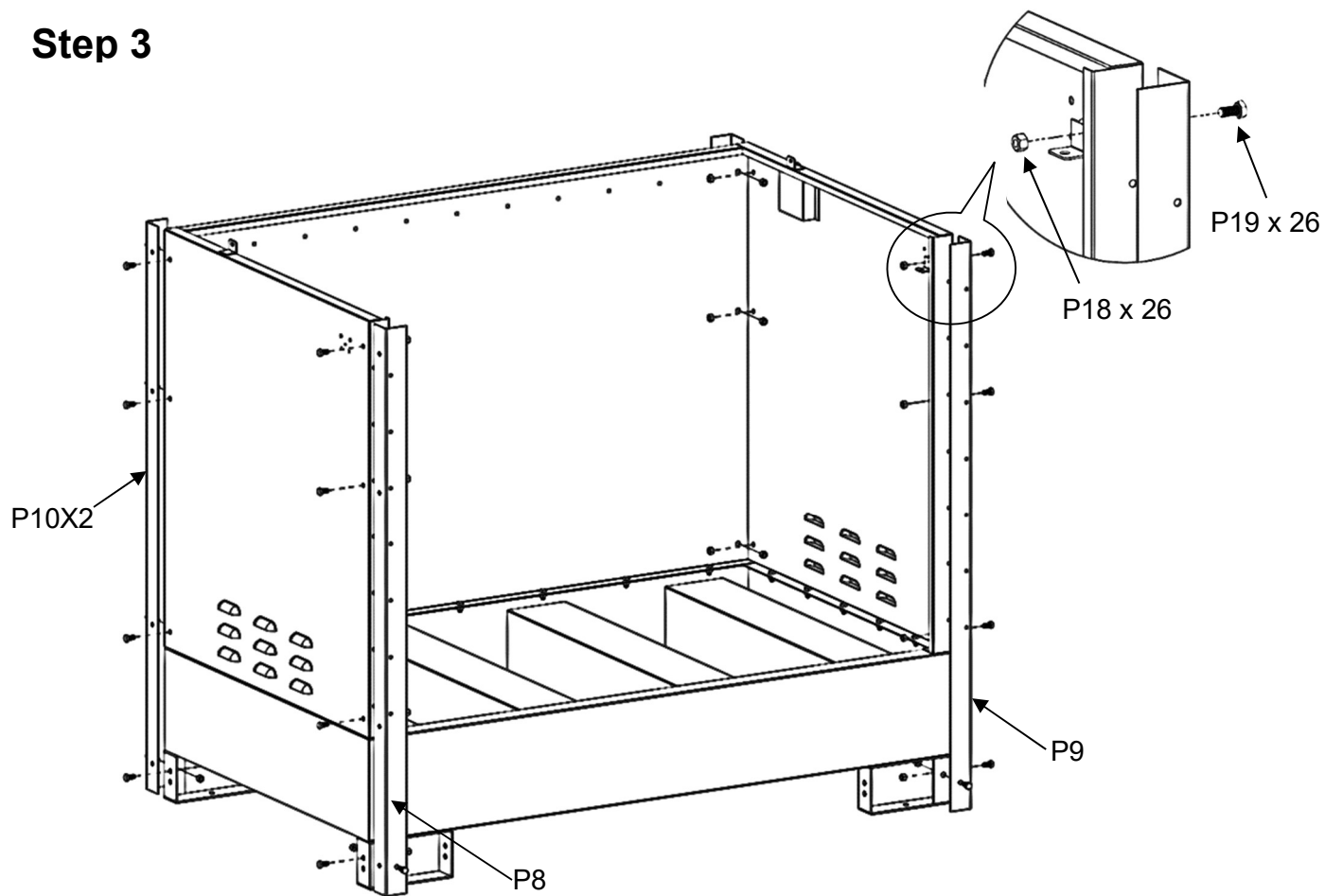


Step 2

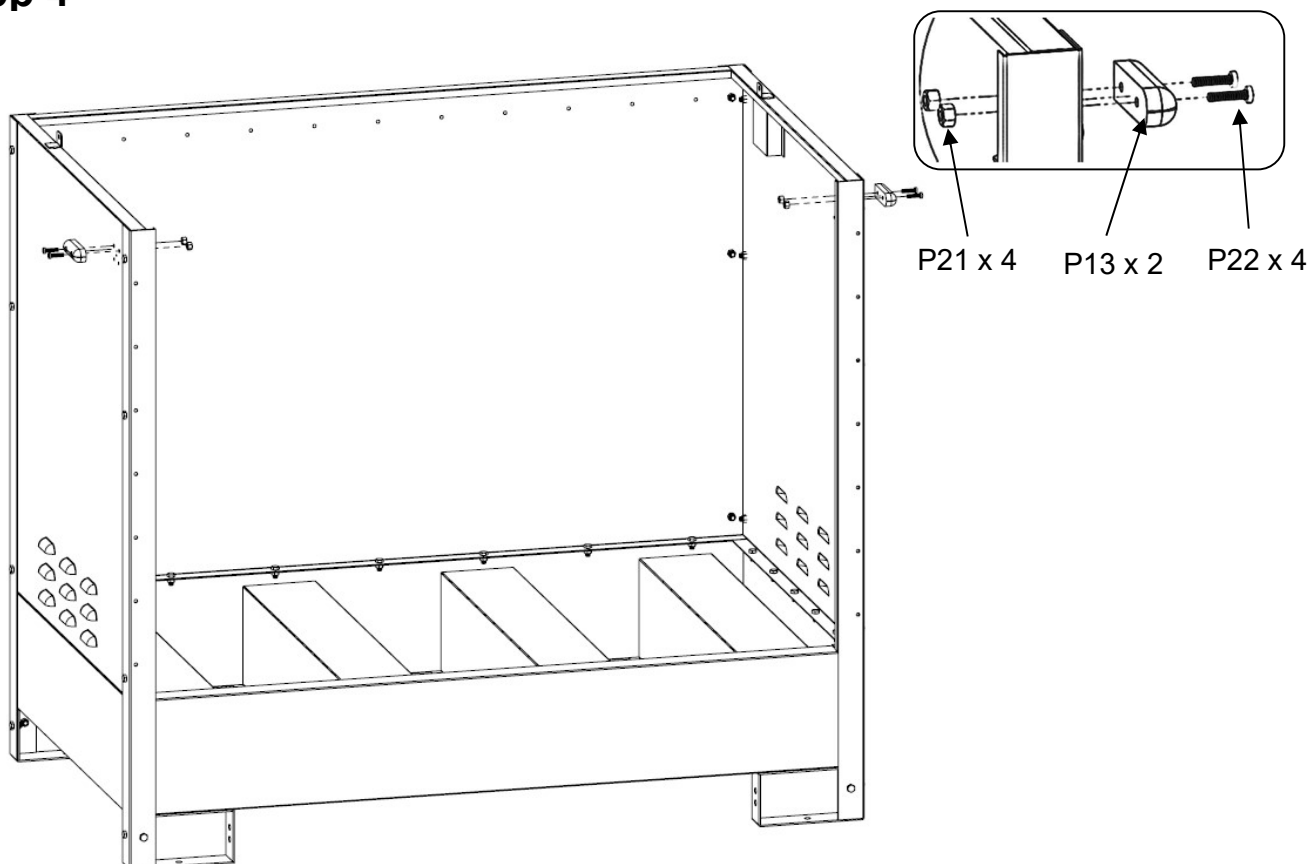


Outdoor Drum Cabinet 110 Gal. / 220 Gal. Capacity

Step 3

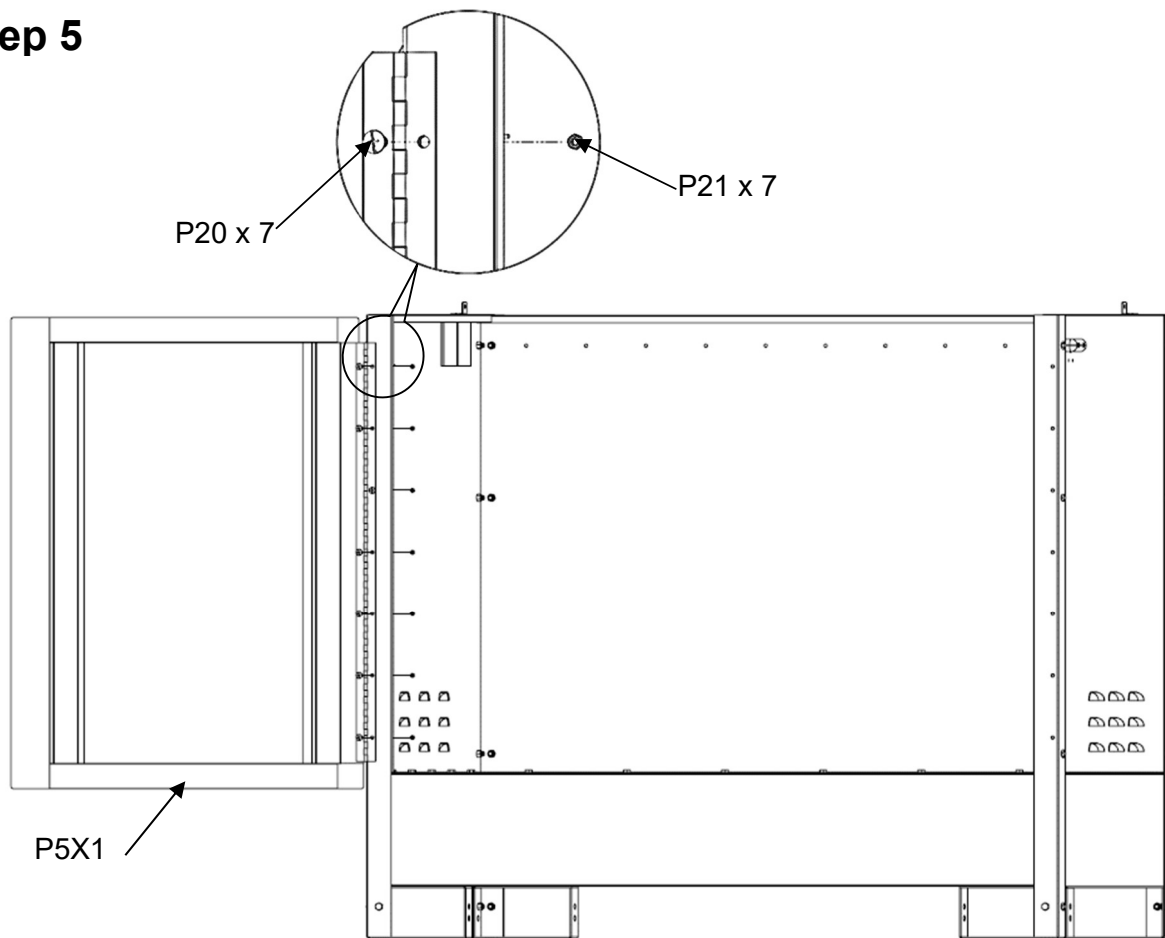


Step 4

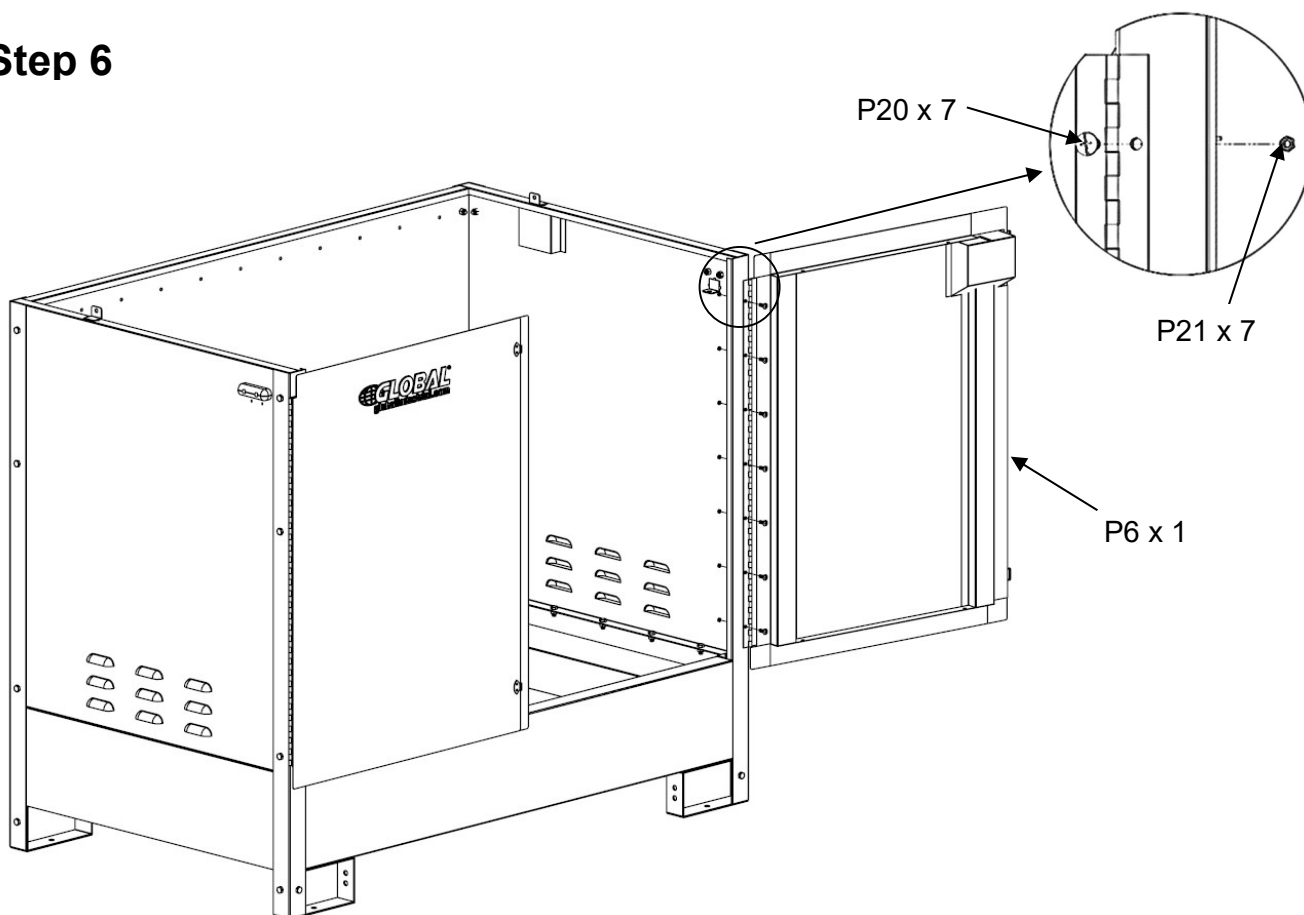


Outdoor Drum Cabinet 110 Gal. / 220 Gal. Capacity

Step 5

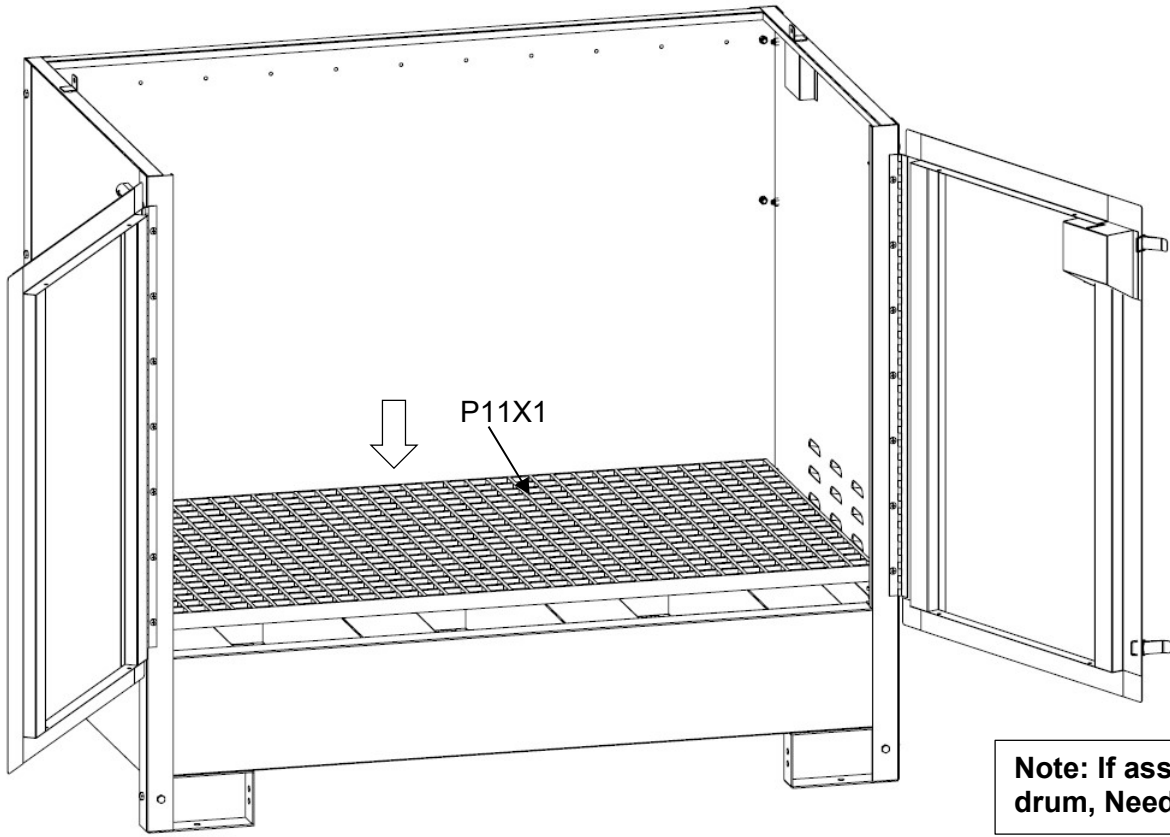


Step 6



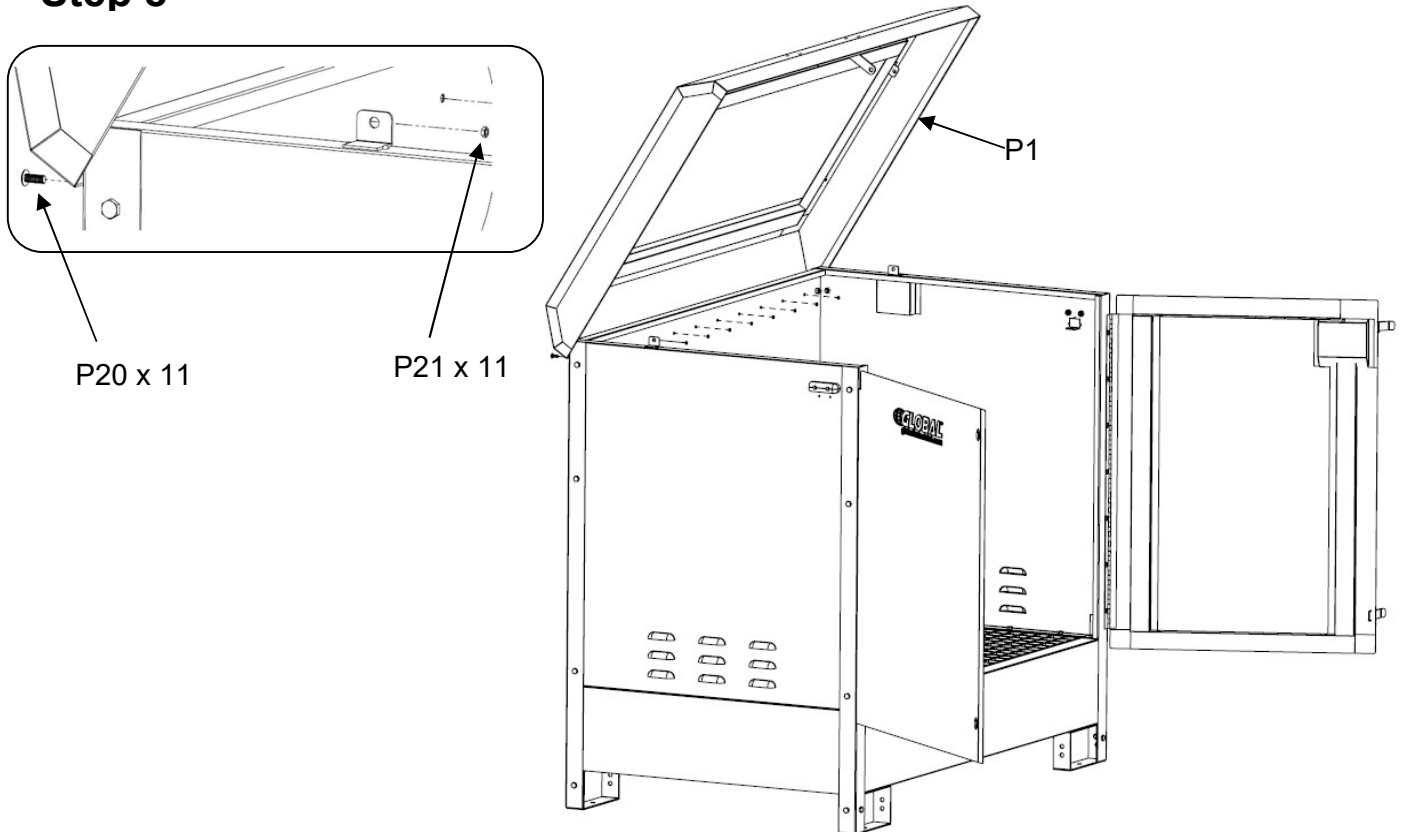
Outdoor Drum Cabinet 110 Gal. / 220 Gal. Capacity

Step 7



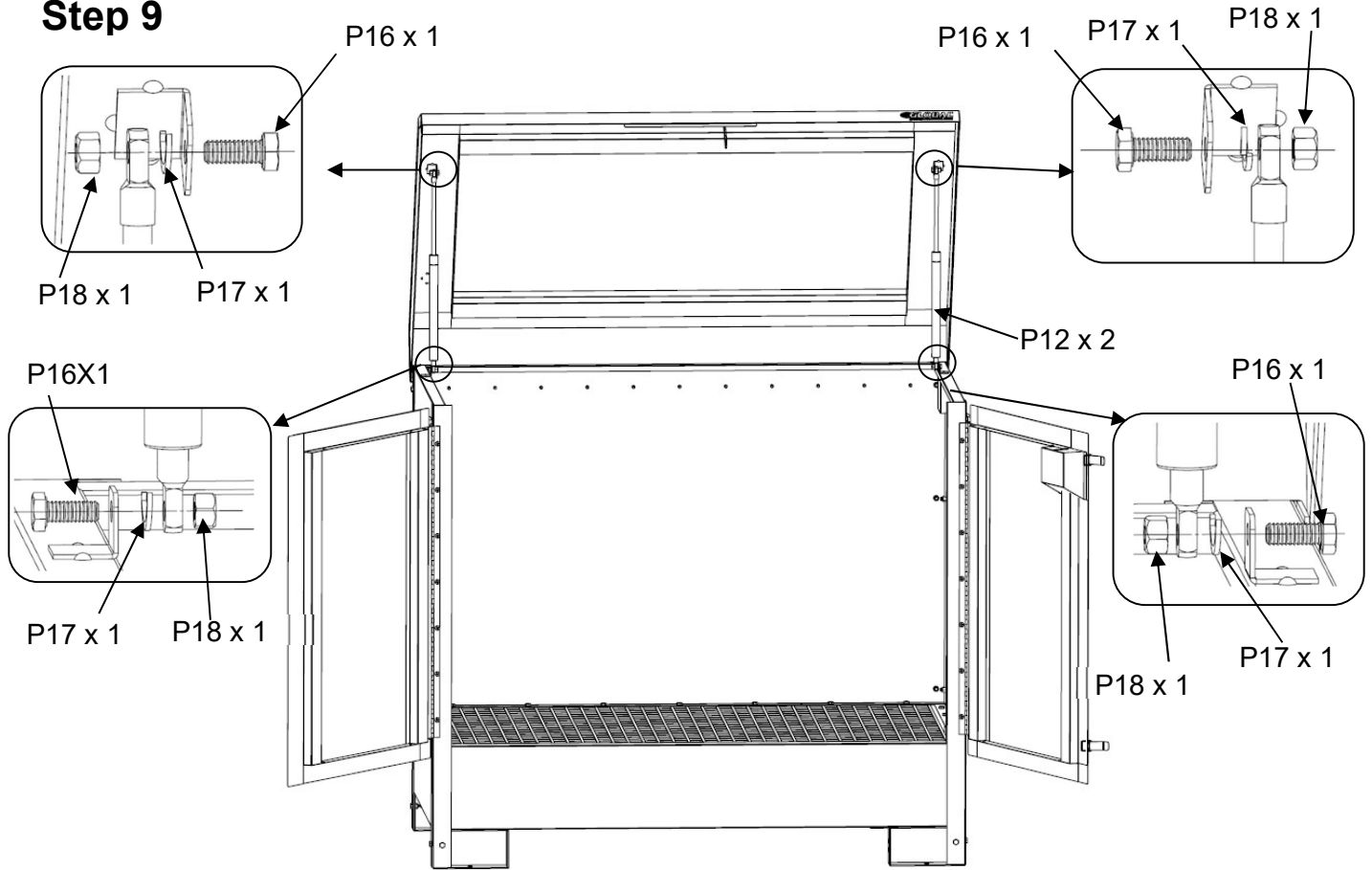
Note: If assembly 4 drum, Need P11+P23

Step 8

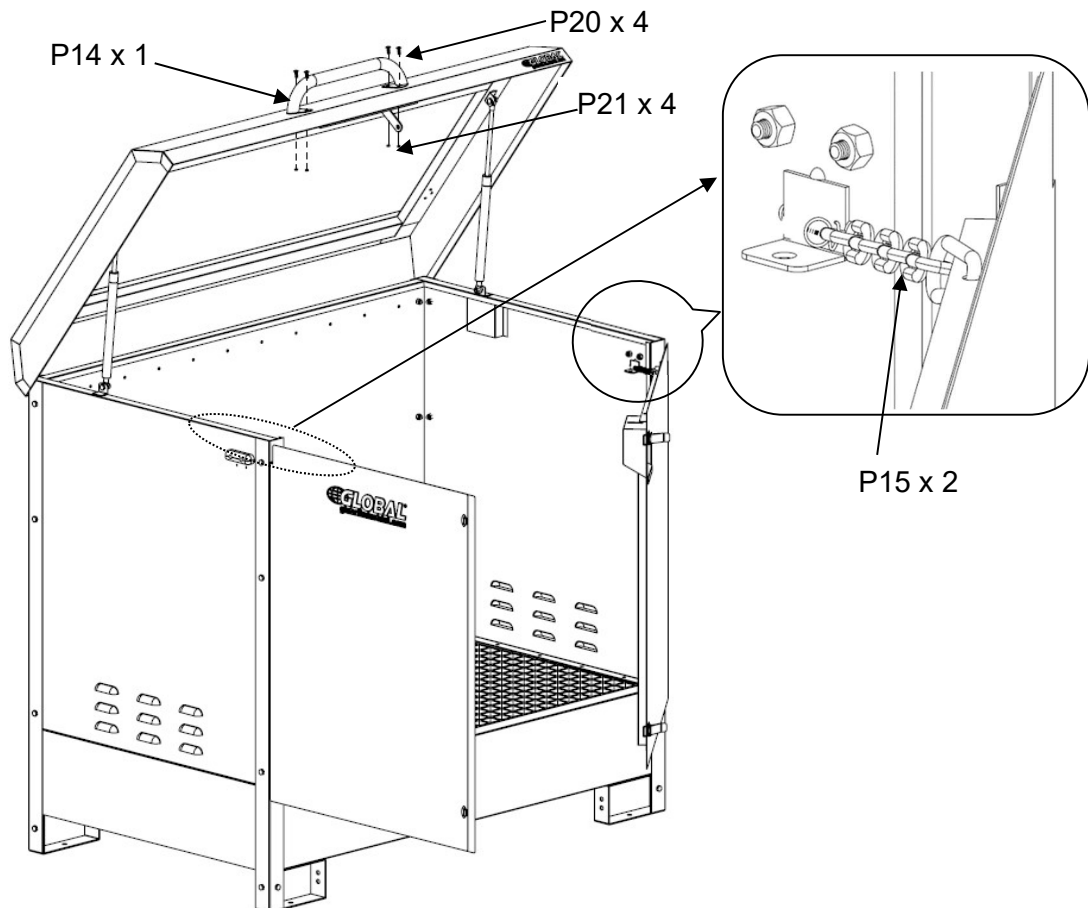


Outdoor Drum Cabinet 110 Gal. / 220 Gal. Capacity

Step 9

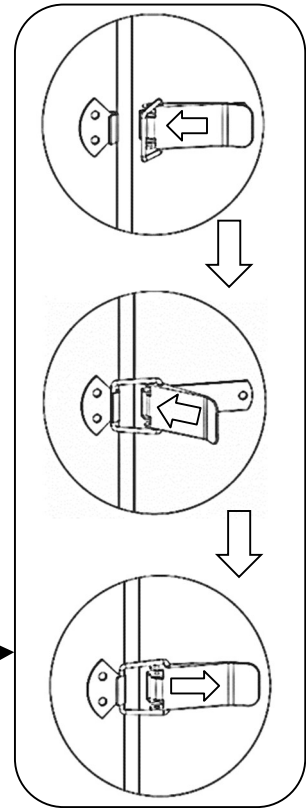
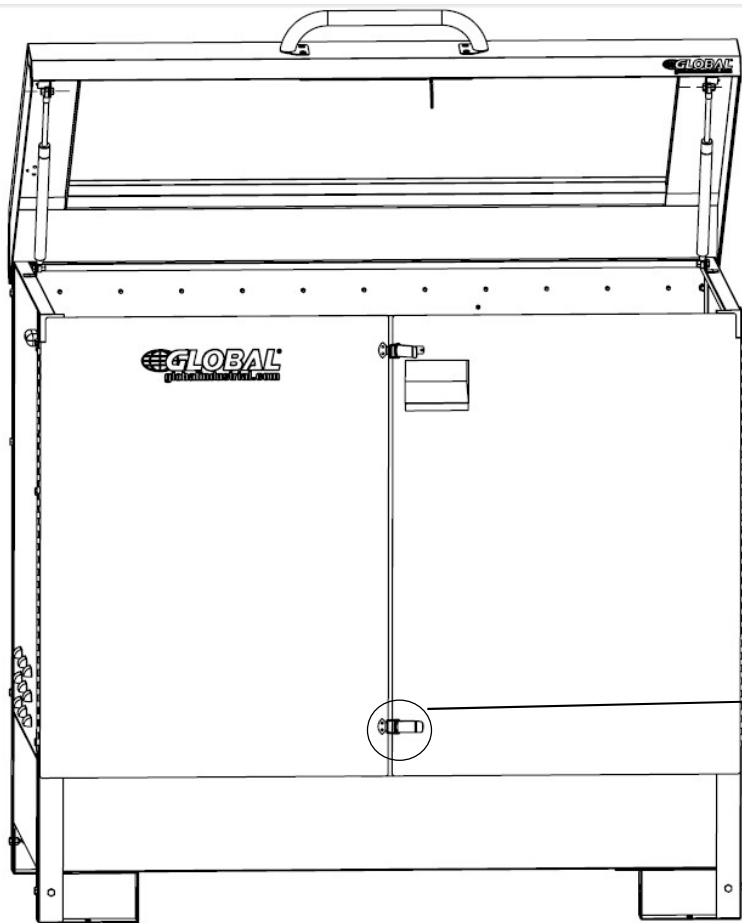


Step 10

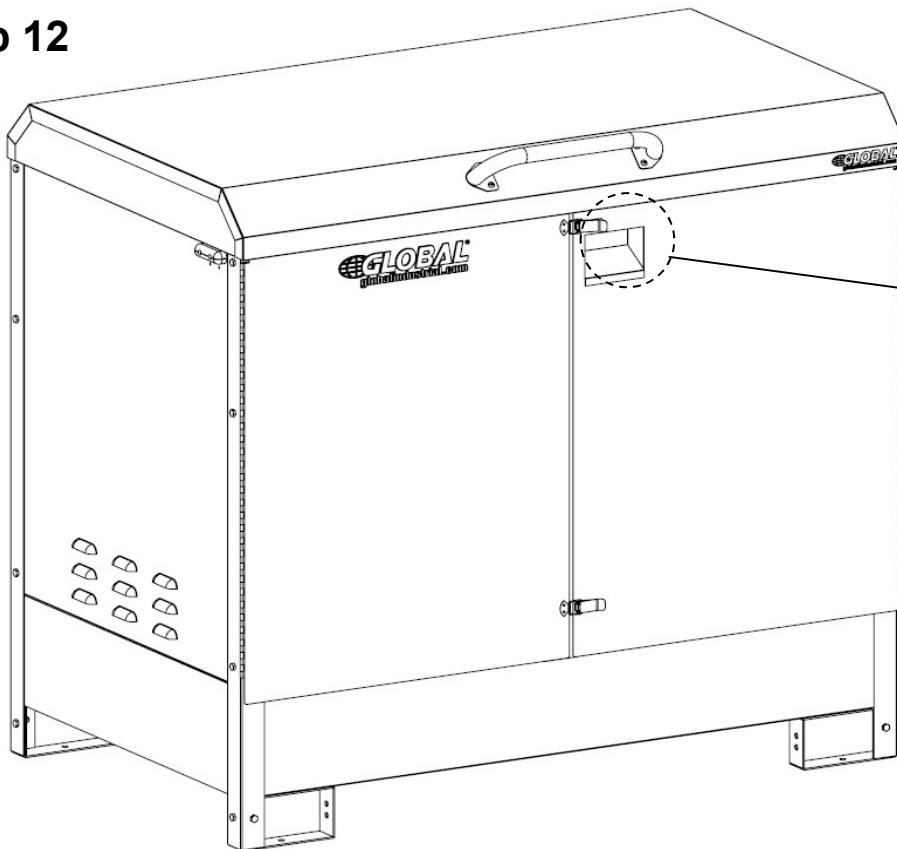


Outdoor Drum Cabinet 110 Gal. / 220 Gal. Capacity

Step 11



Step 12



A hasp for padlock hanging. (The lock is excluded.)