

4

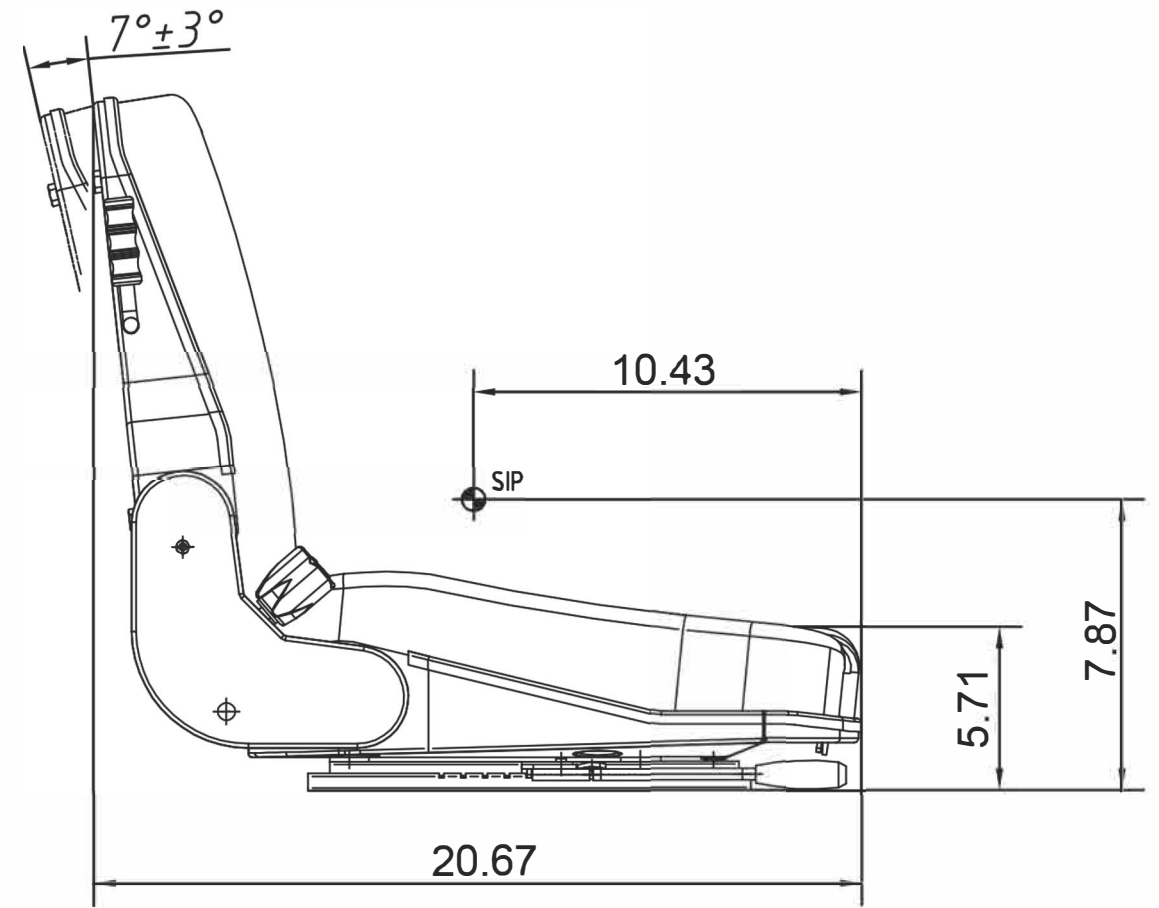
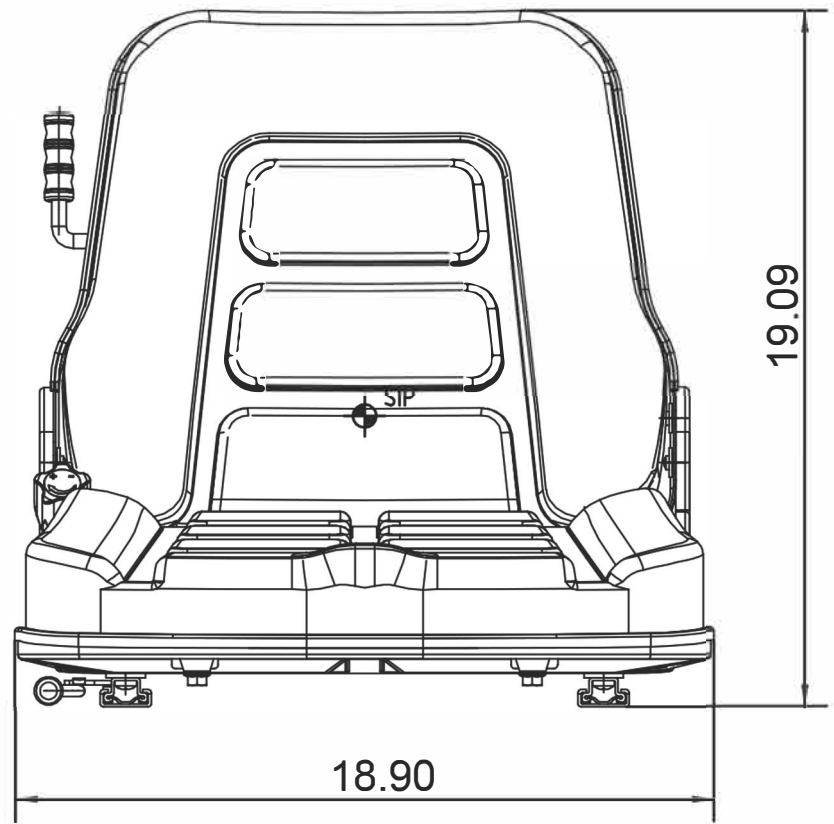
3

2

1

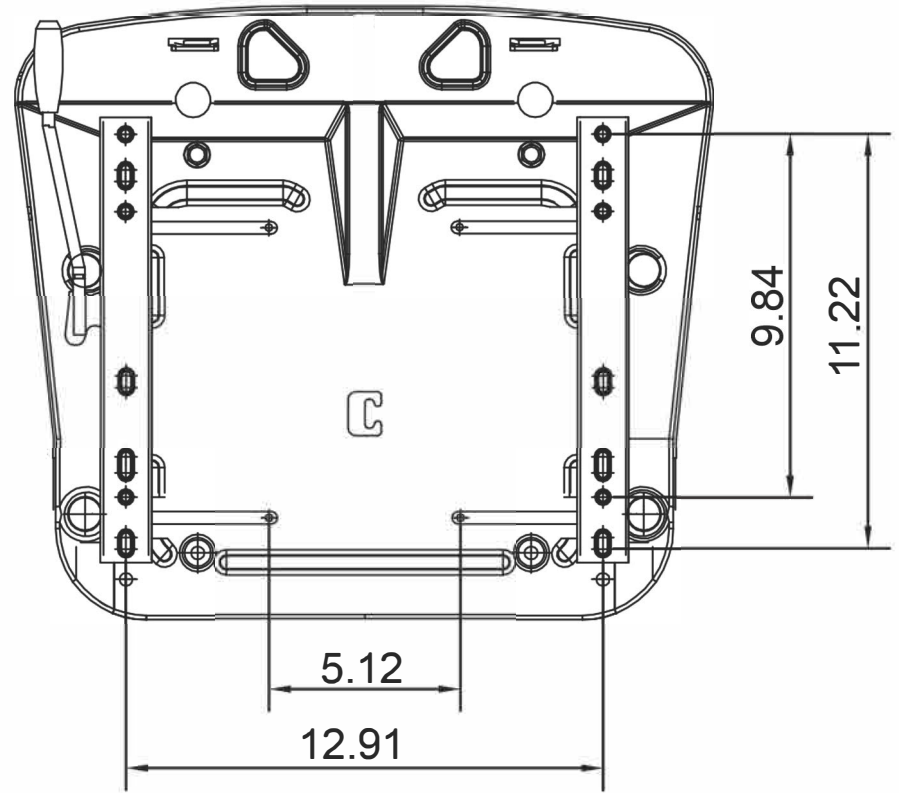
B

B




A

A



NOTE: This drawing and design are the property of Global Industrial Company and can not be used without the expressed, written consent of Global Industrial.

TOLERANCES (EXCEPT AS NOTED) DECIMAL .XX = ± 0.01 .XXX = ± 0.005 FRACTIONAL ± 1/64 ANGULAR ± 0.5° MATERIAL	 GLOBAL INDUSTRIAL 11 HARBOR PARK DRIVE PT. WASHINGTON NY 11050 (516)-625-1555		
	PROJECT NO.	PROJECT Forklift	
	PART NO. 293275	PART NAME Universal Forklift Seat	
	SCALE	DATE 4/12/2024	REV A

4

3

2

1