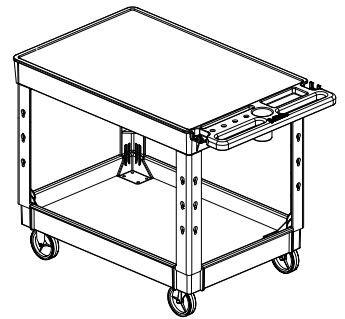
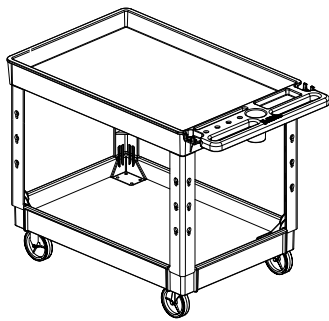


## PLASTIC SERVICE CART


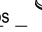
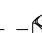


### Assembly Instruction

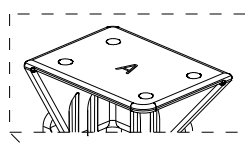


Model 800297 (44"W x 26"D Tray Cart)

Model 800298 (44"W x 26"D Flat Cart)

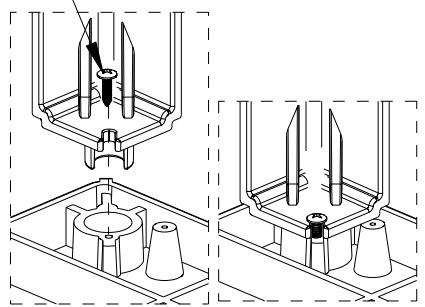
### CONTENTS

REF.	QTY.	DESCRIPTION	REF.	QTY.	DESCRIPTION
1	1	Top	H1	4	#8 x 1" Lg. Phillips Pan Head Screw 
2	2	Leg (A)	H2	16	M8 x 20mm Lg. Phillips Pan Head Screw 
3	2	Leg (B)	H3	16	M8 x 1.25 Hex Nylon Lock Nut 
4	1	Bottom	H4	2	Rigid Caster 
			H5	2	Swivel Caster 

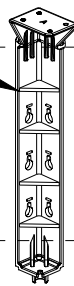


H1

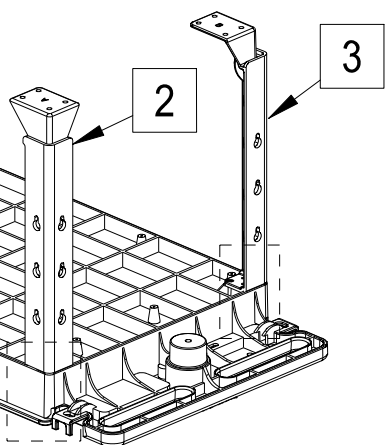
1



2

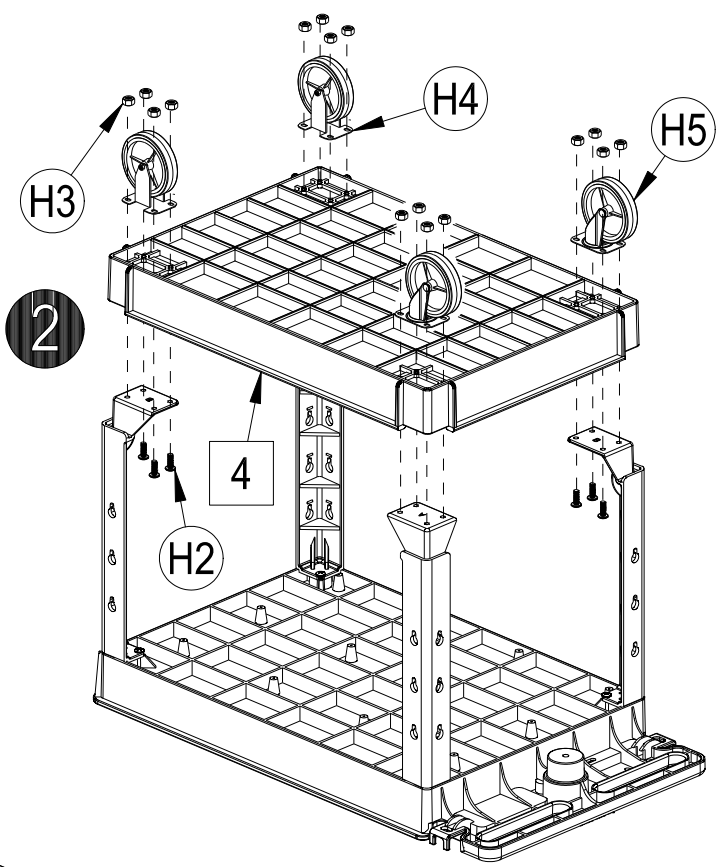


3

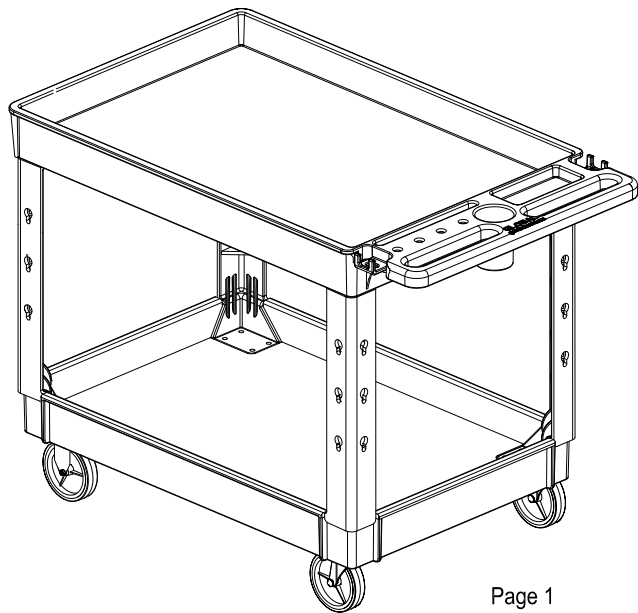


1

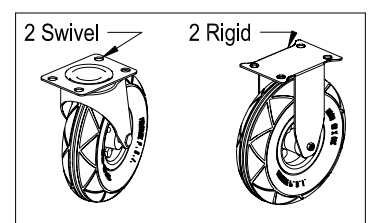
2



3



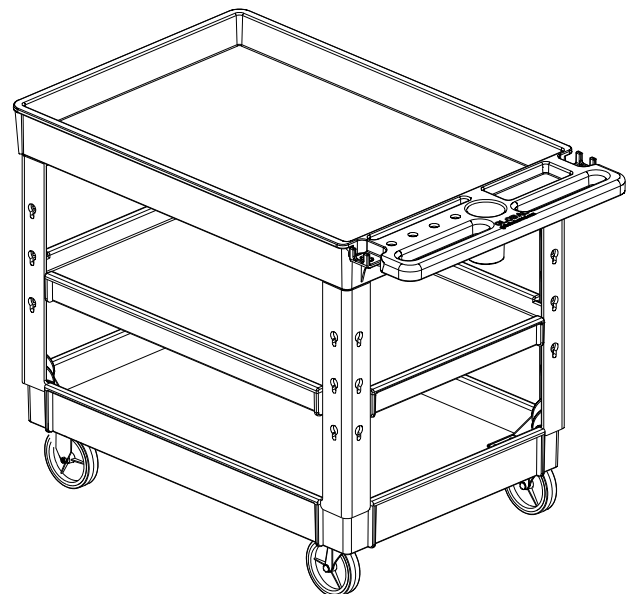
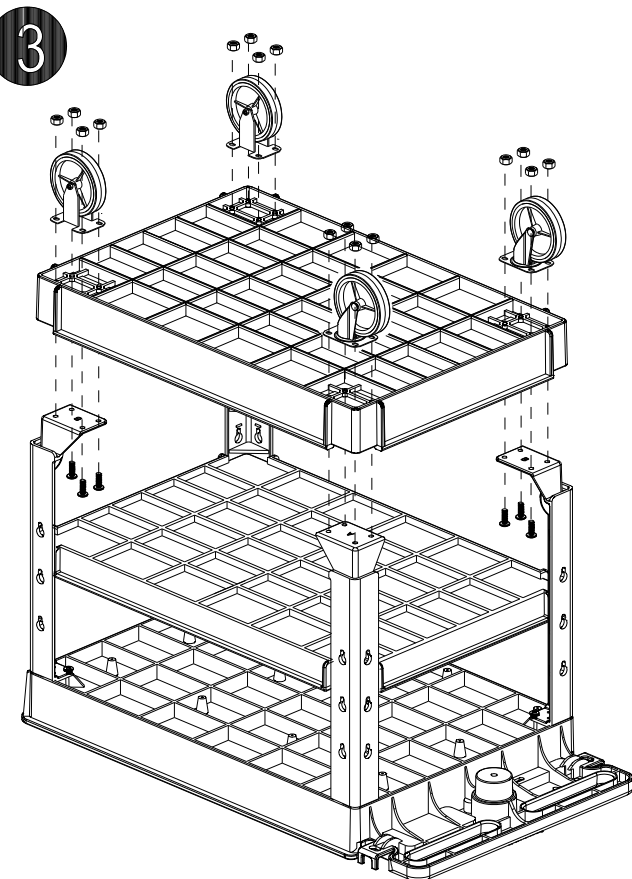
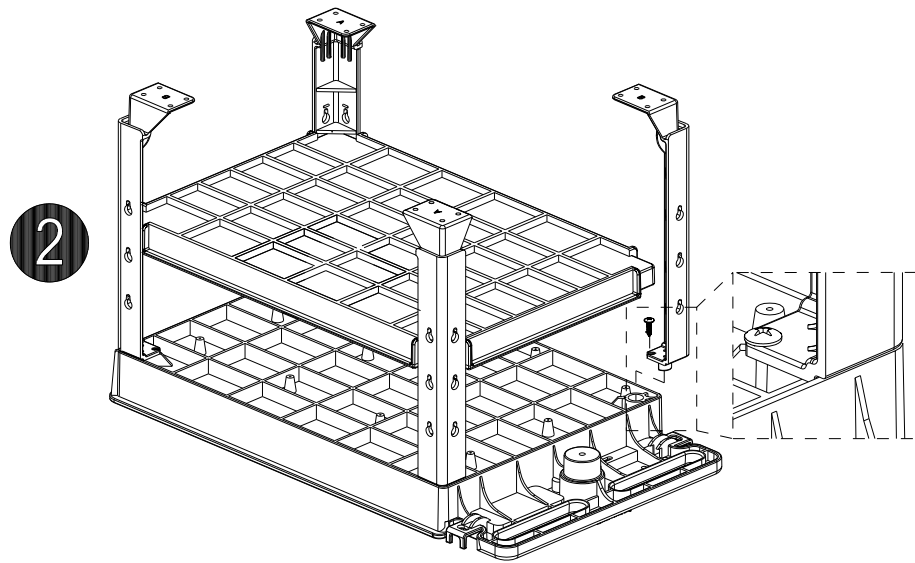
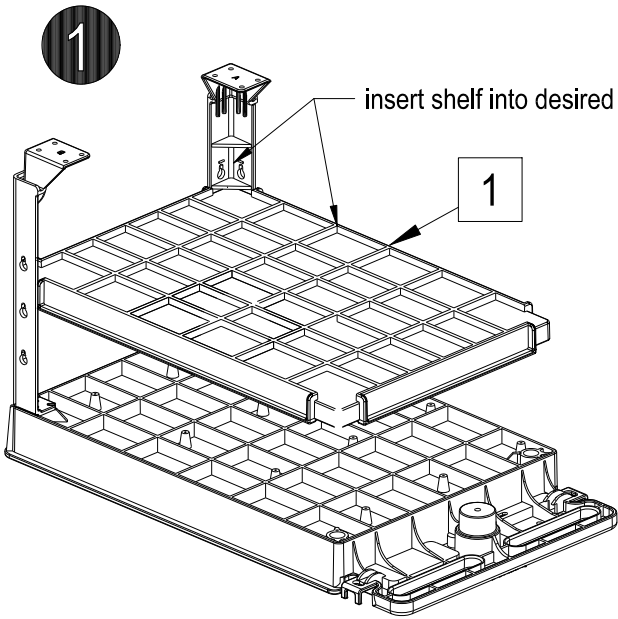
Optional 8" Pneumatic Caster Kit  
Model 498527



# TRAY SHELF

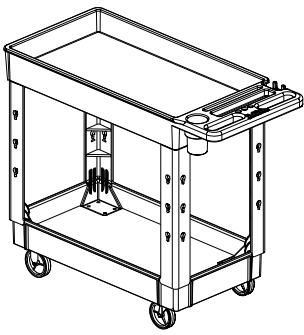
Model 800304  
Assembly Instruction

CONTENTS		
REF.	QTY.	DESCRIPTION
1	1	Middle Shelf

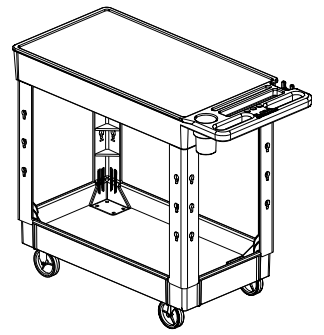


# PLASTIC SERVICE CART

## Assembly Instruction








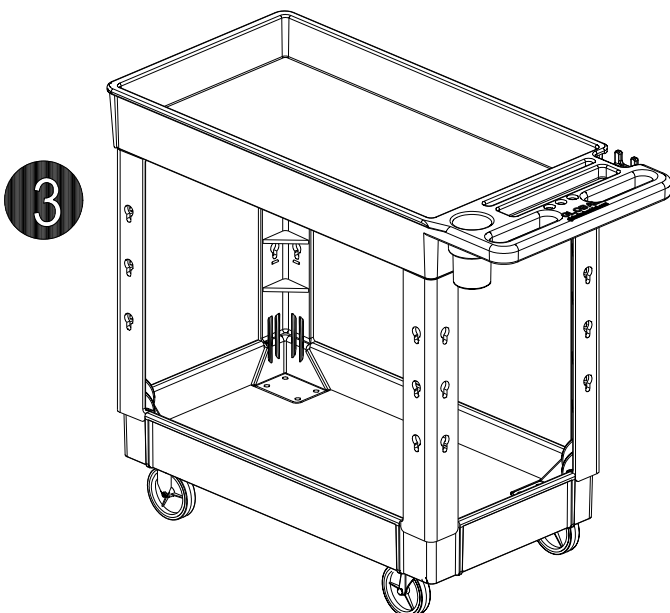
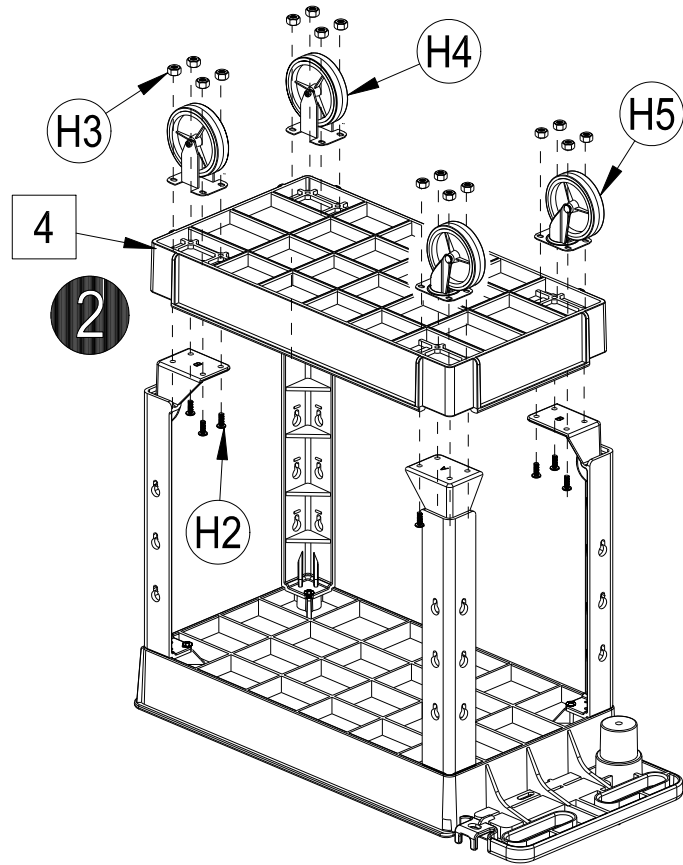
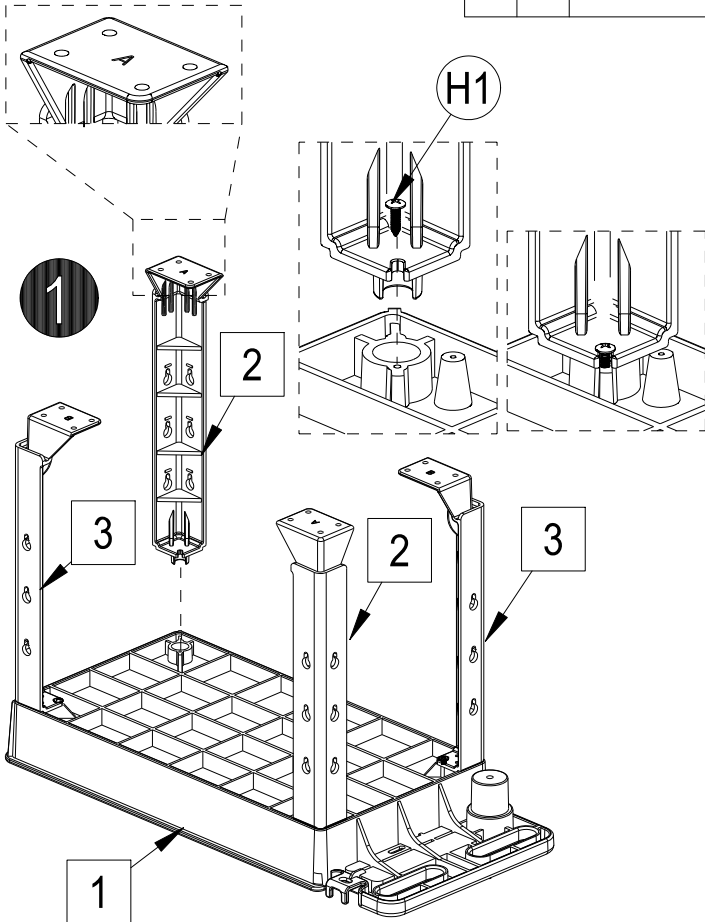
Model 800299 (38"W x 17"D Tray Cart)



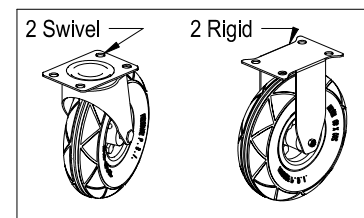
Model 800300 (38"W x 17"D Flat Cart)

### CONTENTS

REF.	QTY.	DESCRIPTION	REF.	QTY.	DESCRIPTION
1	1	Top	H1	4	#8 x 1" Lg. Phillips Pan Head Screw 
2	2	Leg (A)	H2	16	M8 x 20mm Lg. Phillips Pan Head Screw 
3	2	Leg (B)	H3	16	M8 x 1.25 Hex Nylon Lock Nut 
4	1	Bottom	H4	2	Rigid Caster 
			H5	2	Swivel Caster 



Optional 8" Pneumatic Caster Kit  
Model 498527

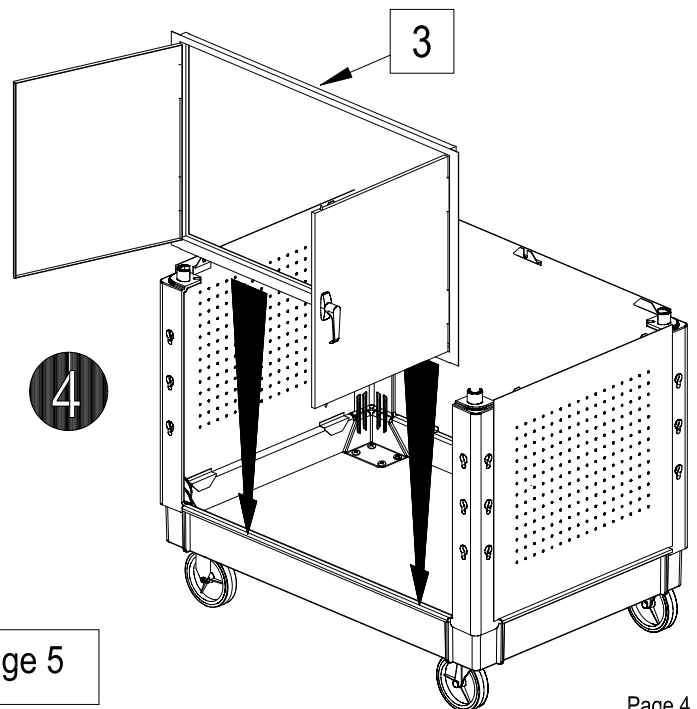
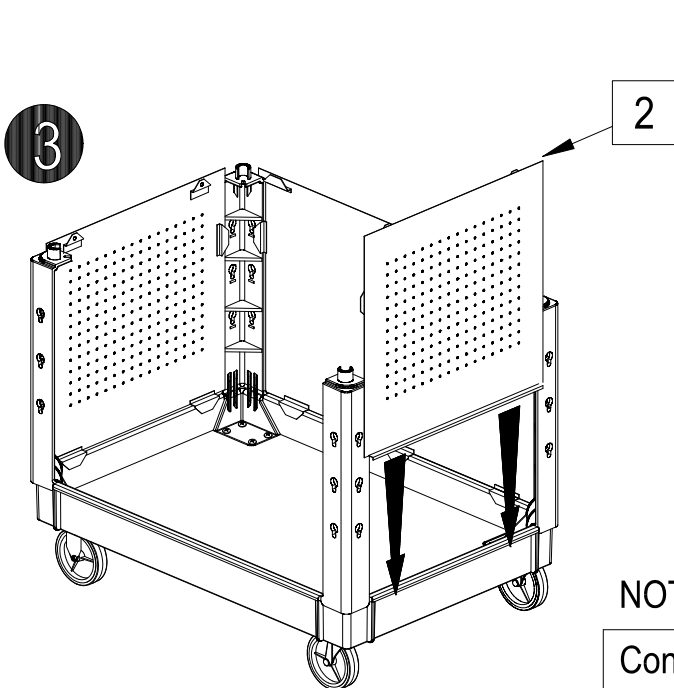
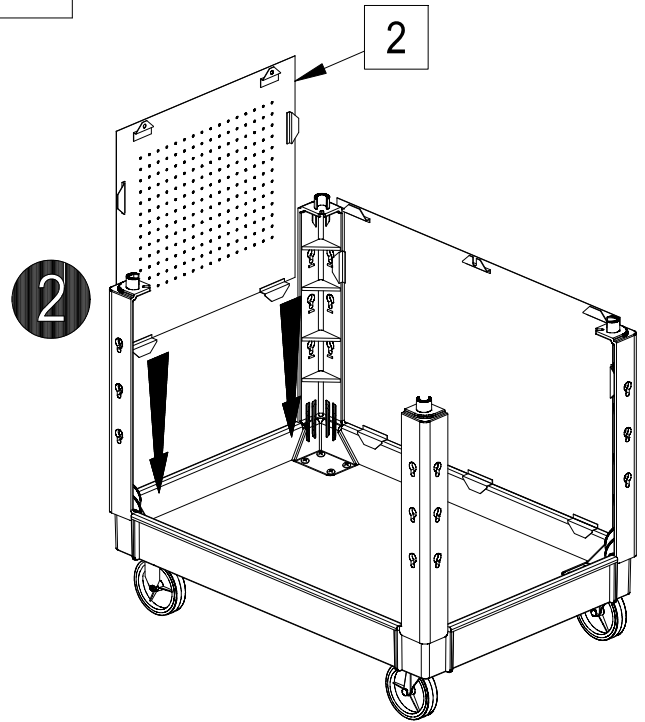
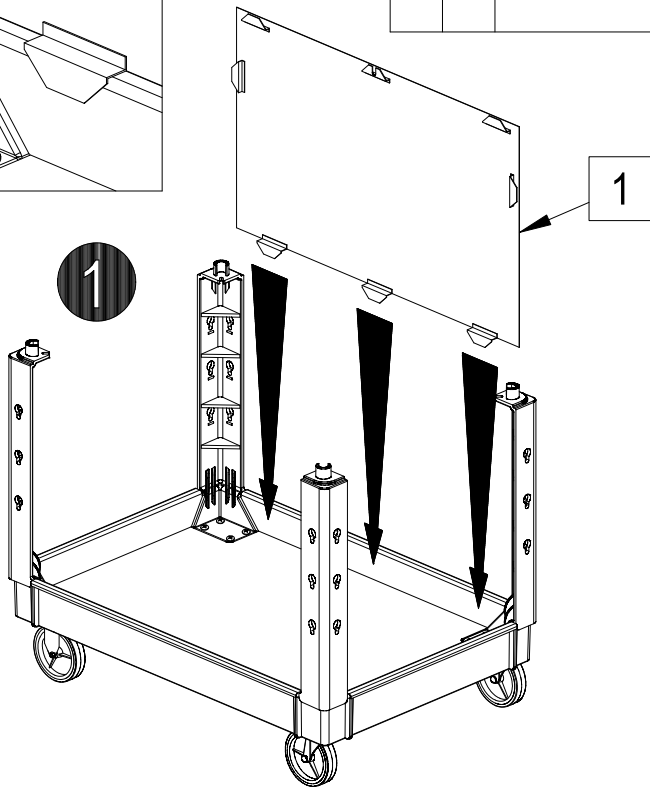
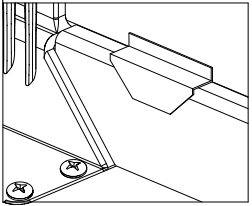


# STEEL ENCLOSURE DOOR / PANEL KIT

Model 800CP271

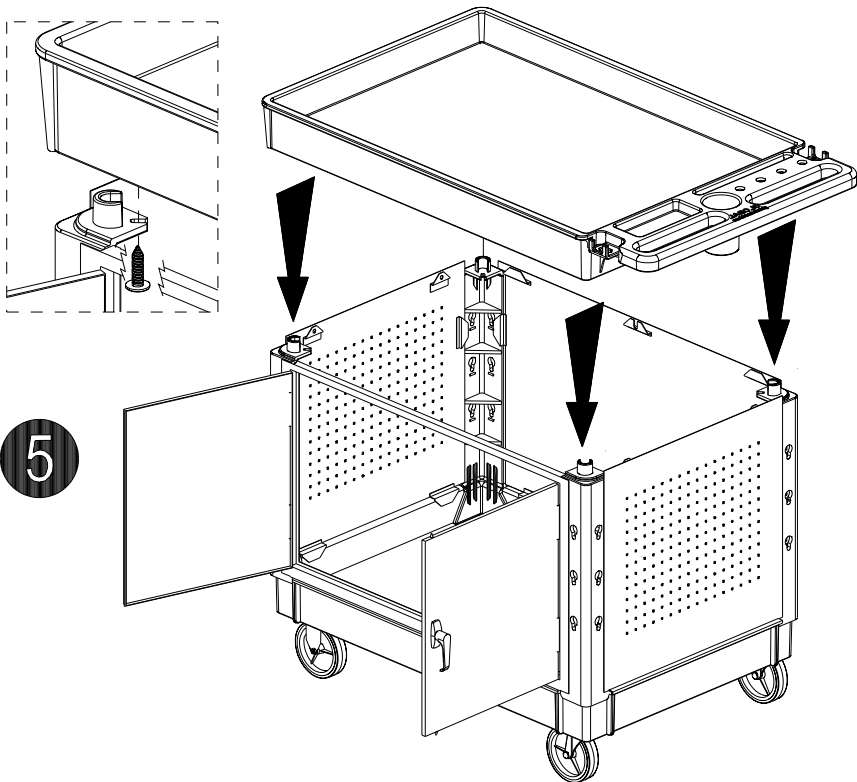
Assembly Instruction

CONTENTS		
REF.	QTY.	DESCRIPTION
1	1	Back Panel
2	2	Side Panel
3	1	Door Assembly

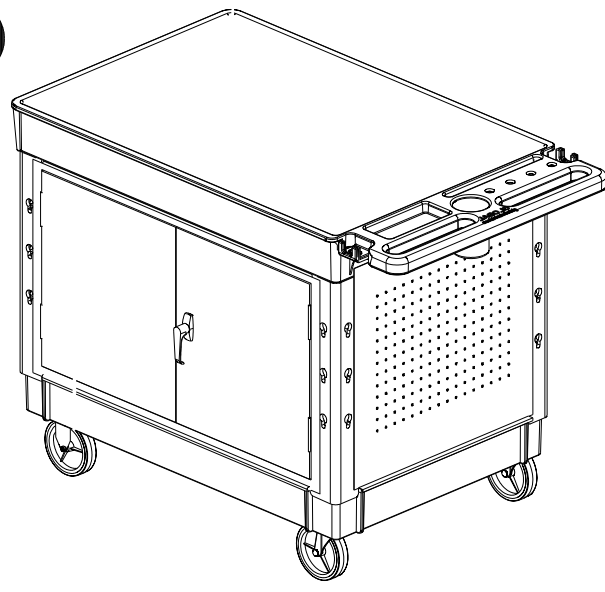


NOTE:

Continued on page 5

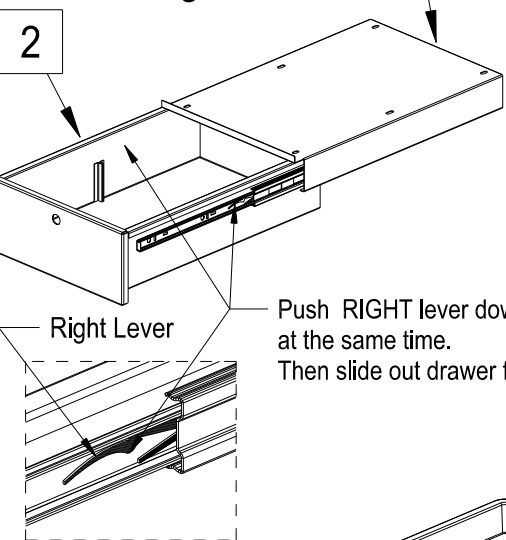


6



5


1  
To remove drawer  
from casing

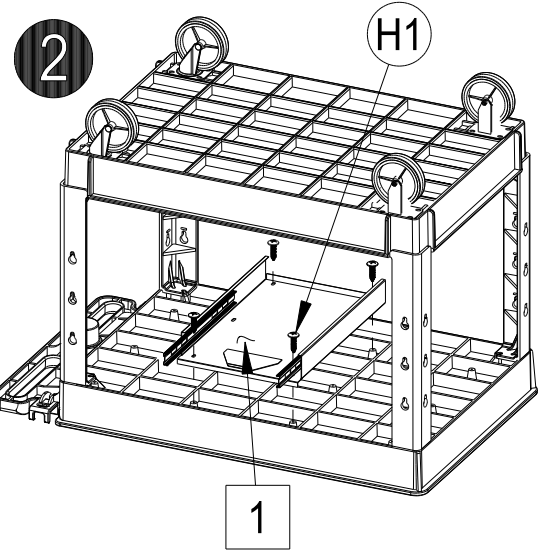


Push RIGHT lever down and pull LEFT lever up at the same time. Then slide out drawer from casing.

## STEEL DRAWER

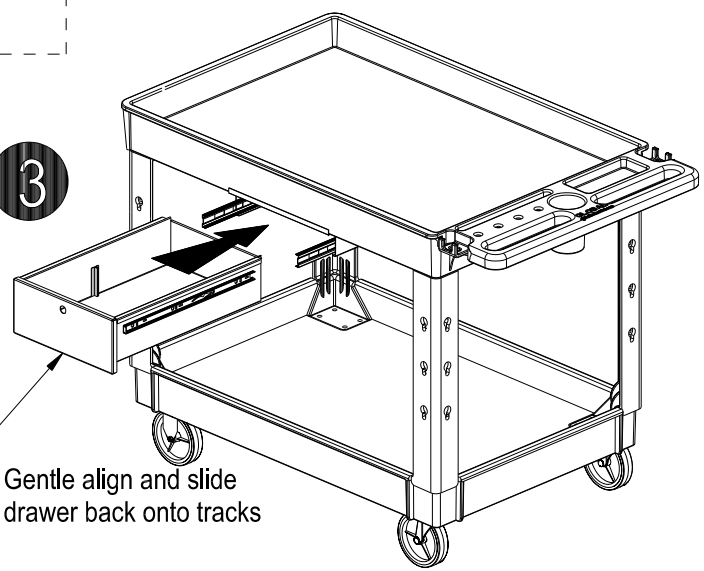
Model 606797GY  
Assembly Instruction

CONTENTS		
REF.	QTY.	DESCRIPTION
1	1	Casing
2	1	Drawer
H1	4	#6 x .625 Lg. Phillips Pan Head Screw 

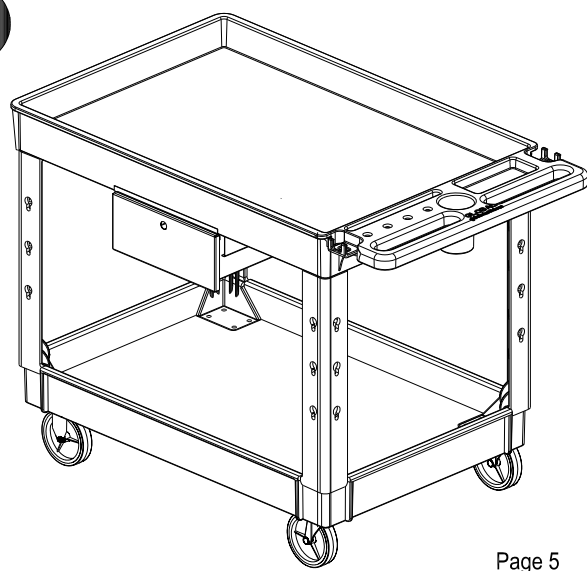


4

3




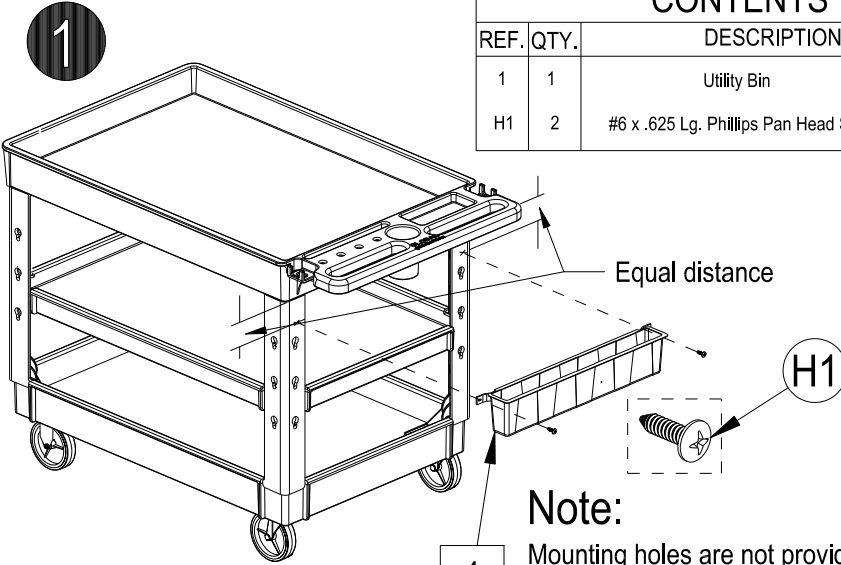
Gentle align and slide drawer back onto tracks



# UTILITY BIN

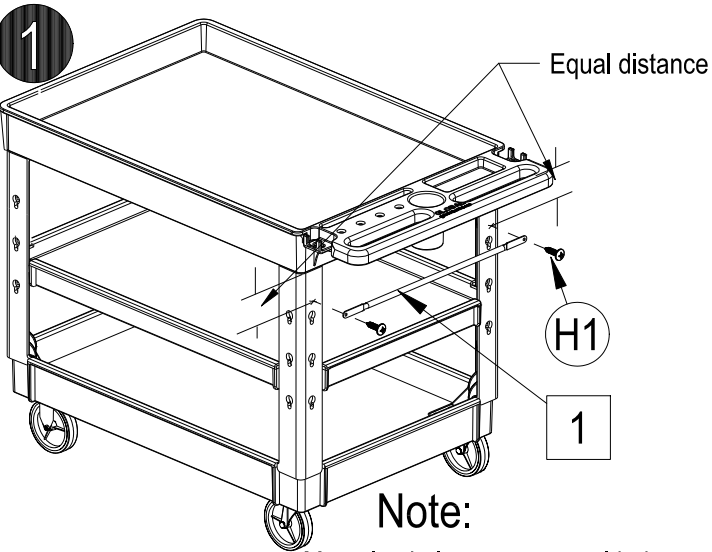
Model 241581  
Assembly Instruction

CONTENTS		
REF.	QTY.	DESCRIPTION
1	1	Utility Bin
H1	2	#6 x .625 Lg. Phillips Pan Head Screw 



**Note:**

1 Mounting holes are not provided, make sure to align bin to cart with equal distance before attaching bin




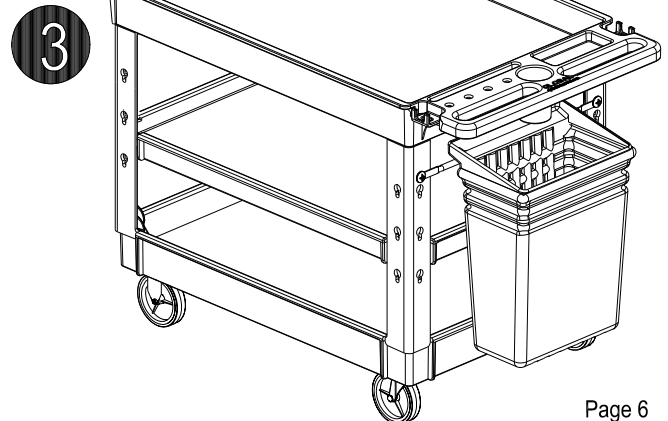
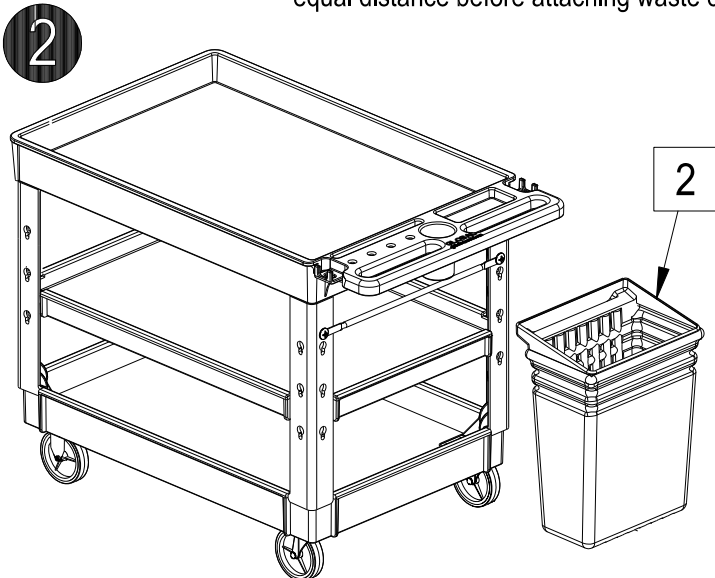
**Note:**

1 Mounting holes are not provided, make sure to align rod to cart with equal distance before attaching waste container

# WASTE CONTAINER

Model 241678  
Assembly Instruction

CONTENTS		
REF.	QTY.	DESCRIPTION
1	1	Rod
2	1	Waste Container
H1	2	#6 x .625 Lg. Phillips Pan Head Screw 



# LARGE SQUARE HOOK / SMALL SQUARE HOOK

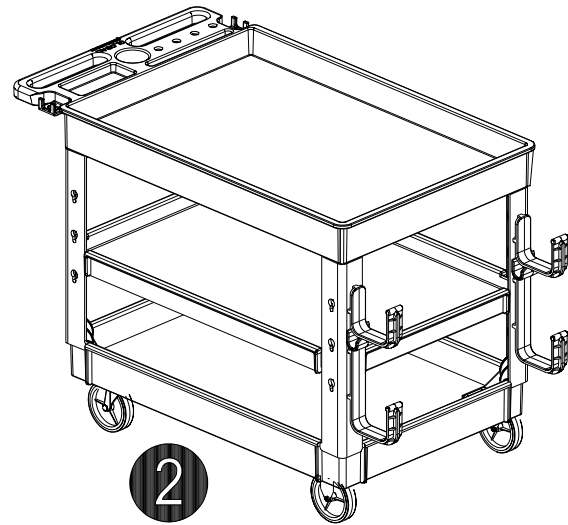
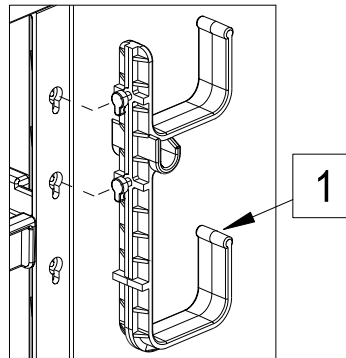
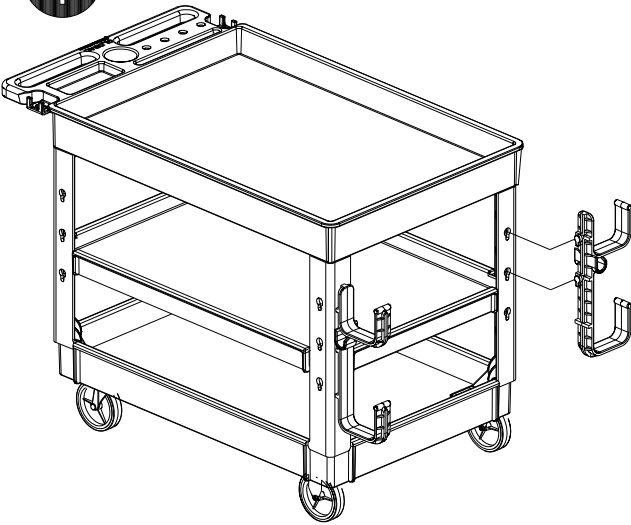
1

Model 800302 / 800301

Assembly Instruction

## CONTENTS

REF.	QTY.	DESCRIPTION
1	2	Hook



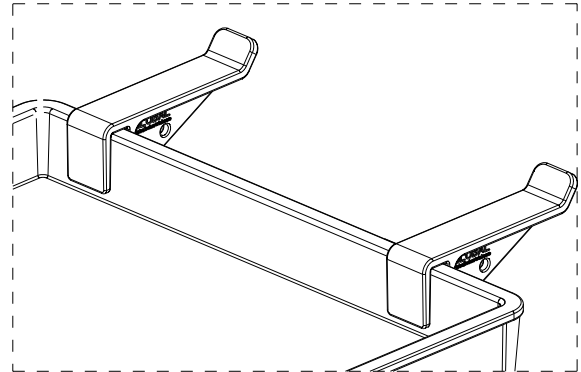
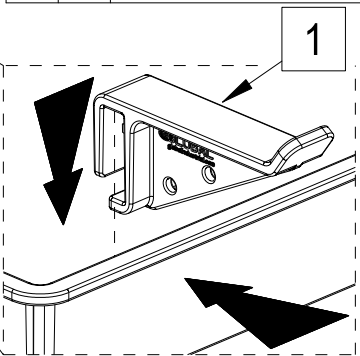
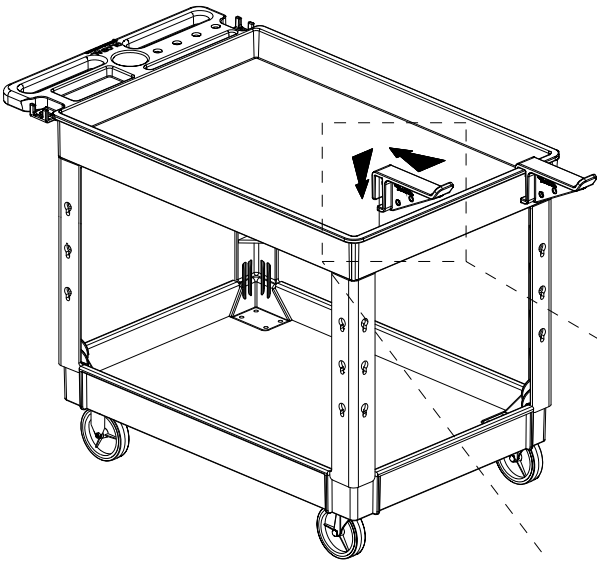
# LADDER HOOK

Model 800303

Assembly Instruction

## CONTENTS

REF.	QTY.	DESCRIPTION
1	2	Hook




# OUTLET POWER STRIP

Model 241566

Assembly Instruction

## CONTENTS

REF.	QTY.	DESCRIPTION
1	1	Power Strip
H1	2	#10 x 1" Lg. Flange Socket Head Screw 

Use teplate provided with outlet strip mark and drill (2) 5/16 through holes

