

Assembly Instructions

 Customer Service
 US: 1-800-645-2986

Instrucciones de Ensamblaje

 Servicio de atención al Cliente
 US: 1-800-645-2986

Directives d'assemblage

 Service à la clientèle
 Canada: 888-645-2986

Emergency Eyewash, Wall Mounted Model no. 708381

The Global Industrial Eye Wash Station is essential for industrial spaces where accidents can occur with chemicals or hazardous substances. These units provide immediate, reliable and effective treatment as needed. High quality and durable components ensure these stations comply and meet ANSI Standard Z358.1.

PRODUCT INFO

Pipe & Fittings - Schedule 40 galvanized steel includes safety yellow polyethylene covers for corrosion resistance and easy visibility.

Spray Head – Includes “flip top” covers to protect from dust particles.

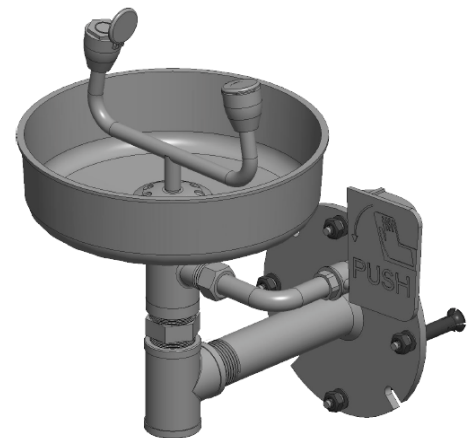
Eye Wash Bowl – 11.5” ABS Plastic.

Supply & Waste – Inlet and Outlet Tee allow inflow for water supply and separate outflow for waste disposal.

Quality Assurance – Valves and Spray heads are tested at factory to assure efficiency.

Please read this manual completely and save these instructions for reference. Upon receiving, inspect the unit for any damage. If damage is evident, notify the carrier immediately to file a claim. These products must be handled with caution.

Table of Contents	Page
General Information	2
Parts List	3
Product Dimensions	4
Assembly instructions	5
Warranty Info	7



GENERAL INFORMATION & GUIDELINES

Emergency eye wash stations are designed to deliver water to rinse chemical substances from a person's eyes, face or body.

WARNING: Eye wash stations are NOT to be used as substitutes for primary protective equipment (such as gloves, masks, eye protection, and protective clothing) when handling dangerous substances. Simply installing these stations is not sufficient to assure worker safety. Staff must be trained in the use, maintenance, and knowledge of the eye wash station. A response plan and action should be in place in the event that an accident does occur and employees have guidelines to follow for injured personnel.

Below are guidelines that should be followed in accordance with the eye wash station when applicable. Note OSHA regulations, accessibility & surroundings, and water connections before assembling and installing the eye wash combo station. There are certain circumstances where these guidelines may not be adequate.

LOCATION OF EMERGENCY EQUIPMENT

- Per ANSI Specifications, emergency equipment must be installed on the same level as the possible incident (e.g. stairs/ramps must not be required to use the unit).
- It is advised that emergency equipment be installed within 10 seconds (approx. 55 feet) of walking time/distance from the location of the possible incident.

WATER TEMPERATURE

- Water temperature should be between 60°F(15.5°C) – 100°F(37.8°C). This can vary depending on the chemical substance and should be consulted with a safety counselor.

SHUT OFF VALVES

- These stationary eye wash units are designed to be connected to a clean and viable water supply line.
- A shut off valve on the water line is advised to easily maintain/repair the station.
- If a shut off valve is installed, make sure necessary procedures are established to prevent misuse of the valve. Only authorized personal should be installing/maintaining the shut off valve.

CORROSION & RUST RESISTANCE

- All parts of the system must be constructed of materials that will not corrode.

FREEZING CONDITIONS

- Emergency equipment that must be installed in potential freezing conditions should be installed with the proper equipment to protect against freezing per ANSI Z358.1 Section 4.5.5, 5.4.5.
- Freeze resistant equipment includes but is not limited to:
 1. Temperature actuated bleed valve that permits water to flow through the unit when the temperature drops below freezing.
 2. Remote-activated valves or electrically heated units/heated enclosures.

DISPOSAL OF WATER

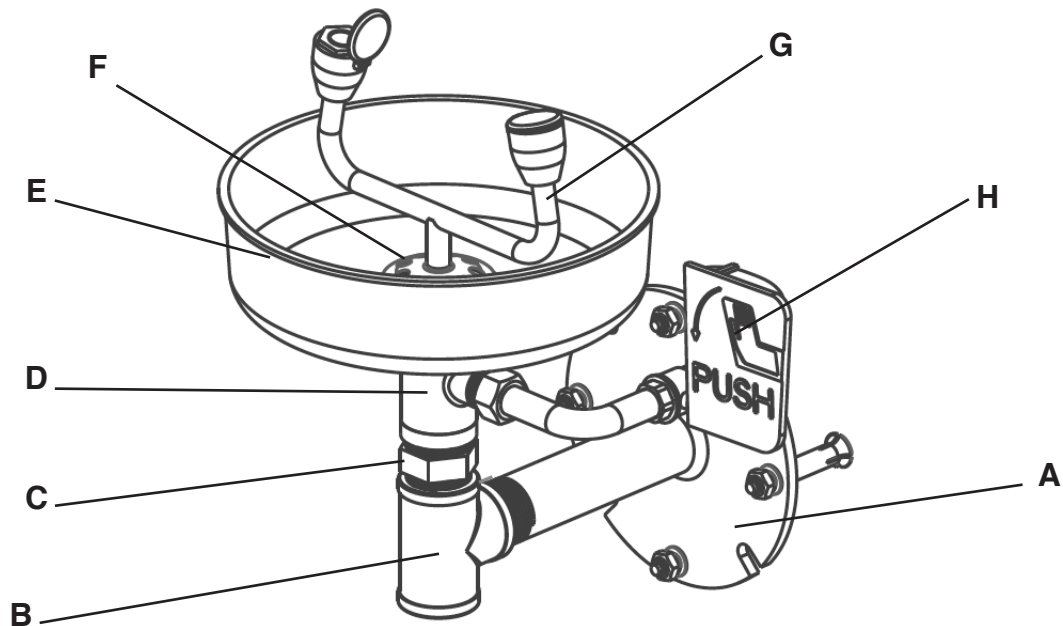
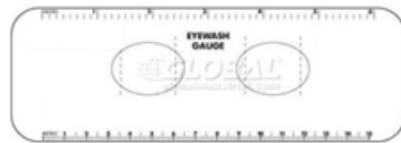
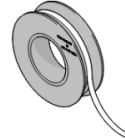
- Waste water must be treated with care to avoid creating any hazards. It is highly recommended that emergency shower stations should be connected to drain piping or flood drains. Depending on the chemical substances, drainage into an acid waste disposal system may be recommended.

MODEL NO. 708381 PARTS LIST

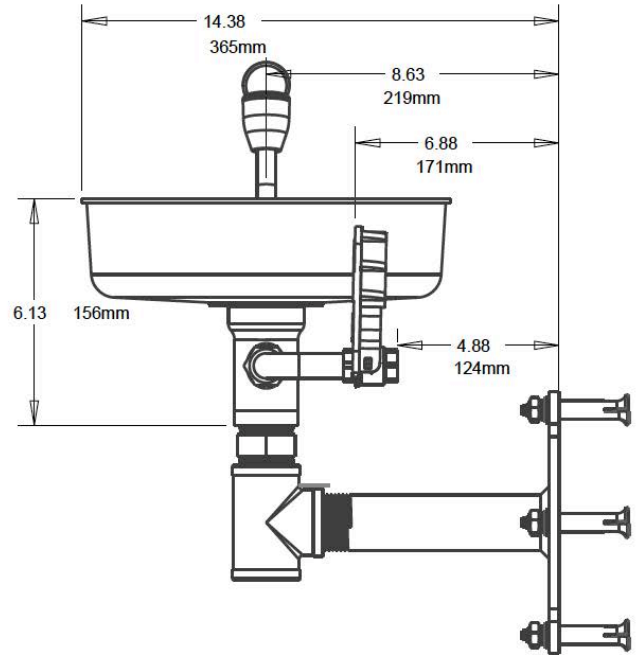
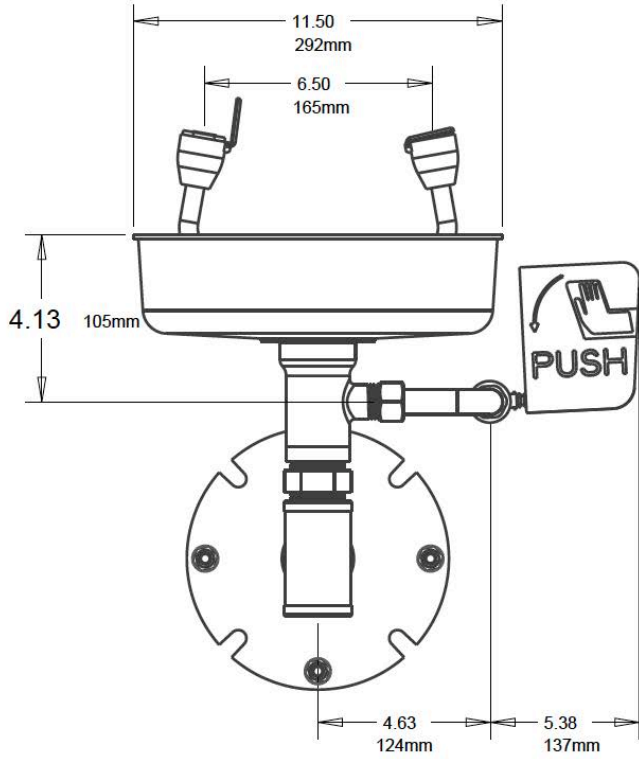
WARNING: Use Caution when tightening connections with a pipe wrench to avoid damaging/scratching protective coating.

PARTS LIST		
Item	Description	QTY
A	Base with 1-1/4" Tube	1
B	1-1/4" NPT Outlet Tee	1
C	1-1/4" Joiner	1
D	Valve Assembly	1
E	Eye Wash Container Bowl	1
F	Drain Filter	1
G	Spray Head Assembly	1
H	Push Handle	1
H1	5/16-18 Hex Nut (Not shown)	4
H2	Lock Washer (Not shown)	4
H3	Plain Washer (Not shown)	4
H4	Sleeve (Not shown)	4
H5	Threaded Post (not shown)	4

NOTE: The Eye Wash Gauge and Plumber's Tape is included



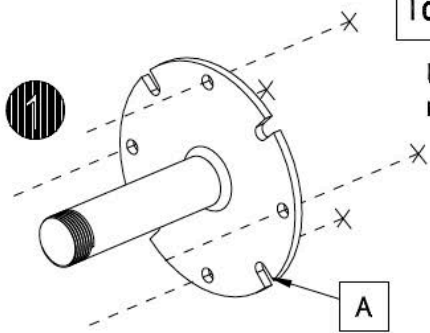
PRODUCT DIMENSIONS



ASSEMBLY INSTRUCTIONS

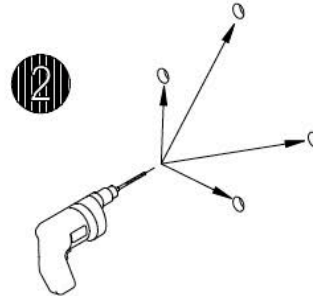
To be installed in concrete

Using the base as a template, mark the (4) holes

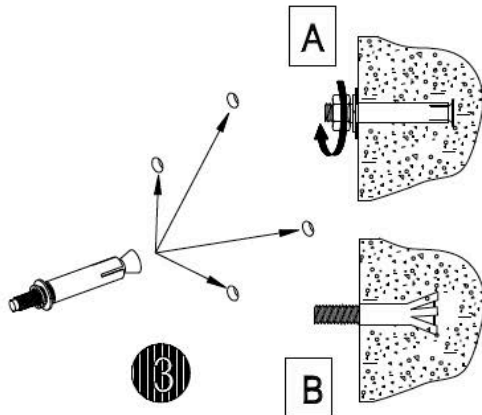


▲ WARNING ▲

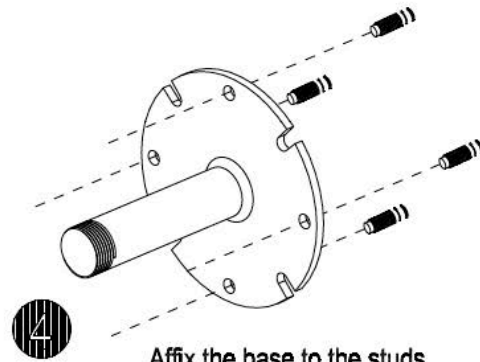
Before drilling check for electrical wire, rebar or other hidden obstruction in floor.



Drill the (4) holes 2" deep using 1/2" diameter concrete drill bit (Provided)



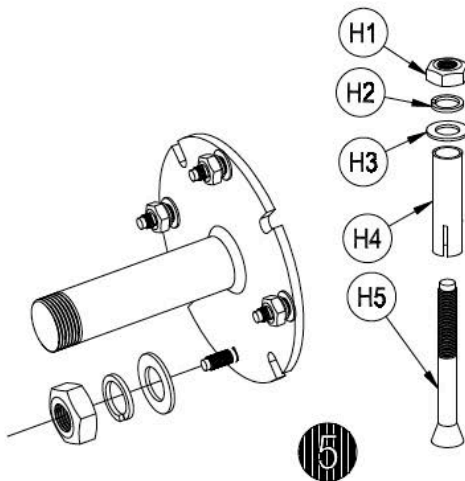
Insert the (4) expansion bolt into the holes
Hammer down until the sleeve is level with concrete

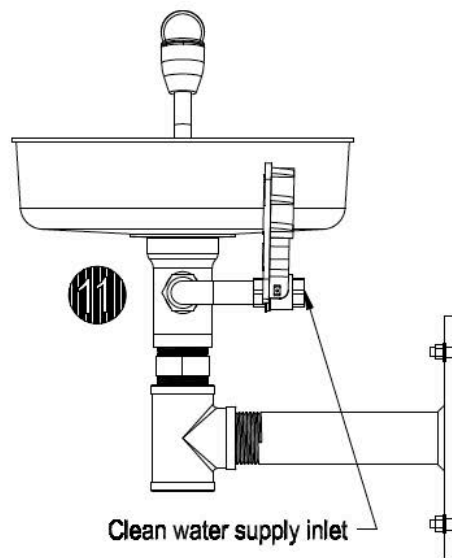
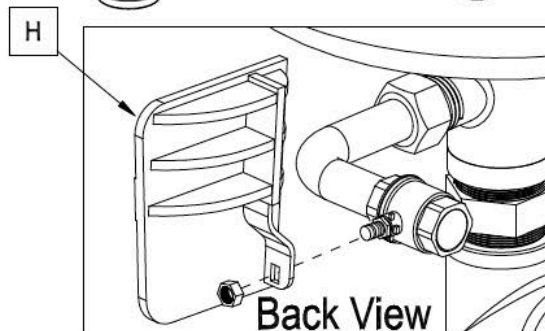
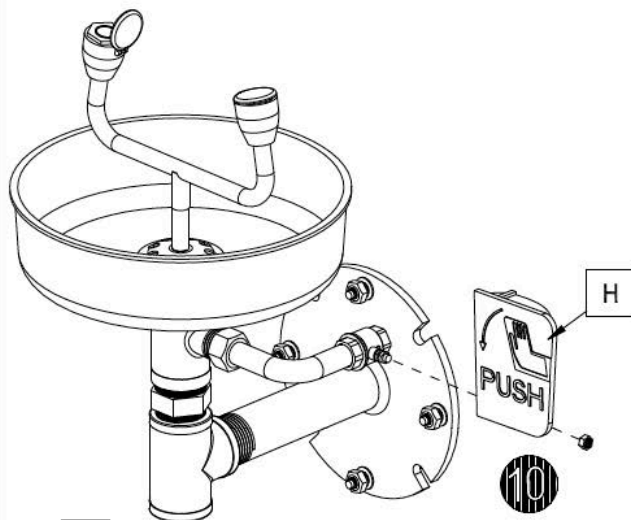
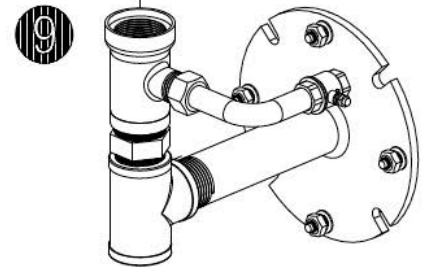
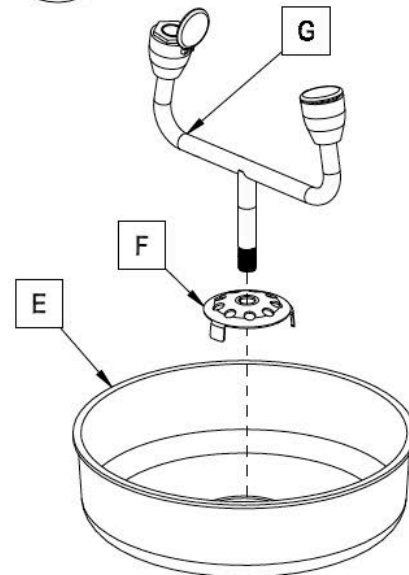
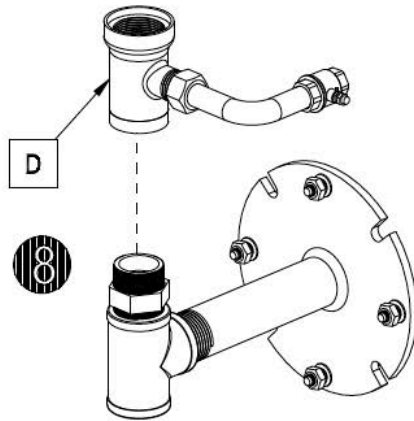
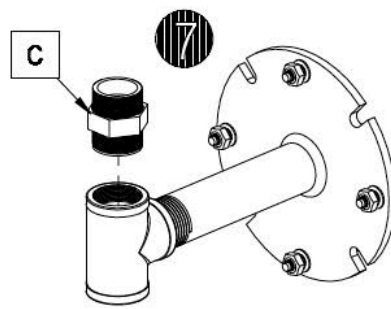
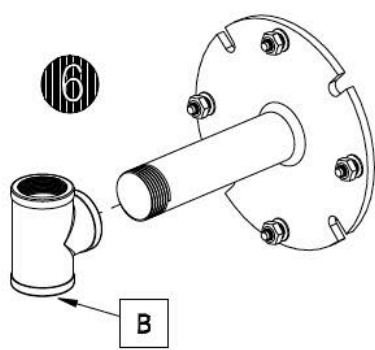


Affix the base to the studs

Note:

1. Before each connection, Apply plumber's tape to threaded areas (minimum two revolutions) Typical for all male threads.
2. Tighten ALL connections for proper alignment before moving on to the next step.
3. Use caution when tightening connections with pipe wrench to avoid causing damages / scratches on the protective coating







Over 1,000,000 products. Industrial strength service.
We can supply that.

REGISTER ONLINE AT

<http://www.globalindustrial.com/wr> or <http://www.globalindustrial.ca/wr>

Global Limited 1 Year Warranty

1. LIMITED WARRANTY

Global Equipment Company Inc. (DBA Global Industrial) ("Global") hereby warrants to you, the original purchaser and end user ("you" or "your"), that the products that you purchased which accompany this Limited Warranty ("Products") shall be free from defects in materials and workmanship under normal use consistent with the accompanying documentation for 1 year commencing upon the date of purchase (the "Warranty Period").

Global will repair or replace any Product determined to be defective and which has been returned, as set forth in section 3 herein, to Global. A Product may be replaced with a new or used product and/or current or prior revision. Where Global determines in its sole judgment that repair or replacement of such Product is not reasonable, Global will keep the non-conforming Product and refund to you the amount you paid for such Product. Returned Products shall be subject to the balance of the Warranty Period otherwise applicable. Any reconditioned parts used by Global shall be subject to all the same provisions as otherwise applicable to new parts.

THE FOREGOING DESCRIBES THE SOLE LIABILITY OF GLOBAL, AND YOUR SOLE REMEDY, FOR ANY BREACH OF WARRANTY. IF YOU DO NOT AGREE WITH THE TERMS OF THIS LIMITED WARRANTY, YOU MUST RETURN THE PRODUCTS UNUSED AND IN THEIR ORIGINAL PACKAGING WITHIN THREE (3) DAYS AND YOUR PURCHASE PRICE WILL BE REFUNDED.

2. WARRANTY EXCLUSIONS AND LIMITATION OF LIABILITY

This Limited Warranty does not cover: (i) defects or damages resulting from acts of God, casualty, accident, misuse or abuse, overloading, exceeding the recommended weight capacity, neglect, alterations, modification, service or repair by other than Global or its independent third party service providers, including without limitation by you; (ii) improper assembly or installation or de-installation, operation or maintenance, improper connections with peripherals or other causes not arising out of defects in the materials or workmanship of Products; (iii) any Product for which the warranty sticker has been removed, modified or defaced; (iv) shipping containers, batteries, cabinets, media, software or accessories; (v) normal wear and tear; (vi) damage to or loss of repaired or replaced Products during shipping by Global except when such damage or loss is caused by poor or inadequate packaging by Global; or (vii) Products purchased outside the United States or Canada.

UNDER NO CIRCUMSTANCES WILL GLOBAL BE LIABLE FOR ANY LOSS OF USE, INTERRUPTION OF BUSINESS OR ANY INDIRECT, SPECIAL, INCIDENTAL, PUNITIVE OR CONSEQUENTIAL DAMAGES OF ANY KIND (INCLUDING LOST PROFITS) REGARDLESS OF THE FORM OF ACTION WHETHER IN CONTRACT, TORT (INCLUDING NEGLIGENCE), STRICT PRODUCT LIABILITY OR OTHERWISE, EVEN IF GLOBAL HAS BEEN ADVISED OF THE POSSIBILITY OF SUCH DAMAGES. IN NO EVENT SHALL THE TOTAL LIABILITY OF GLOBAL HEREUNDER EXCEED THE GREATER OF \$50 OR THE AMOUNT YOU ACTUALLY PAID FOR THE PRODUCT GIVING RISE TO SUCH LIABILITY, REGARDLESS OF THE CAUSE OF ACTION, IN CONTRACT, TORT, STRICT LIABILITY OR OTHERWISE. NOT ALL JURISDICTIONS ALLOW SUCH LIMITATIONS OF DAMAGES SO THE FOREGOING LIMITATIONS MAY NOT APPLY TO YOU.

3. PROCEDURE FOR WARRANTY SERVICE

Prior to returning any Products to Global for warranty service, you must first contact Global, by telephone at (800) 645-2986 (US) or (888) 645-0878 (Canada) to confirm that such Products are covered by this Limited Warranty. If such Products are so covered, you shall obtain from Global a return materials authorization ("RMA") number and shipping instructions prior to any shipment of such Products to Global, and you must include such RMA number with any corresponding Product shipment, along with a true and correct copy of the original receipt showing the date of Product purchase by you, and a detailed, written description of any associated Product problems.

Please note that you are responsible for all shipping charges incurred in returning an item for exchange or repair. Global shall pay for return shipping of repaired and/or replaced Products to addresses within the United States and Canada only, and return shipments to all other addresses outside of the United States or Canada is your responsibility. If Global determines that any Product is not covered by this Limited Warranty, you must pay all parts, labor charges and return shipping for such Product.

4. WARRANTY DISCLAIMER AND LIMITATIONS

EXCEPT AND TO THE EXTENT EXPRESSLY SET FORTH ABOVE THERE ARE NO WARRANTIES, EXPRESS OR IMPLIED, INCLUDING BUT NOT LIMITED TO, ANY WARRANTIES OF MERCHANTABILITY OR FITNESS FOR A PARTICULAR PURPOSE AND GLOBAL EXPRESSLY DISCLAIMS ALL WARRANTIES NOT STATED HEREIN.

EXCEPT AND TO THE EXTENT EXPRESSLY SET FORTH ABOVE, THE PRODUCTS ARE PROVIDED ON AN "AS IS" BASIS, AND GLOBAL MAKES NO ADDITIONAL WARRANTIES, EXPRESS, IMPLIED, ARISING FROM COURSE OF DEALING OR USAGE OF TRADE, OR STATUTORY, AS TO THE PRODUCTS OR ANY MATTER WHATSOEVER. THIS IS A LIMITED WARRANTY AND IS THE ONLY WARRANTY MADE BY GLOBAL. THE AGENTS, EMPLOYEES, DISTRIBUTORS, AND DEALERS OF GLOBAL ARE NOT AUTHORIZED TO MAKE MODIFICATIONS TO THIS LIMITED WARRANTY, OR MAKE ADDITIONAL WARRANTIES BINDING ON GLOBAL. ACCORDINGLY, ADDITIONAL STATEMENTS SUCH AS DEALER ADVERTISING OR PRESENTATION, WHETHER ORAL OR WRITTEN, DO NOT CONSTITUTE WARRANTIES BY GLOBAL AND SHOULD NOT BE RELIED UPON. GLOBAL DOES NOT WARRANT THAT THE PRODUCTS WILL OPERATE WITHOUT FAILURE, OR THAT THE PRODUCTS WILL MEET YOUR NEEDS OR EXPECTATIONS. NOT ALL JURISDICTIONS ALLOW SUCH WARRANTY LIMITATIONS SO THE FOREGOING LIMITATIONS MAY NOT APPLY TO YOU.

5. CHOICE OF LAW AND JURISDICTION

FOR PURCHASES WITHIN THE US - This Limited Warranty shall be subject solely to the laws of the State of New York as applied to contracts entered into in the State of New York between New York residents. Any dispute arising hereunder shall be subject to the sole jurisdiction of the State and Federal Courts located in Nassau County, New York. The parties hereby consent to the personal jurisdiction of such courts.

FOR PURCHASES WITHIN CANADA - This Limited Warranty shall be subject solely to the laws of the Province of Ontario. Any dispute arising hereunder shall be subject to the sole jurisdiction of Ontario, Canada. The parties hereby consent to the personal jurisdiction of such courts.

REGISTRARSE EN LÍNEA EN

<http://www.globalindustrial.com/wr> or <http://www.globalindustrial.ca/wr>

Garantía global limitada de 1 año

1. GARANTÍA LIMITADA

Global Equipment Company Inc. (DBA Global Industrial) ("Global") por la presente garantiza al comprador original y usuario final ("usted" o "su"), que los productos adquiridos por usted que incluyen esta Garantía limitada ("Productos") se considerarán libres de defectos respecto de sus materiales y mano de obra en condiciones normales de uso de conformidad con la documentación adjunta durante 1 año a partir de la fecha de compra (el "Plazo de duración de la garantía").

Global reparará o reemplazará todo producto calificado como defectuoso y que hubiere sido devuelto a Global, según lo establecido en la sección 3 de la presente garantía. Un Producto puede ser reemplazado por un producto nuevo o usado y/o quedar sujeto a una revisión actual o previa. En los casos que Global establezca, a su exclusivo criterio, la inviabilidad de la reparación o el reemplazo de dicho Producto, Global conservará el Producto no conforme y le reembolsará a usted el monto abonado por dicho Producto. De ser aplicable, los Productos devueltos estarán sujetos al tiempo restante del "Plazo de Duración de la Garantía. Todas las piezas reacondicionadas utilizadas por Global estarán también sujetas a dichas disposiciones mencionadas anteriormente, aplicables de igual modo a las piezas nuevas, si correspondiere

LA CLÁUSULA MENCIONADA ANTERIORMENTE DESCRIBE LA RESPONSABILIDAD EXCLUSIVA DE GLOBAL, Y SU ÚNICO RECURSO, POR CUALQUIER INCUMPLIMIENTO DE LA PRESENTE GARANTÍA. SI USTED NO ESTÁ DE ACUERDO CON LOS TÉRMINOS Y CONDICIONES DE LA PRESENTE GARANTÍA LIMITADA, USTED DEBERÁ DEVOLVER LOS PRODUCTOS SIN HABERLOS UTILIZADO Y EN SU EMBALAJE ORIGINAL EN EL PLAZO DE TRES (3) DÍAS Y USTED RECIBIRÁ EL REEMBOLSO DEL DINERO DE SU COMPRA.

2. EXCLUSIONES DE LA PRESENTE GARANTÍA Y LIMITACIÓN DE RESPONSABILIDAD

La presente Garantía limitada no cubre los siguientes supuestos: (i) defectos o daños causados por fuerza mayor, accidentes, uso inapropiado o excesivo, sobrecarga que supere la capacidad del peso recomendado, negligencia, alteraciones, modificación, reparación o mantenimiento realizados por proveedores técnicos independientes o ajenos a Global, entre los que se incluyen las siguientes acciones realizadas por usted; (ii) ensamble o instalación o desinstalación inadecuados, operación o mantenimiento, conexiones periféricas, funcionamiento o mantenimiento incorrectos, o cualquier otra causa que no surja de un defecto en los materiales o en la mano de obra del Producto; (iii) todo Producto que no contenga el sticker de garantía o cuando dicho sticker haya sido retirado, modificado o esté dañado; (iv) contenedores de envío, baterías, gabinetes, medios, software o accesorios; (v) desgaste normal por el paso del tiempo; (vi) daño o pérdida de los Productos reparados o reemplazados durante el envío por parte de Global en los casos en que dicho daño o pérdida se hubieren producido por un mal o inadecuado embalaje por parte de Global; o (vii) Productos adquiridos fuera de los Estados Unidos o Canadá.

EN NINGÚN CASO GLOBAL SERÁ RESPONSABLE POR LA PÉRDIDA DE USO, INTERRUPTIÓN DE NEGOCIOS O CUALQUIER TIPO DE DAÑO INDIRECTO, ESPECIAL, INCIDENTAL, PUNITIVO O CONSECUENTE (INCLUIDA LA PÉRDIDA DE GANANCIAS), INDEPENDIEMENTE DEL TIPO DE ACCIÓN LEGAL, YA SEA EMANADOS DE UN CONTRATO, DE UN ACTO ILÍCITO (INCLUIDA LA CULPA), RESPONSABILIDAD OBJETIVA SOBRE EL PRODUCTO U OTROS. LO ANTERIOR SE APLICARÁ AÚN EN LOS CASOS EN QUE GLOBAL HAYA SIDO ADVERTIDA SOBRE LA POSIBILIDAD DE DICHOS DAÑOS. EN NINGÚN CASO, EN VIRTUD DE LA PRESENTE GARANTÍA, EL MONTO INDEMNIZATORIO POR RESPONSABILIDAD DE GLOBAL PODRÁ EXCEDER LOS USD 50.00 O LA SUMA QUE USTED HAYA PAGADO POR EL PRODUCTO OBJETO DE DICHA RESPONSABILIDAD, INDEPENDIEMENTE DE LA CAUSAL DE LA ACCIÓN LEGAL. POR EL CONTRATO, ACTO ILÍCITO, RESPONSABILIDAD OBJETIVA U OTRAS. DADO QUE NO EN TODAS LAS JURISDICCIONES RIGEN DICHAS LIMITACIONES EN LAS INDEMNIZACIONES, LAS LIMITACIONES ANTERIORES PUEDEN NO SER APLICABLES EN SU CASO.

3. PROCEDIMIENTO PARA EL SERVICIO DE GARANTÍA

Antes de devolver un Producto a Global para obtener el servicio de garantía, Usted debe contactar a Global, por teléfono al (800) 645-2986 (Estados Unidos) ó (888) 645-0878 (Canadá) a los fines de confirmar que dicho Producto esté contemplado en la presente Garantía Limitada. Si dicho Producto estuviera cubierto por la Garantía, usted recibirá un número de autorización de devolución de materiales de Global (en adelante, "ADM") y las instrucciones de envío previas al envío del Producto mencionado a Global. Usted deberá incluir su número de ADM con el envío del Producto correspondiente, junto con una copia fiel del recibo original que incluya la fecha de la compra del Producto realizada por usted.

Por favor tenga en cuenta que usted será responsable de todos los gastos de envío resultantes de la devolución de un artículo para su reemplazo o reparación. Global deberá abonar el envío de devolución del Producto reparado o reemplazado a direcciones dentro de Estados Unidos y Canadá solamente. Los gastos de envío a todas las demás direcciones fuera de Estados Unidos y Canadá quedan bajo su responsabilidad. En el caso de que Global estableciera que un Producto no se encuentra contemplado en la presente Garantía Limitada, usted deberá pagar todos los repuestos, la mano de obra y los gastos de envío por la devolución de dicho Producto

4. EXCLUSIONES Y LIMITACIONES DE LA GARANTÍA

SALVO EN LA MEDIDA EXPRESAMENTE ESTABLECIDA ANTERIORMENTE, NO EXISTEN DENTRO DE LA PRESENTE GARANTÍA EXPRESAS O IMPLÍCITAS, INCLUIDAS, AUNQUE SIN LIMITACIÓN, GARANTÍAS IMPLÍCITAS DE COMERCIABILIDAD O IDONEIDAD PARA UN PROPÓSITO DETERMINADO Y GLOBAL RECHAZA CUALQUIER TIPO DE GARANTÍA NO INCLUIDA EN LA PRESENTE.

SALVO EN LA MEDIDA EXPRESAMENTE ESTABLECIDA ANTERIORMENTE, LOS PRODUCTOS SON ENTREGADOS EN EL "ESTADO EN QUE SE ENCUENTRAN". GLOBAL NO OFRECE GARANTÍA ALGUNA, NI EXPRESA NI IMPLÍCITA, QUE PUDIERA SURGIR DURANTE EL TRANSCURSO DE UNA NEGOCIACIÓN O EL USO O QUE SEAN ESTABLECIDAS POR LEY, EN LO QUE RESPECTA A LOS PRODUCTOS O A CUALQUIER OTRO ASUNTO. LA PRESENTE CONSTITUYE UNA GARANTÍA LIMITADA Y ES LA ÚNICA GARANTÍA OTORGADA POR GLOBAL. LOS MANDATARIOS, EMPLEADOS, DISTRIBUIDORES Y COMERCIANTES DE GLOBAL NO PODRÁN REALIZAR MODIFICACIONES A LA PRESENTE GARANTÍA LIMITADA NI PRESTAR GARANTÍAS ADICIONALES QUE OBLIGUEN LEGALMENTE A GLOBAL. EN CONSECUENCIA, TODA DECLARACIÓN ADICIONAL, TALES COMO PUBLICIDADES O PRESENTACIONES DEL COMERCIANTE, YA SEAN ORALES O ESCRITAS, NO CONSTITUIRÁN GARANTÍAS OTORGADAS POR GLOBAL Y NO DEBERÁN CONSIDERARSE VÁLIDAS. GLOBAL NO GARANTIZA QUE LOS PRODUCTOS FUNCIONEN SIN FALLAS O QUE SATISFAGAN SUS NECESIDADES O EXPECTATIVAS. DADO QUE NO EN TODAS LAS JURISDICCIONES RIGEN DICHAS LIMITACIONES EN LAS INDEMNIZACIONES, LAS LIMITACIONES DE LA CLÁUSULA PUEDEN NO SER DE APLICACIÓN EN SU CASO.

5. ELECCIÓN DE LA LEGISLACIÓN Y JURISDICCIÓN

PARA COMPRAS REALIZADAS DENTRO DE LOS ESTADOS UNIDOS, la presente Garantía Limitada estará sujeta únicamente a las leyes del Estado de Nueva York, según se aplica a los contratos celebrados en el Estado de Nueva York entre residentes del Estado de Nueva York. Toda controversia que surja en virtud de la presente Garantía quedará sujeta a la sola jurisdicción de los Tribunales Estatales y Federales ubicados en el Condado de Nassau, Nueva York. Por medio de la presente Garantía, las partes acuerdan someterse a la jurisdicción personal de dichos tribunales.

PARA COMPRAS REALIZADAS EN CANADÁ - La presente Garantía Limitada quedará sujeta únicamente a las leyes de la Provincia de Ontario. Toda controversia que surja en virtud de la presente Garantía quedará sujeta a la sola jurisdicción de Ontario, Canadá. Por medio de la presente Garantía, las partes acuerdan someterse a la jurisdicción personal de dichos tribunales.

INSCRIVEZ-VOUS EN LIGNE AU

<http://www.globalindustrial.com/wr> or <http://www.globalindustrial.ca/wr>

Garantie globale limitée de 1 an

1. GARANTIE LIMITÉE

Global Equipment Company Inc. (DBA Global Industrial) («Global») vous garantit, l'acheteur initial et à l'utilisateur («vous» ou «votre»), que les produits que vous avez achetés et qui accompagnent cette garantie limitée («produits») sont exempts de tout défaut de matériaux et fabrication dans des conditions normales d'utilisation conformément à la documentation suivant pour une période d'un an débutant à la date d'achat (la «période de garantie»).

Global réparera ou remplacera tout produit jugé défectueux et qui a été retourné, tel que stipulé à la section 3 ci-dessous, à Global. Un produit peut être remplacé par un produit neuf ou usagé et/ou par une révision actuelle ou antérieure. Lorsque Global détermine à son seul jugement que la réparation ou le remplacement de ce produit n'est pas raisonnable, Global gardera le produit non conforme et vous remboursera le montant que vous avez payé pour ce produit. Les produits retournés sont soumis au reste de la période de garantie applicable par ailleurs. Toutes les pièces reconditionnées utilisées par Global sont soumises à toutes les mêmes dispositions que celles qui s'appliquent autrement aux nouvelles pièces.

CE QUI PRÉCÈDE DÉCRIT LA RESPONSABILITÉ EXCLUSIVE DE GLOBAL, ET VOTRE SEUL RECOURS, POUR TOUT MANQUEMENT À LA GARANTIE. SI VOUS N'ÊTES PAS D'ACCORD AVEC LES TERMES DE CETTE GARANTIE LIMITÉE, VOUS DEVEZ RETOURNER LES PRODUITS INUTILISÉS ET DANS LEUR EMBALLAGE D'ORIGINE DANS LES TROIS (3) JOURS ET VOTRE PRIX D'ACHAT SERA REMBOURSÉ.

2. EXCLUSIONES DE GARANTIE ET LIMITATION DE RESPONSABILITÉ

La présente garantie limitée ne couvre pas: (i) les défauts ou dommages résultant d'actes de Dieu, d'accident, de mauvais usage ou d'abus, de surcharge, du dépassement de la capacité de poids recommandée, de négligence, des altérations, modification, service ou réparation par autre que Global ou ses fournisseurs de services tiers indépendants, y compris sans vos limites; (ii) d'un montage ou d'une installation ou d'une désinstallation, d'un fonctionnement ou d'un entretien incorrects, des connexions incorrectes avec des périphériques ou d'autres causes ne résultant pas de défauts dans les matériaux ou la fabrication de produits; (iii) tout produit pour lequel la vignette de garantie a été enlevée, modifiée ou défigurée; (iv) des conteneurs, piles, armoires, supports, logiciels ou accessoires d'expédition; (v) d'une usure normale; (vi) des dommages ou la perte de produits réparés ou remplacés pendant l'expédition par Global, sauf si ces dommages ou pertes sont causés par des emballages pauvres ou inadéquats par Global; ou (vii) des produits achetés en dehors des États-Unis ou du Canada.

GLOBAL NE POURRA EN AUCUN CAS ÊTRE TENU RESPONSABLE DE TOUTE PERTE D'UTILISATION, D'INTERRUPTION D'ACTIVITÉ OU DE TOUT DOMMAGE INDIRECT, SPÉCIAL, ACCIDENTEL, PUNITIF OU CONSÉCUTIF DE QUELQUE NATURE QUE CE SOIT (Y COMPRIS LES PERTES DE PROFITS), QUELLE QUE SOIT LA FORME D'ACTION CONTRACTUELLE, DÉDUCTUELLE (Y COMPRIS LA NÉGLIGENCE), LA RESPONSABILITÉ STRICTE DU PRODUIT OU AUTRE, MÊME SI GLOBAL A ÉTÉ AVISÉ DE LA POSSIBILITÉ DE TELS DOMMAGES. EN AUCUN CAS LA RESPONSABILITÉ ENTÈRE CI-DESSUS DE GLOBAL NE DÉPASSERA CE QUI EST PLUS ÉLEVÉ ENTRE \$50 OU LE MONTANT QUE VOUS AVEZ EFFECTIVEMENT PAYÉ POUR LE PRODUIT DONNANT LIEU À CETTE RESPONSABILITÉ, INDÉPENDAMMENT DE LA CAUSE D'ACTION, DANS LE CONTRAT, LE DÉLIT, LA RESPONSABILITÉ STRICTE OU AUTREMENT. TOUTES LES JURISDICTIONS N'AUTORISENT PAS CES LIMITATIONS DE DOMMAGES, DE SORTIE QUE LES LIMITATIONS QUI PRÉCÈDENT PEUVENT NE PAS S'APPLIQUER À VOUS.

3. PROCÉDURE DE SERVICE SOUS GARANTIE

Avant de retourner tous les produits à Global pour le service de garantie, vous devez d'abord contacter Global, par téléphone au (800) 645-2986 (US) ou (888) 645-0878 (Canada) pour confirmer que ces produits sont couverts par cette garantie limitée. Si ces produits sont ainsi couverts, vous obtiendrez de Global un numéro d'autorisation de retour de matériel («ARM») et des instructions d'expédition avant toute expédition de ces produits à Global et vous devez inclure ce numéro ARM avec n'importe quelle expédition correspondante de produit, ainsi qu'une copie exacte et correcte du reçu original indiquant la date d'achat de l'achat de votre produit, ainsi qu'une description détaillée et écrite de tout problème de produit associé.

Veillez noter que vous êtes responsable de tous les frais d'expédition engagés pour retourner un article pour un échange ou une réparation. Global doit payer pour l'expédition de retour des produits réparés et/ou remplacés aux adresses aux États-Unis et au Canada seulement ainsi que pour les expéditions de retour à toutes les autres adresses à l'extérieur des États-Unis ou du Canada en revient de votre responsabilité. Si Global détermine que n'importe quel produit n'est pas couvert par cette garantie limitée, vous devez payer toutes les pièces, frais de main-d'œuvre et expédition de retour pour ce produit.

4. DÉNI DE GARANTIE ET LIMITATIONS

SAUF ET DANS LA MESURE EXPRESSEMENT ÉNONCÉE CI-DESSUS IL N'Y A AUCUNE GARANTIE, EXPRESSE OU IMPLICITE, Y COMPRIS MAIS SANS S'Y LIMITER À TOUTE GARANTIE DE QUALITÉ MARCHANDE OU D'ADAPTATION À UN USAGE PARTICULIER ET GLOBAL DÉCLINE EXPRESSEMENT TOUTES LES GARANTIES NON MENTIONNÉES DANS LE PRÉSENT DOCUMENT.

SAUF ET DANS LA MESURE EXPRESSEMENT ÉNONCÉE CI-DESSUS, LES PRODUITS SONT FOURNIS SUR UNE BASE «TEL QUEL» ET GLOBAL NE FAIT AUCUNE GARANTIE ADDITIONNELLE, EXPRESSE, IMPLICITE, DÉCOULANT DE COURS DE TRAITEMENT OU D'UTILISATION DU COMMERCE OU STATUTAIRE, QUANT AUX PRODUITS OU QUELQUE MATIÈRE QUE CE SOIT. IL S'AGIT D'UNE GARANTIE LIMITÉE ET EST LA SEULE GARANTIE FAITE PAR GLOBAL. LES AGENTS, LES EMPLOYÉS, LES DISTRIBUTEURS ET LES CONCESSIONNAIRES DE GLOBAL NE SONT PAS AUTORISÉS À APPORTER DES MODIFICATIONS À CETTE GARANTIE LIMITÉE, OU À FAIRE DES GARANTIES SUPPLÉMENTAIRES CONTRAIGNANTES POUR GLOBAL. PAR CONSÉQUENT, DES DÉCLARATIONS SUPPLÉMENTAIRES TELLES QUE LA PUBLICITÉ OU LA PRÉSENTATION DES CONCESSIONNAIRES, QU'ELLES SOIENT ORALES OU ÉCRITES, NE CONSTITUENT PAS DES GARANTIES GLOBALES ET NE DEVRAIENT PAS ÊTRE INVOQUÉES. GLOBAL NE GARANTIT PAS QUE LES PRODUITS FONCTIONNERONT SANS DÉFAILLANCE, OU QUE LES PRODUITS RÉPONDENT À VOS BESOINS OU À VOS ATTENTES. PAS TOUTES LES JURISDICTIONS NE PERMETTENT DE TELLES LIMITATIONS DE GARANTIE AINSI LES LIMITATIONS CI-DESSUS PEUVENT NE PAS S'APPLIQUER À VOUS.

5. CHOIX DE LA LOI ET DE LA JURIDICTION

POUR LES ACHATS AUX ÉTATS-UNIS : cette garantie limitée est soumise aux seules lois de l'état de New York, telles qu'appliquées aux contrats conclus dans l'état de New York entre les résidents de New York. Tout litige découlant des présentes est soumis à la seule compétence de l'État et des tribunaux fédéraux situés dans le comté de Nassau, New York. Les parties consentent par la présente à la compétence personnelle de ces tribunaux.

POUR LES ACHATS AU CANADA : cette garantie limitée est assujettie uniquement aux lois de la province de l'Ontario. Tout différend découlant des présentes est assujetti à la seule compétence de la province de l'Ontario, au Canada. Les parties consentent par la présente à la compétence personnelle de ces tribunaux.