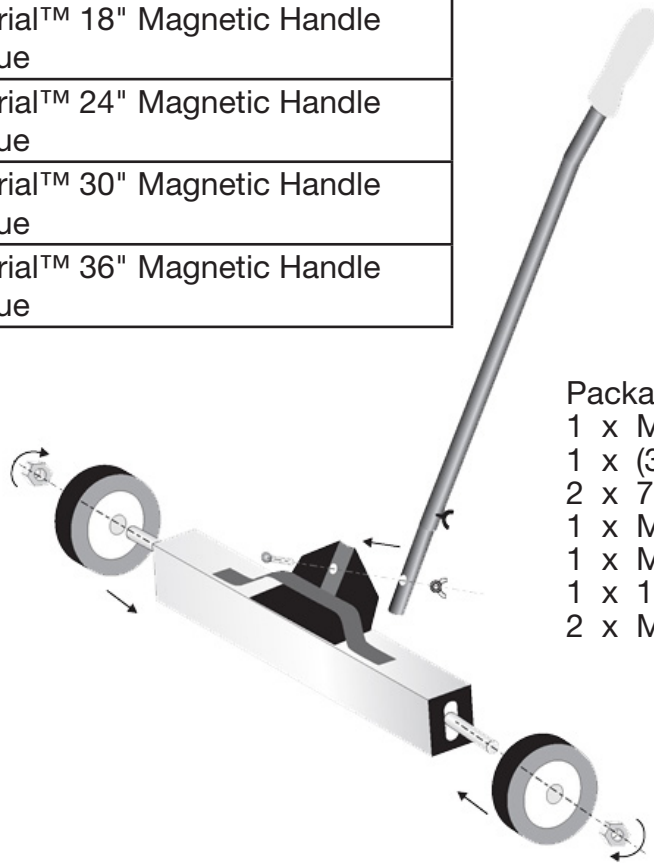


Magnetic Sweeper Instruction Manual

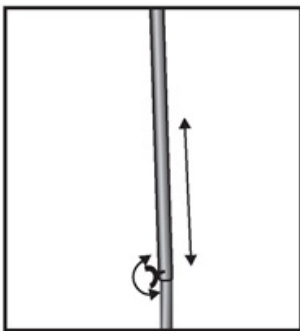
Easily pick up and release nails, screws, paper clips, and more. It can be used for sweeping factory aisles, shop aisles, construction sites, walkways, loading docks, parking lots, etc.

Model #	Description
641775	Global Industrial™ 18" Magnetic Handle Sweeper – Blue
641776	Global Industrial™ 24" Magnetic Handle Sweeper – Blue
641777	Global Industrial™ 30" Magnetic Handle Sweeper – Blue
641778	Global Industrial™ 36" Magnetic Handle Sweeper – Blue

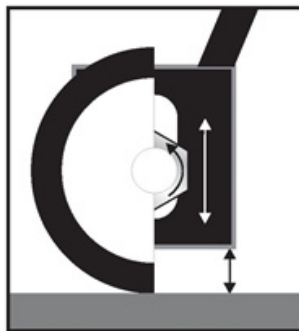


Package Content

- 1 x Magnetic Sweeper Base
- 1 x (30"-44") Telescoping Handle
- 2 x 7" Wheels
- 1 x M8 Wing Nut
- 1 x M8 Screw
- 1 x 10 D Gasket
- 2 x M12 Hex Nuts



Unscrew the adjusting bolt to adjust the handle length



Adjust the height of the wheel pole to adjust the magnetic force



Release by lifting up the release handle