



www.globalindustrial.com

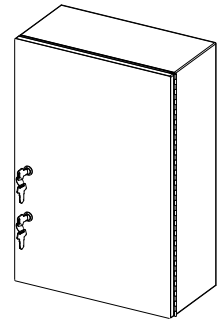
US: 888-628-3466

Canada: 888-645-2986




Mexico: 01.800.681.6940

Medical Security Cabinet

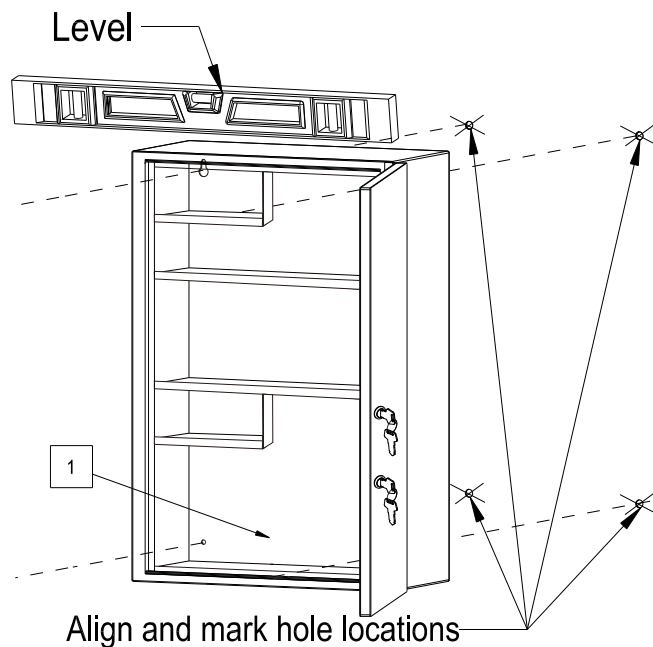
Model 436945, 436945SS



Contents

Ref.	Qty.	Description	Ref.	Qty.	Description
1	1	Cabinet	H1	4	Plastic Anchor
2	2 (Sets)	Key 	H2	4	Pan Head Screw 
			H3	4	Washer 

1

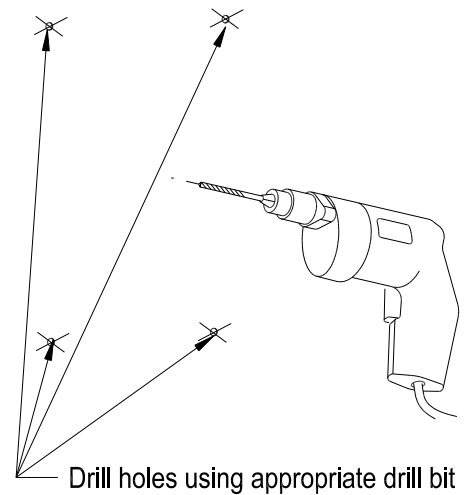


Level

1

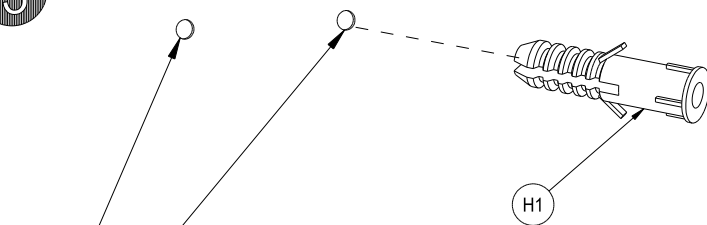
Align and mark hole locations

2



Drill holes using appropriate drill bit

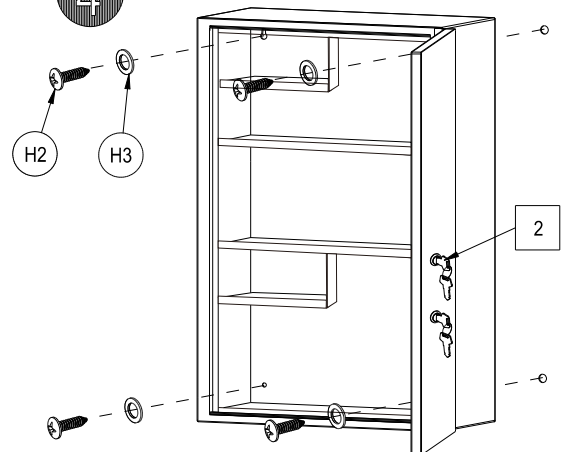
3



H1

Insert plastic anchors flush to surface

4



H2

H3

2

Attach cabinet to wall with hardware Provided