

User Manual

Manual de Usuario

Manuel de l'Utilisateur

Customer Service
US: 1-800-645-2986

Servicio de atención al Cliente
US: 1-800-645-2986




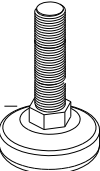

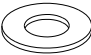

Service à la clientèle
Canada: 888-645-2986

SHOP DESK

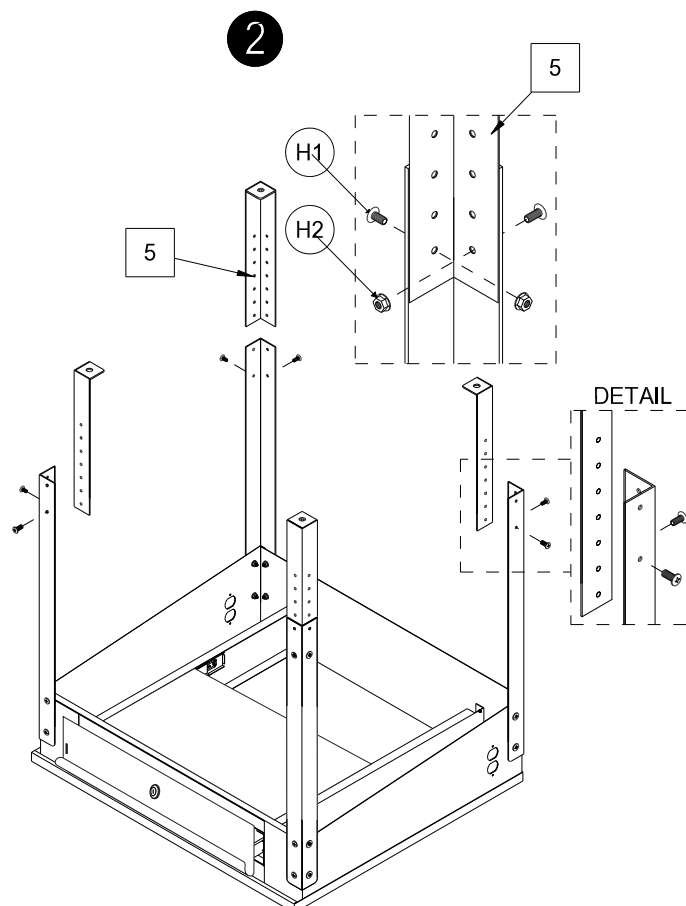
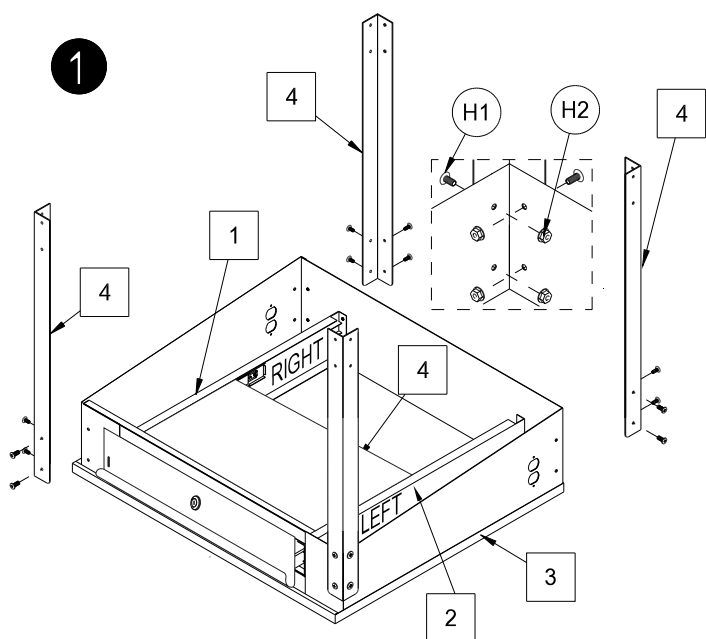
319392

319355

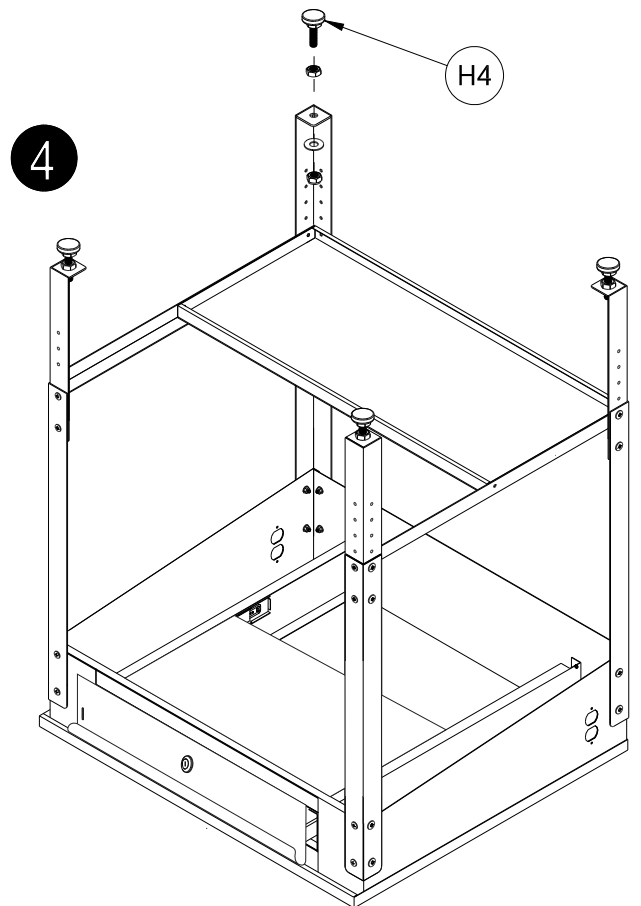
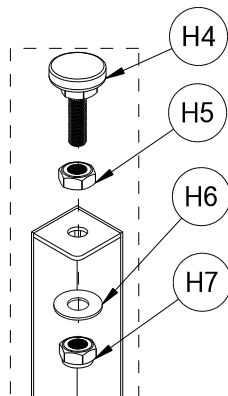
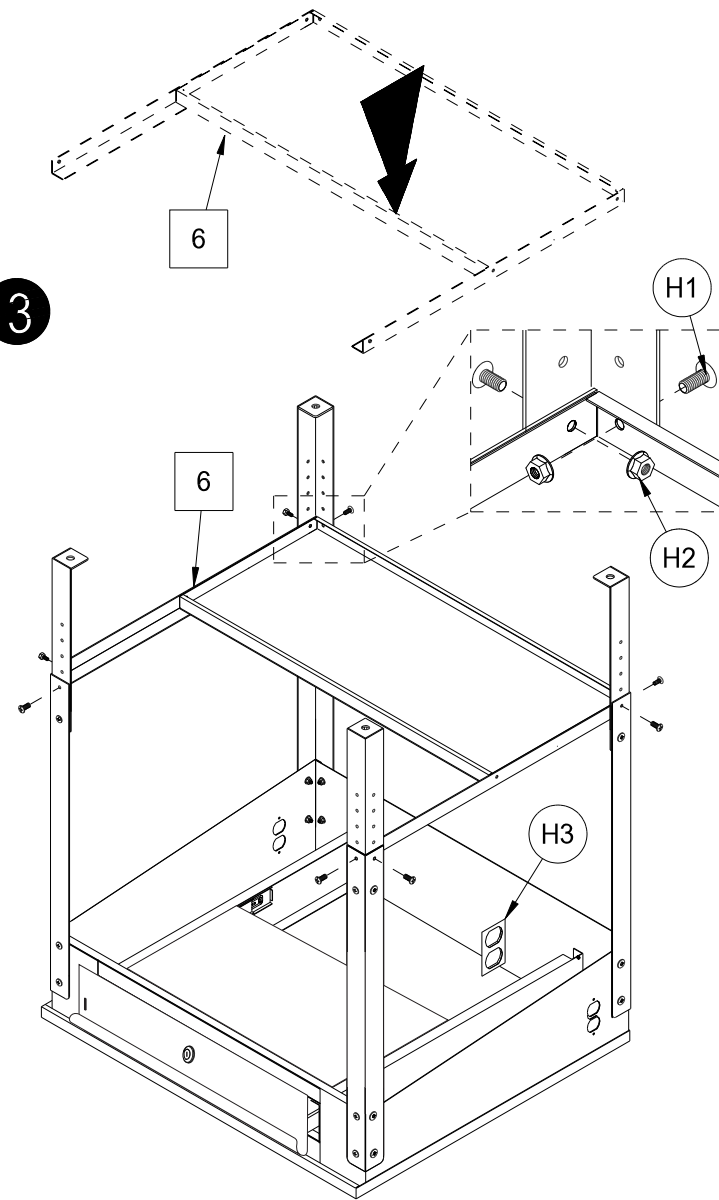
Model 319355BK

CONTENTS		
REF.	QTY.	DESCRIPTION
H1	36	M6 x 1.0 x 12 mm Lg. Phillips Pan Head Screw 
H2	36	M6 Hex Serrated Flange Nut 
H3	2	Plastic Outlet Cover 
H4	4	M12 x 1.75 leveling feet 
H5	4	M12 Hex Nut 
H6	4	Plain Washer 
H7	4	M12 Hex Lock Nut 

CONTENTS		
REF.	QTY.	DESCRIPTION
1	1	RIGHT SIDE TRACK SUPPORT (Assembly)
2	1	LEFT SIDE TRACK SUPPORT (Assembly)
3	1	DESK TOP
4	4	LEG
5	4	LEG EXTENSION
6	1	LOWER SUPPORT SHELF
7	1	PIGEON HOLE ORGANIZER
8	1	DRAWER

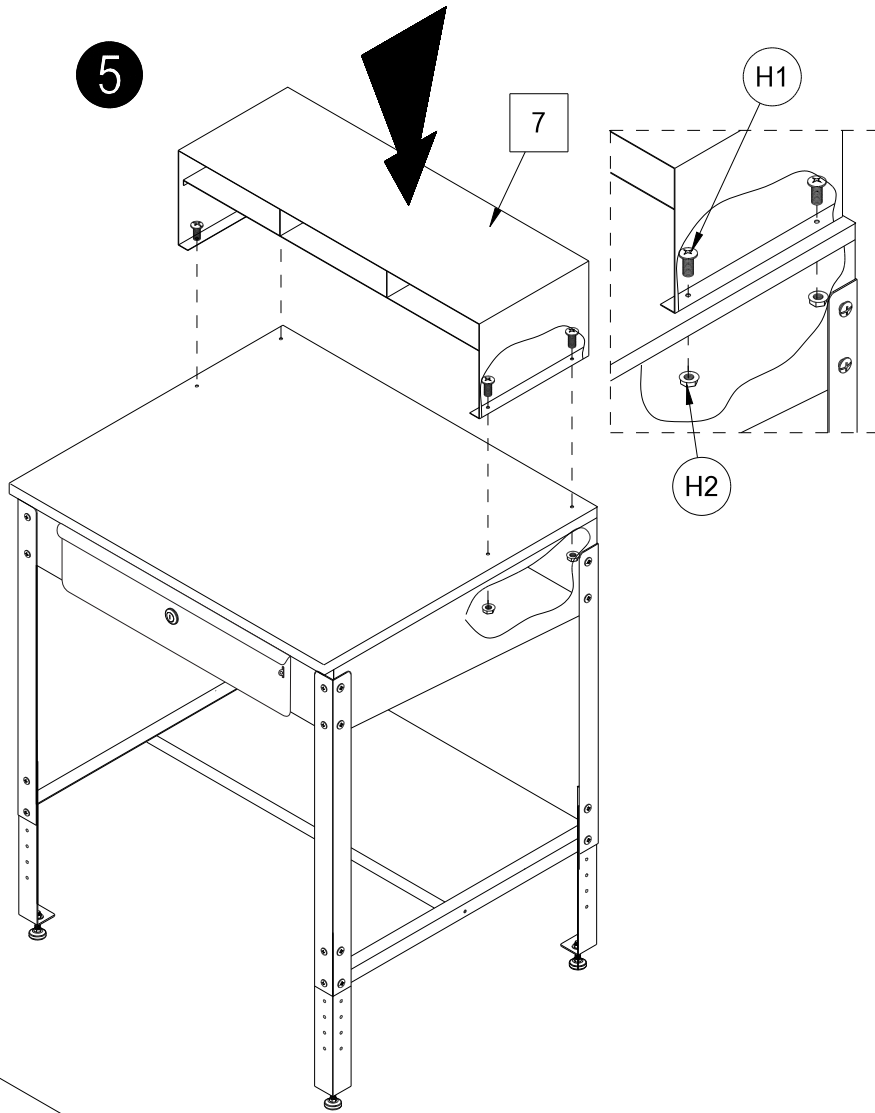


SHOP DESK

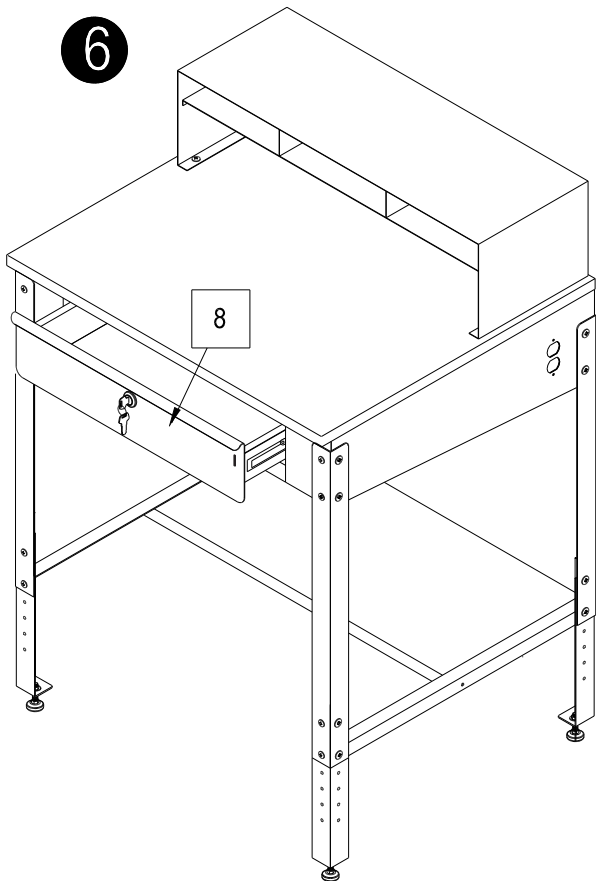


SHOP DESK

5



6



NOTE:
TO REMOVE DRAWER
PUSH DOWN ON RIGHT TAB,
AND PULL UP ON LEFT TAB.

