

**Assembly Instructions**
**Instrucciones de Ensamblaje**
**Directives d'assemblage**

 Customer Service  
 US: 1-800-645-2986

 Servicio de atención al Cliente  
 US: 1-800-645-2986

 Service à la clientèle  
 Canada: 888-645-2986

## Plastic Automatic Roll Paper Towel Dispenser Model no. 641519

### Installation Manual

#### Components

1. Lock
2. Base
3. Top paper holder wheel
4. Bottom paper holder
5. Battery cover
6. Transfer bar
7. Rubber wheel
8. Small wheel
9. Sensor
10. Cover

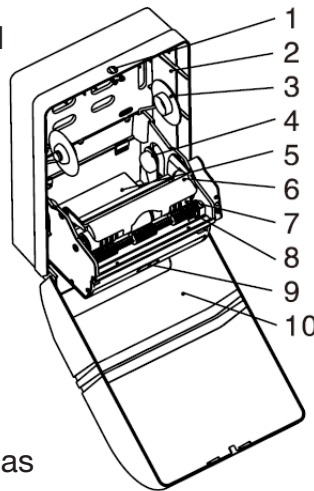


Figure 1

#### Installation

Unlock the cover with the key. Drill 4 holes of 6mm diameter as shown in Figure 2. Position the dispenser on the wall and insert the wall anchors and screws.

#### Battery Requirement

Dispenser is powered by 4 "D" size alkaline batteries (not included). The dispenser will not work if the batteries are incorrectly installed. Low battery is indicated by one flash per second. The battery is out of electricity when the indicator flashes twice per second.

#### Package

- Auto dispenser - Qty. 1
- User manual - Qty. 1
- 6mm plastic wall anchor – Qty. 4
- 4mmx25mm self thread screws - Qty. 4
- Key – Qty. 1

#### Specifications

- Power: DC 4 x 1.5V R20S
- Sensing distance: 8 ± 1 cm
- Paper dispenser length: 7-7/8", 9-7/8", 11-7/8" (200mm, 250mm, 300mm)
- Roll width: 8" (205mm)
- Roll Length: 800 ft (244m)
- Roll diameter: 8" (205mm)
- Core Diameter: 3.5" (90mm)

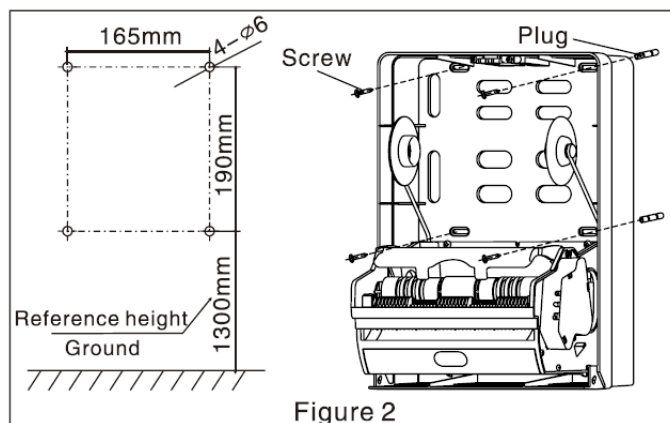


Figure 2

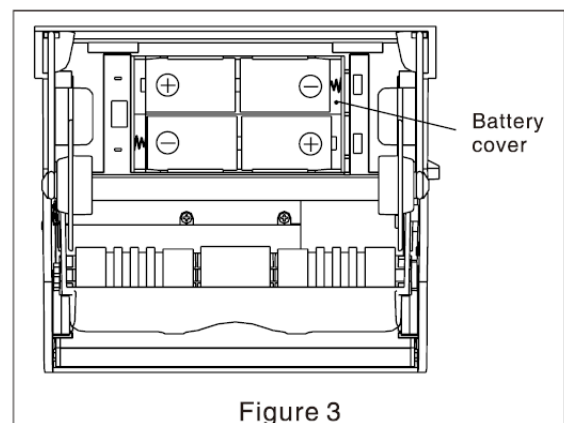
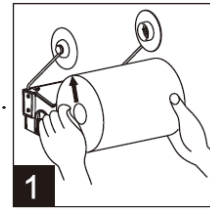


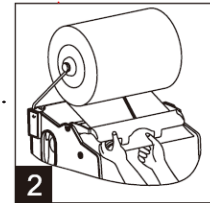
Figure 3

## Paper Towel Roll Installation

1. Pull the paper holder wheels from both sides slightly, ..... and put a new roll of paper towel into it.

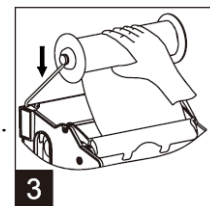


2. Use one hand to lift up the transfer bar and use the other hand to pull the paper towel between the transfer bar and rubber wheel. Put down the transfer bar and close the cover.

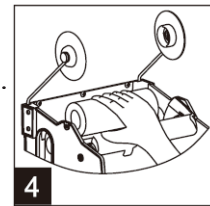


**When the diameter of the roll is less than 0.39" (10mm), follow Step 3 and 4 to insert a new roll.**

3. Remove the remaining roll from the paper holder wheels.



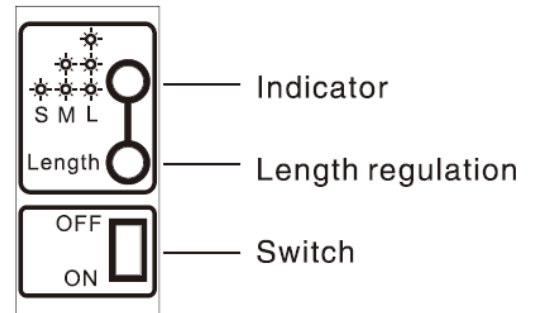
4. Put the remaining roll between the roll holders. Then follow Step 1 and Step 2 to install a new roll of paper towel.



## Length Adjustments

Turn on the power, use the "Length Adjustment" button to adjust to any of the three different length options. Cycle through each length option by pressing the button once per length setting. Each dispenser length indicated as follows:

Dispense length	Indicator
Sm. - 7-7/8"	Flash one times
Med. - 9-7/8"	Flash two times continuously
Lg. - 11-7/8"	Flash three times continuously



## Troubleshoot

If the roll towel dispenser does not work normally, check:

1. If the batteries are installed correctly, and if the batteries have sufficient power.
2. If there is something blocking the paper towel sensor.
3. If the roll is turning freely.