



GLOBAL[®] INDUSTRIAL

We can supply that.[®]

User's manual

Manual del usuario

Manuel de l'utilisateur

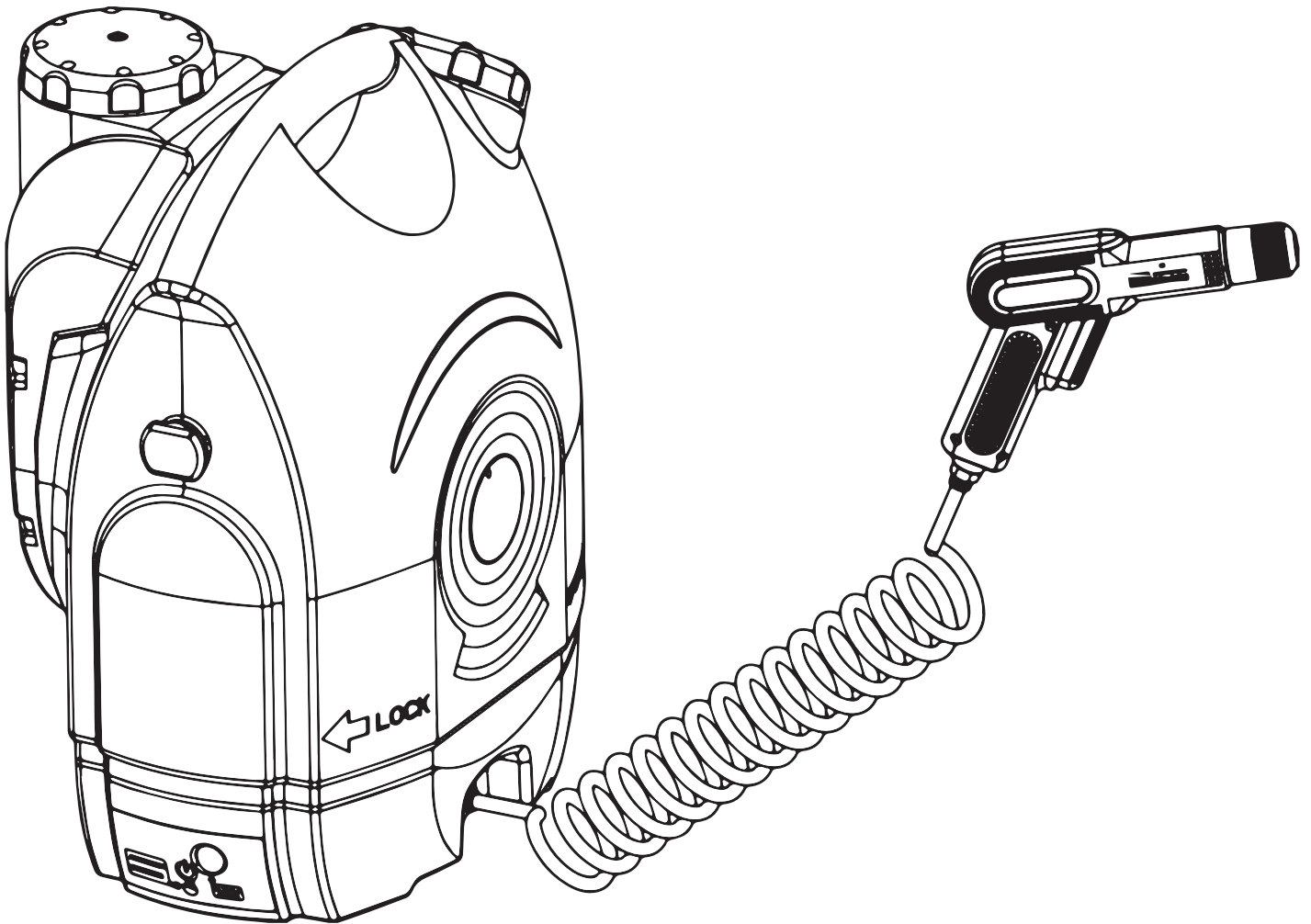
Customer Service
US: 1-800-645-2986

Servicio de atención al Cliente
US: 1-800-645-2986

Service à la clientèle
Canada: 888-645-2986

Portable Pressure Washer

Model 604147



FEATURES

- Low water consumption & High water pressure
- Energy-saving & Environmental friendly
- Portable, Durable, Safe & Splash proof
- Housework Cleaning: Bathroom, sinks, pets, and garden
- Perfect for Camping, Boating and any outdoor activities

SPECIFICATIONS

- Water pressure: 100 PSI
- Voltage: 12V (DC)
- Power: 36W
- Hose: 16.4 ft.
- Charger Cable: 10 ft.
- Capacity: 4 Gallons
- Weight: 8.8 lbs.
- Dimension: 14" x 11.4" x 17.9"



Portable Pressure Washer

CONTENTS

Operating Instructions	3
Important Safety Instructions	3
Warning (To Reduce the risk of injury)	4
Features	5
How to Assemble	6
Multifunctional Spray Gun	7
How to Operate	10
Auto Stop	13
General Maintenance	13
Storing of Portable Car Washer	15
Trouble Shooting	16

Portable Pressure Washer

CONGRATULATIONS

We trust your new purchase will bring you many years of satisfaction. Our company has designed and developed this product with you in mind. We are very proud of our products and hope that you are equally satisfied with the quality and performance.

Thank you for your support in choosing our products.

OPERATING INSTRUCTIONS

1 OPERATING INSTRUCTIONS

Please read these instructions and warnings carefully before using your Portable Pressure washer.



WARNING

Small parts may cause choking hazard.

2 IMPORTANT SAFETY INSTRUCTIONS

When you use the appliance, basic precautions should always be followed:

1. DO NOT FILL ANY LIQUID OTHER THAN CLEAN WATER, SERIOUS INJURY MAY OCCUR.
2. STUDY THE PRODUCT THOROUGHLY BEFORE OPERATING IT, BE FAMILIAR WITH IT'S OPERATING CONTROLS.
3. DO NOT OPERATE THE PRODUCT WHEN IN DOUBTS OR UNDER THE INFLUENCE OF ALCOHOL OR DRUGS.
4. **DAMAGED HIGH PRESSURE HOSES CAN BURST AND CAN CAUSE A POTENTIALLY HAZARDOUS SITUATION OR INJURY. HIGH PRESSURE HOSES SHOULD NOT BE KINKED, CRUSHED, TWISTED, OR DAMAGED IN ANY WAY. REPLACE THE HIGH PRESSURE HOSE SHOULD THIS OCCUR.**
5. USE WATER OF TEMPERATURE AT 50°F to 104°F ONLY.

Portable Pressure Washer

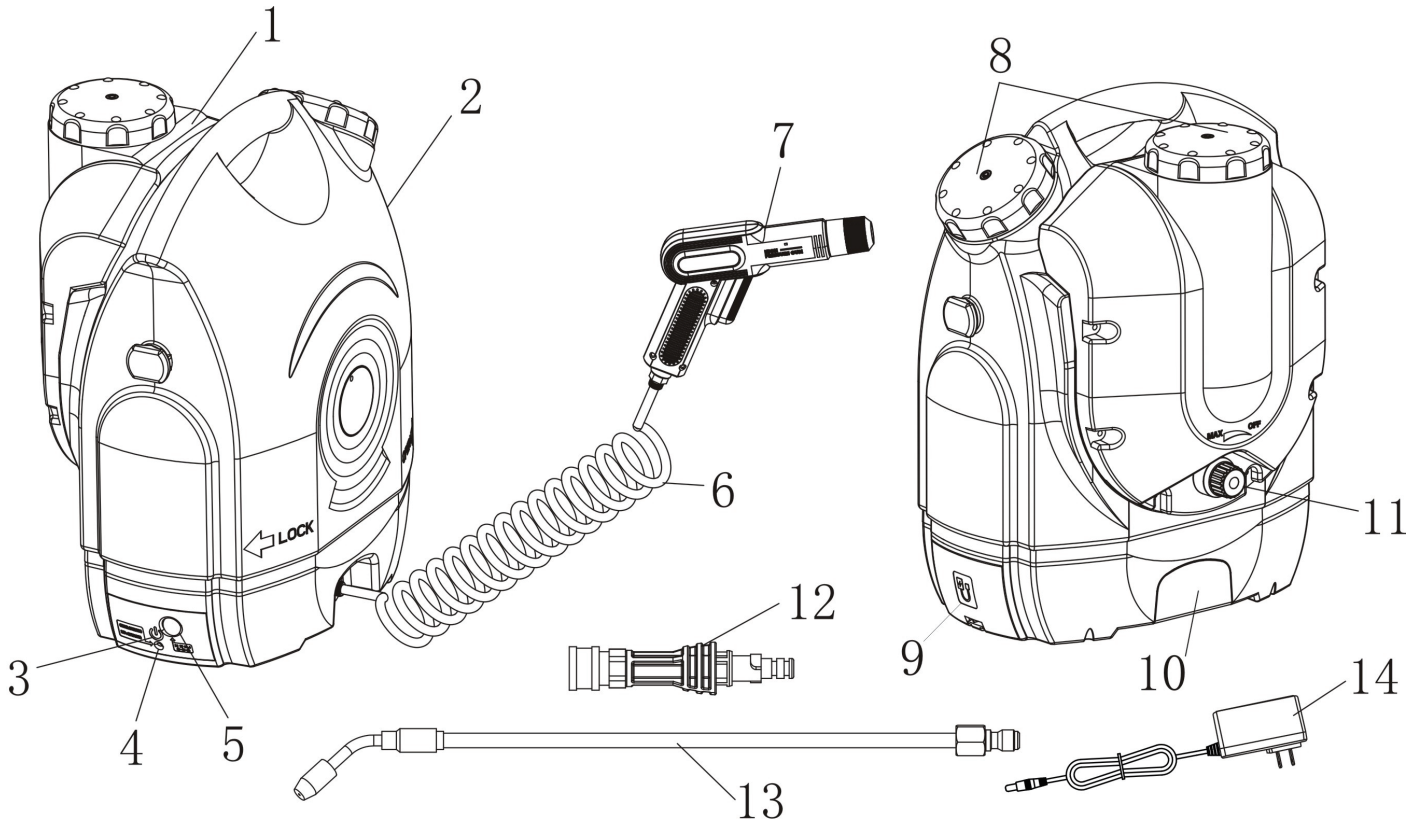
3 WARNINGS

TO REDUCE THE RISK OF INJURY:

1. Do not leave appliance when plugged in. Unplug from power port when not in use and before maintenance of machine.
2. This is NOT a toy. Close attention is necessary when used near children.
3. Use only manufacturer's recommended accessories and replacement parts.
Do not use with damaged cord or plug. Do not use the appliance if it is damaged or dropped into water and when it is not working as it should.
4. Do not pull or carry by cord, or to use cord as handle, or to pull cord around sharp edges. Keep cord away from heated surfaces.
5. Keep nozzle free of obstructing objects. Do not use machine when nozzle clogged; keep free of dust, lint, hair, and anything that may reduce air flow.
6. Keep hair, loose clothing, fingers, and all parts of body away from moving machine parts.
7. Do not use without water filter in place.
8. Turn off all controls before unplugging.
9. Using improper voltage may result in damage to the motor and possible injury to the user. Proper voltage is listed on the cleaner plate.
10. Do not direct the water jet toward the unit itself, electrical parts or towards other electrical equipment.
11. Do not alter the original diameter of the spray head nozzle.
12. DISCHARGE residual pressure before disconnecting the portable car washer hose.
13. Before using the portable car washer, CHECK every time that the screws are fully tightened and that there are no broken or worn parts.
14. Not to be used with chlorine based type cleaners, or any detergents.
15. Do not fill the water container with anything but water, or your warranty will be VOID.
16. Never submerge the machine in water.
17. Do not allow the system to freeze. Always empty and store indoors. Freezing will damage pump and water lines.
18. Do not remove cover plate or attempt to disassemble your machine. This will void all warranty, and may cause serious injury.
19. Always use the recommended plug/amp fuse for your machine. Any other may cause damage to your machine or vehicle.
20. Do not spray water directly at eyes or mouth.

Portable Pressure Washer

4 FEATURES



- | | |
|--------------------------|---|
| 1. Cleaning agent bucket | 9. Charger box |
| 2. Clear water bucket | 10. Cigarette lighter box |
| 3. Power Switch | 11. Foam flow adjustment knob |
| 4. Work indicator | 12. Connection tube |
| 5. Charging port | 13. Universal telescopic tube
(Air conditioning cleaning tube) |
| 6. Spring water pipe | 14. Charger |
| 7. Spray gun | |
| 8. Breathable bucket lid | |

Portable Pressure Washer

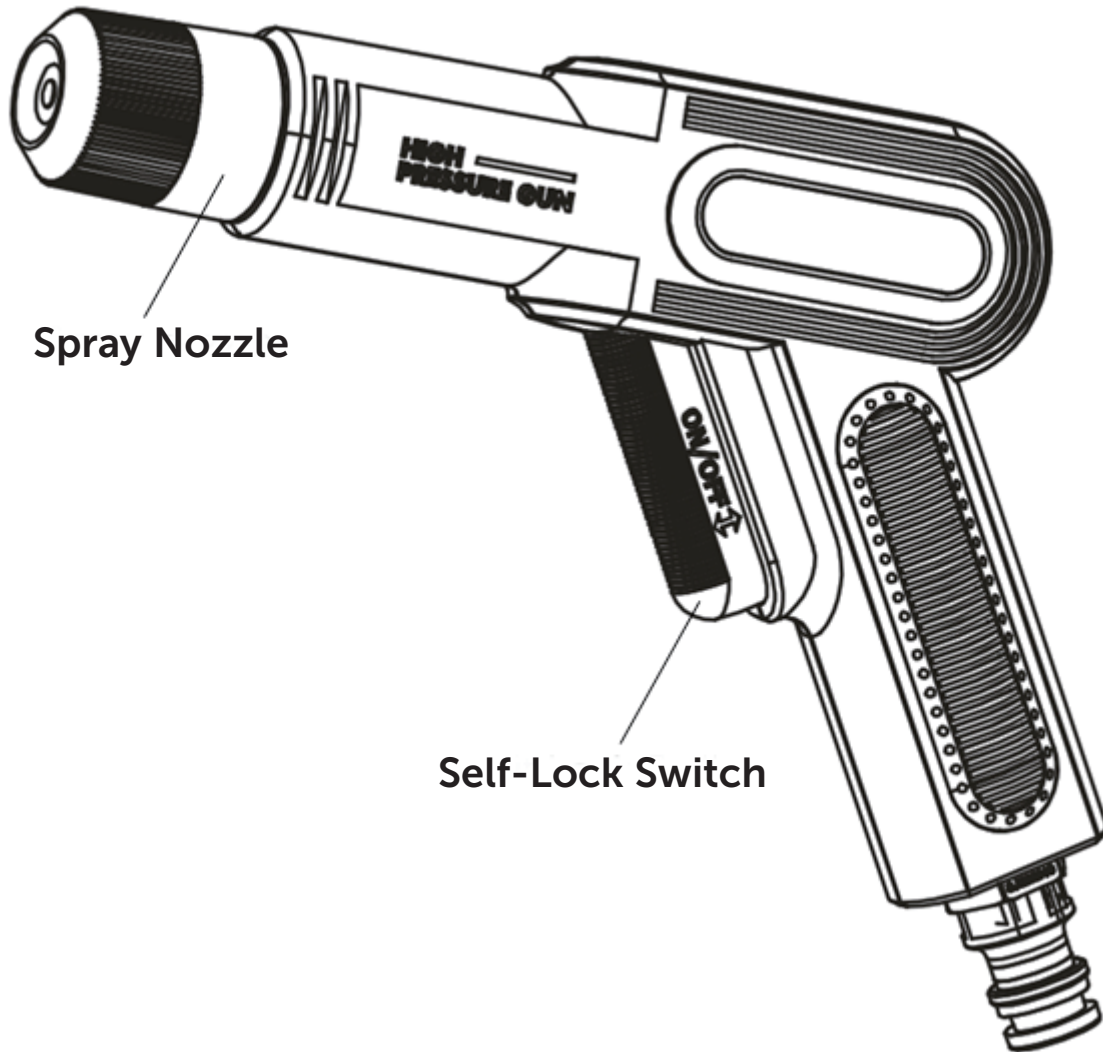
5 Assembly

The portable pressure washer is shipped fully assembled.

Note: The battery should be fully charged before the first use. Using charger to connect the charging port and charge the unit until the light on the charger is green.

Portable Pressure Washer

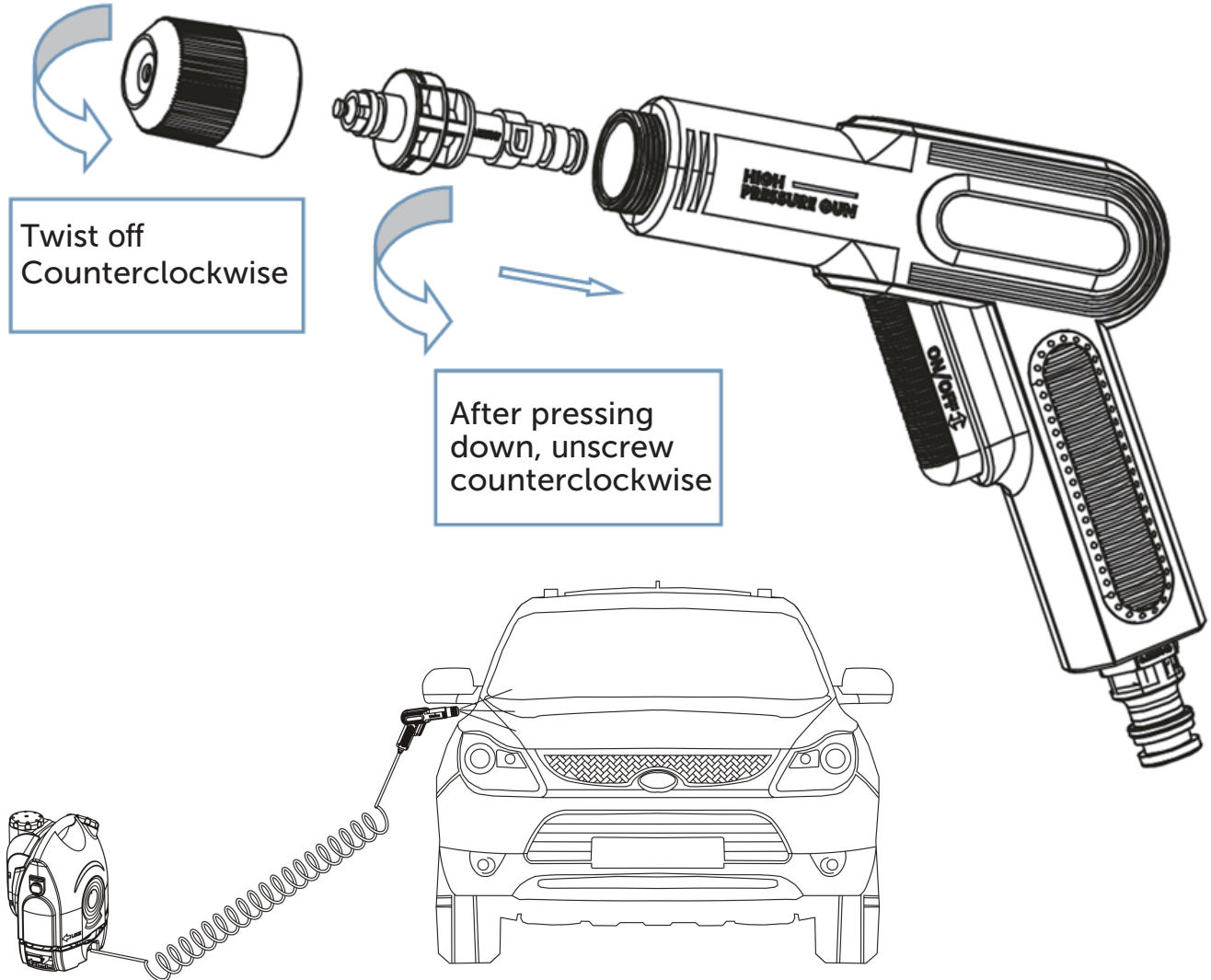
6 MULTIFUNCTIONAL SPRAY GUN



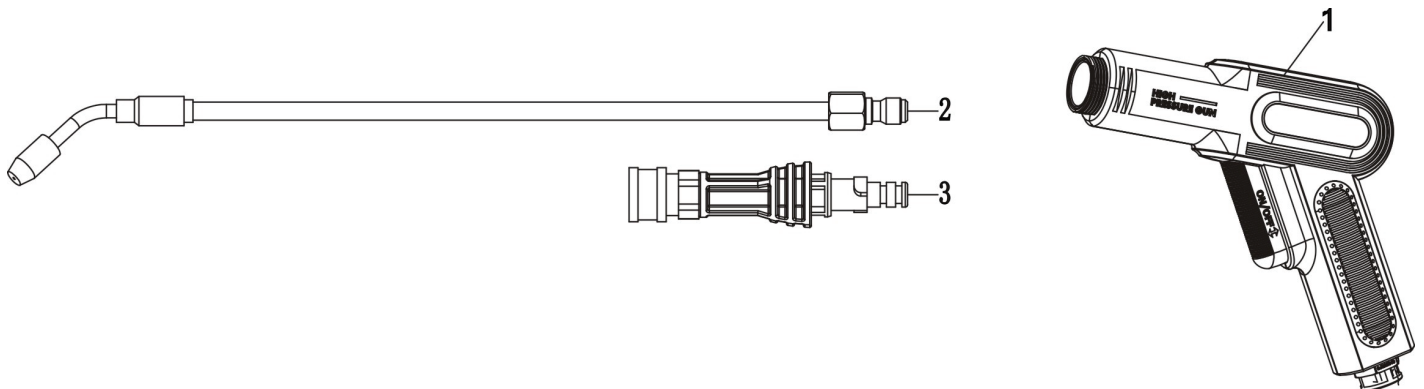
The water flow can be switch between cylindrical and fan-shaped by rotating the sprayer nozzle clockwise and counter clockwise.

Portable Pressure Washer

1. The water gun head can be replaced with a variety of standard gun heads on the market, the replacement method is shown below.



2. Air conditioning cleaning kit, can be universal to a variety of standard gun head on the market

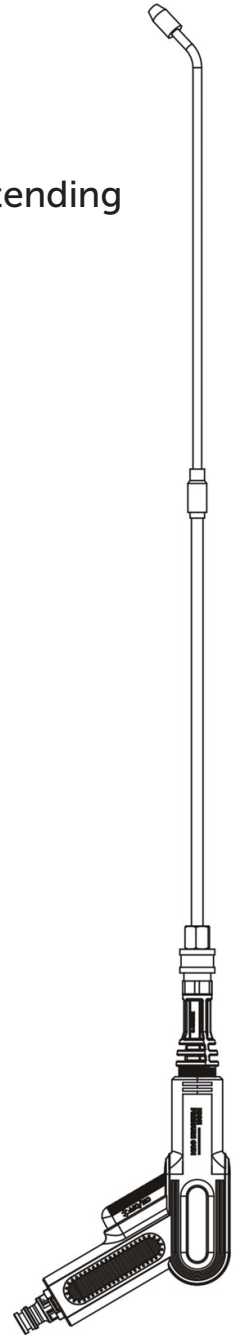
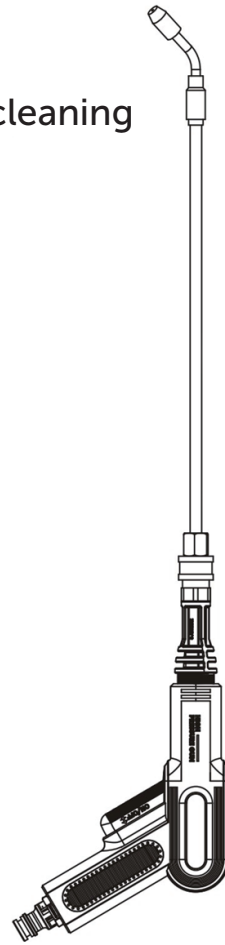
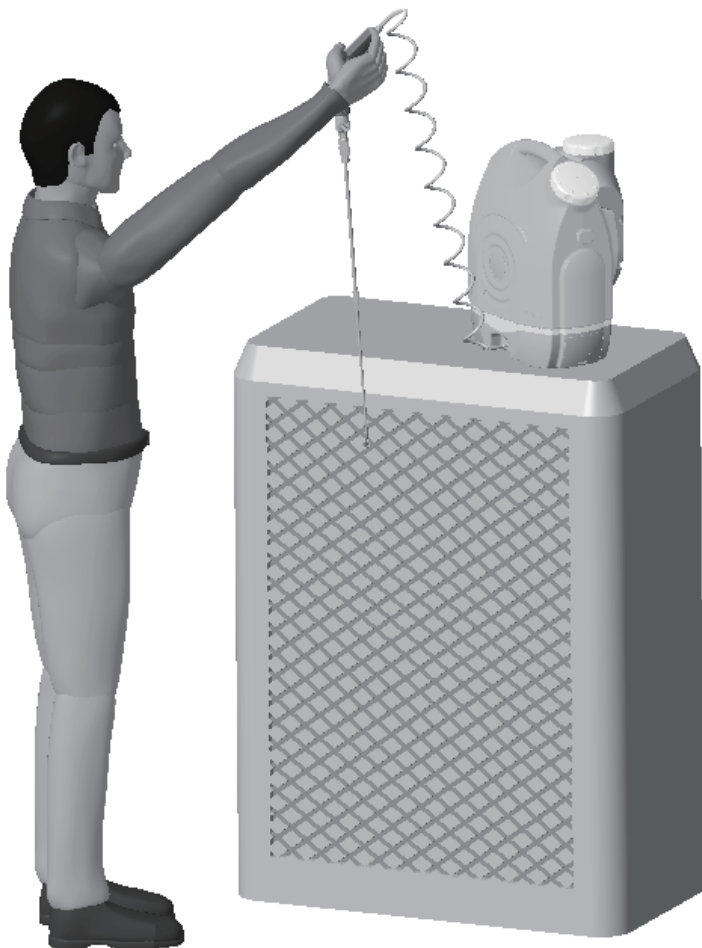


- (1). Spray gun
- (2). Universal telescopic tube (air condition cleaning tube)
- (3). Connection tube

Portable Pressure Washer

Cleaning tube after extending

Air conditioning cleaning

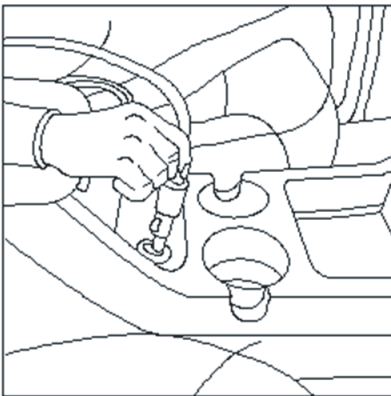


Portable Pressure Washer

7 HOW TO OPERATE

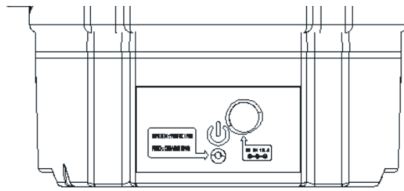
IMPORTANT: MUST READ ALL OPERATING INSTRUCTIONS PRIOR TO FIRST USE.

IMPORTANT: DISCONNECT THE POWER CABLE WHENEVER ENGINE IS TURNED OFF FOR EXTENDED PERIODS OF TIME. THE POWER DOES NOT TURN OFF AFTER SWITCHING OFF THE ENGINE IN SOME CARS. IF THE POWER PLUG IS LEFT CONNECTED, THE BATTERY MAY BECOME RUN DOWN OR DAMAGED.



(Diagram 1)

Plug into car cigarette lighter or power port.



(Diagram 2)



(Diagram 3)

NOTE: Some vehicles require that ignition be in accessory position.

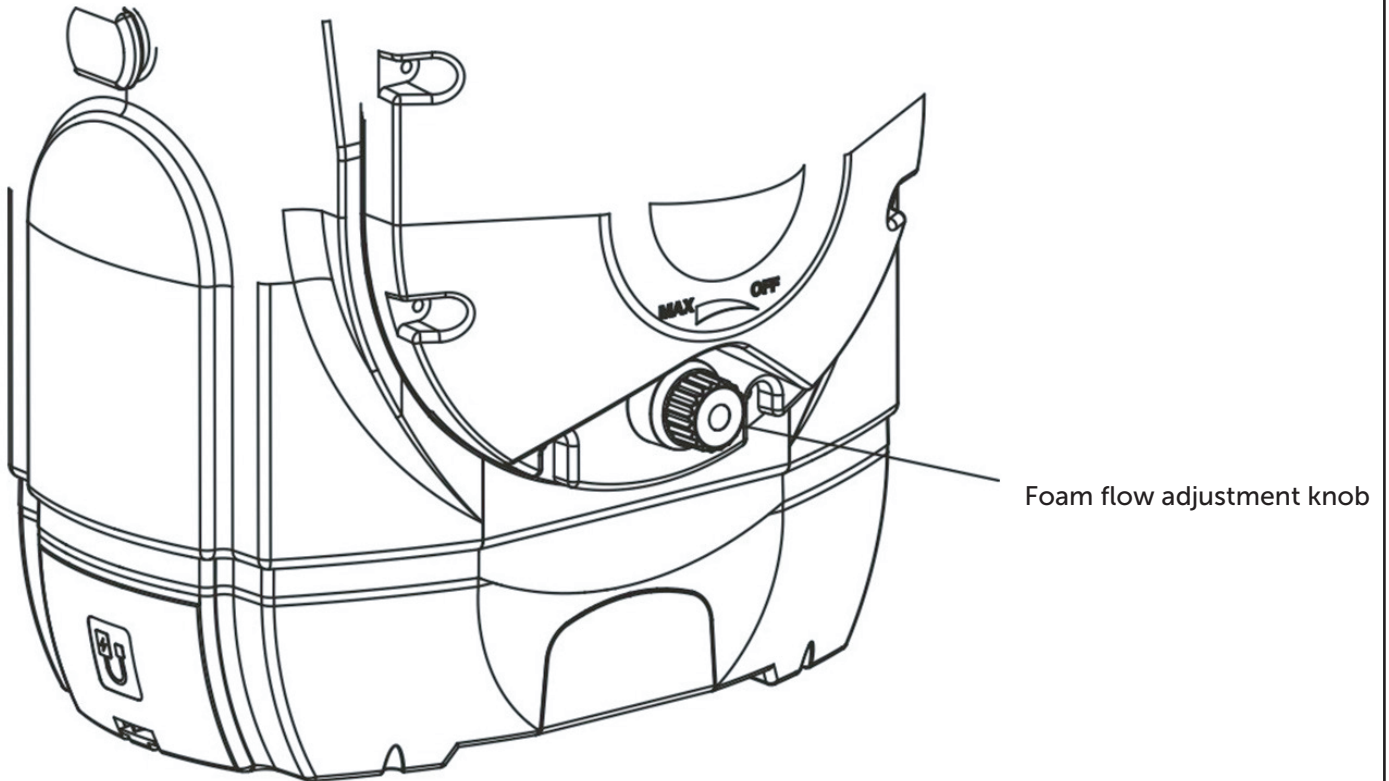
PURGE AIR FROM SYSTEM: To purge air, turn unit on (Diagram 2). Point nozzle into water tank and squeeze lever until steady stream of water exits hose (Diagram 3).

With normal use, air can get trapped in the hose. We recommend the following steps to purge the air out of our system and get the maximum amount of pressure out of your new car washer.

Detergent adjustment: Detergent adjustment knob clockwise twist all for off detergent state, at this time the machine only out of water; counterclockwise twist all for the ratio of detergent and water for 1 to 1 output. The ratio of detergent to water can be adjusted according to the use of the situation.

Portable Pressure Washer

7 HOW TO OPERATE : Instruction For Air Conditioner clean

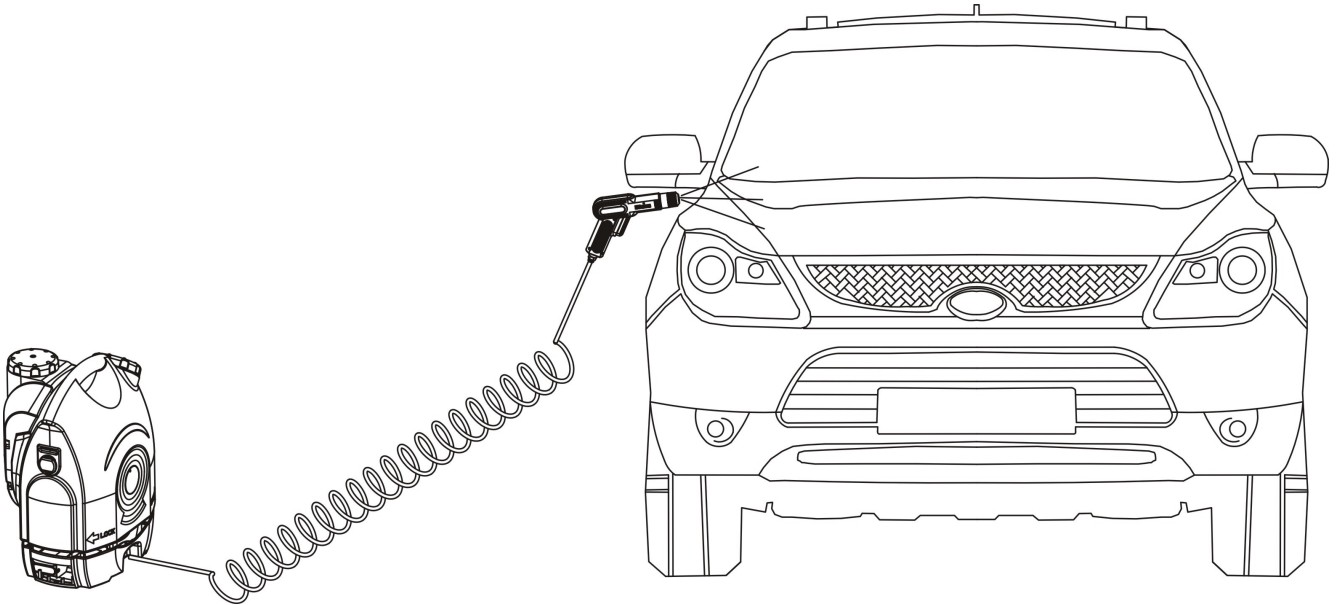


FOLLOW THESE STEPS AFTER EACH TIME YOU REFILL YOUR TANK:

1. Connect the power cord to the unit to check the battery is fully charged or not. Before using the unit, make sure the battery is full charged.
2. Fill the water and chemical tanks. Before priming the pump, make sure chemical valve is fully closed and remove any nozzle from the spray gun.
3. Connect the hose to the unit.
4. Turn on the spray gun firstly and then turn the power on and run for approximately 30 seconds or until a steady stream of water is present.
NOTE: If you are having trouble priming the pump, make sure the water tank is fully filled, place the unit on a table or support, hold the spray gun below the level of the pump and squeeze the trigger until a steady flow of water appears.
5. Fully open the Foam flow adjustment Knob(counter-clockwise)
6. Adjust foam flow adjustment knob to desire dilution ratio.
7. Turn off the spray gun and attached Universal telescopic tube(Air conditioning cleaning tube) to spray gun, and then turn on the spray gun.
8. Apply water/chemical solution evenly to coils.
9. Fully close the foam flow adjustment knob(clockwise)
10. If possible, let foaming coil cleaner solution sit for 5 minutes to penetrate into coils.
11. Rinse coils with clean water.
12. Flip Power Switch to OFF. Always relieve the pressure by pointing the spray gun in a safe direction and squeezing the spray gun trigger.

Portable Pressure Washer

7 HOW TO OPERATE: Instruction for Car washer



FOLLOW THESE STEPS AFTER EACH TIME YOU REFILL YOUR TANK:

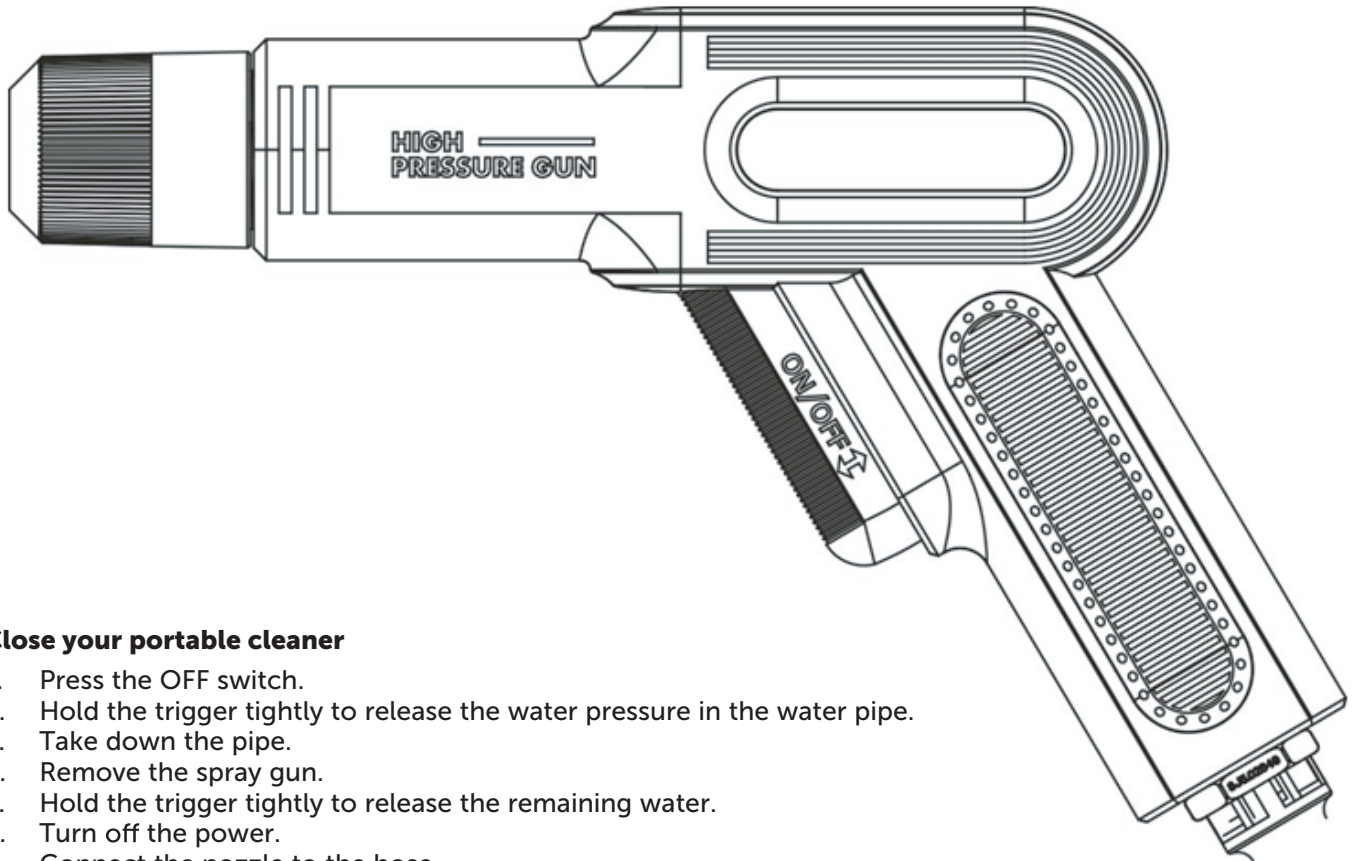
1. Fill the tank with water.
2. Connect the hose to the unit.
3. Connect the power cord to the unit.
4. Direct the hose. Without the nozzle attached, into the tank.
5. Turn the power on and run for approximately 30 seconds or until a steady stream of water is present.
6. Turn off the power.
7. Connect the nozzle to the hose.

NOTE: Please start the engine while using the device if you are not sure whether the capacity of the car battery is sufficient or not.

Portable Pressure Washer

8 AUTO-STOP FUNCTION

When the trigger is released, the water pressure will make the motor stop automatically; when the trigger is tightened, it will start the motor and form the water pressure later. To ensure correct operation, the trigger release interval is at least 5 to 10 seconds, and the trigger is self-locking, open with press one time, and closed with press again.



Close your portable cleaner

1. Press the OFF switch.
2. Hold the trigger tightly to release the water pressure in the water pipe.
3. Take down the pipe.
4. Remove the spray gun.
5. Hold the trigger tightly to release the remaining water.
6. Turn off the power.
7. Connect the nozzle to the hose.

9 GENERAL MAINTENANCE

WARNING: ALWAYS DISCONNECT THE PLUG FROM THE POWER SUPPLY BEFORE ANY MAINTENANCE IS STARTED.

Water Filter: Inspect the water filter before filling with water. Clean water filter if dirty.

Nozzle Clogged: A clogged nozzle will cause the operating pressure to be too high causing the portable washer to surge. If this happens turn unit off and unplug pressure washer:

- i. Unplug power supply, pull trigger on spray nozzle handle to relieve pressure, remove nozzle from hose.
- ii. Clean the spray nozzle with the nozzle cleaning tool.(See Diagrams 1&2 below).
- iii. Flush wand assembly backwards with water or compressed air.
- iv. If pressure is still too high, repeat steps 1-2.

Lubrication: No lubrication is required for this pump. Silicone grease may be added to hose connector o-rings if connecting becomes difficult.

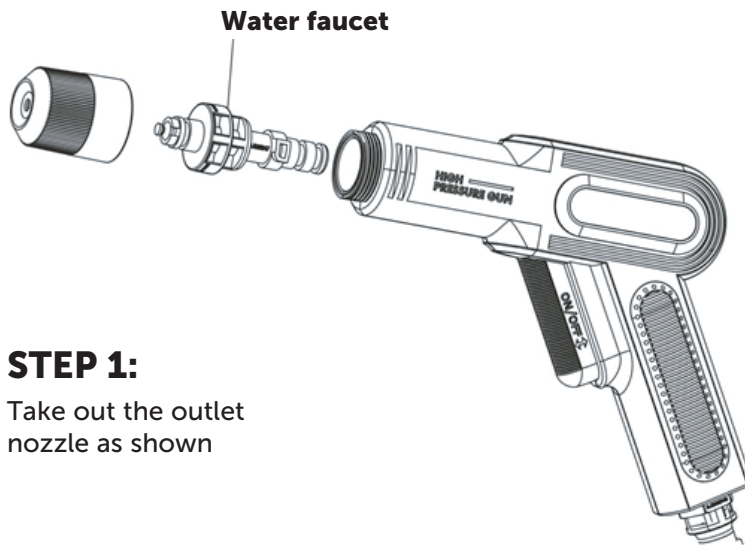
Add some silicone grease to the metal part of the spray nozzle after long time no use.

Portable Pressure Washer

9 GENERAL MAINTENANCE

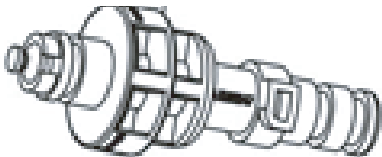
WARNING: HIGH PRESSURE HOSE, DAMAGED HIGH PRESSURE HOSES CAN BURST AND CAN CAUSE A POTENTIALLY HAZARDOUS SITUATION OR INJURY. HIGH PRESSURE HOSES SHOULD NOT BE KINKED, CRUSHED, TWISTED, OR DAMAGED IN ANY WAY. REPLACE THE HIGH PRESSURE HOSE SHOULD THIS OCCUR.

TO CLEAN SPRAY NOZZLE



STEP 1:

Take out the outlet nozzle as shown



STEP 2:

Clean the nozzle



REPLACE FUSE

Unscrew end of power cord adapter to remove old fuse. Discard and replace with new fuse.

Portable Pressure Washer

10 STORING OF PORTABLE CAR WASHER

This portable car washer should be stored in such a way to protect it from freezing. Do not store this unit outdoors or on an area where temperatures will fall below 32°F. This can cause extensive damage to this unit and void the warranty. Before storing, consider the following steps. Follow shutting down instructions.

DRAIN WATER FROM SYSTEM

1. Turn off portable cleaner, squeeze nozzle lever to release pressure. Remove nozzle and squeeze level and drain water from nozzle. Empty water from tank. Turn unit on and run for approximately 30 seconds without nozzle.
2. Detach high pressure hose. Elevate one end and allow water to drain from hose.
3. Place hose, nozzle and power cord in mesh storage compartments.
4. If unit must be stored under freezing condition, or will be stored for more the 30 days, a pump winterizer/ protector or a non-toxic RV anti-freeze can be used to prevent freezing and reduce mineral deposits

ADD ANTI-FREEZE AS FOLLOWS:

1. Pour approximately 1/2 gallon of RV anti-freeze into tank.
2. Connect high pressure hose, nozzle, and power cord.
3. Turn unit on, squeeze lever until a steady stream of RV anti-freeze in present.
4. Turn unit off. Squeeze nozzle lever to release pressure.
5. Remove and place hose, nozzle and power cord in mesh storage compartments

USING PRESSURE WASHER AFTER STORING WITH ANTI-FREEZE:

1. Drain RV anti-freeze. (follow steps 1 and 2 from Drain water from system)
2. Run 1 tank of fresh water through system before using and ensure all anti-freeze is purged from system.

WARNING: USE ONLY RV ANTIFREEZE. ANY OTHER AHTI-FREEZE IS CORROSIVE AND CAN DAMAGE PUMP AND VOID WARRANTY.

Portable Pressure Washer

11 TROUBLE SHOOTING THE PORTABLE WASHER

Problems	Correction
The pump will not start.	Check the battery pack is firmly attached to the battery compartment. Check the battery pack is out of power or in low battery.
The pump is running, but there is no water.	Sometimes there is air inside the hose & pump, it needs to run the device for a few seconds to bleed air out of hose & pump. Or check the followings, <ul style="list-style-type: none"> • Check the nozzle is not clogged. • Check the hose is firmly attached to the main device. • Check the hose is firmly attached to the spraygun. • Check the hose is not bent or broken
The water pressure is weak.	<ul style="list-style-type: none"> • Check the o-ring is missing on each connector. • Check the hose is firmly attached to main device and spraygun. • Check the battery level. • Pump is faulty, contact authorized agent

Item Name	Portable Pressure Washer
Water pressure	100 PSI
Voltage	12V(DC)
Power	36W
Hose	16.4 ft.
Charger Cable	10 ft.
Capacity	4 gallons
Weight	8.8 lbs.
Dimension	14" x 11.4" x 17.9"

DISPOSAL

Electrical and electronic devices must never be disposed of in a regular household waste!



Consumers are legally obligated and responsible for the proper disposal of electronic and electrical devices by returning them to collecting sites designated for the recycling of electrical and electronic equipment waste. For more information concerning disposal sites, please contact your local authority or waste management company.