



www.globalindustrial.com

US: 888-628-3466

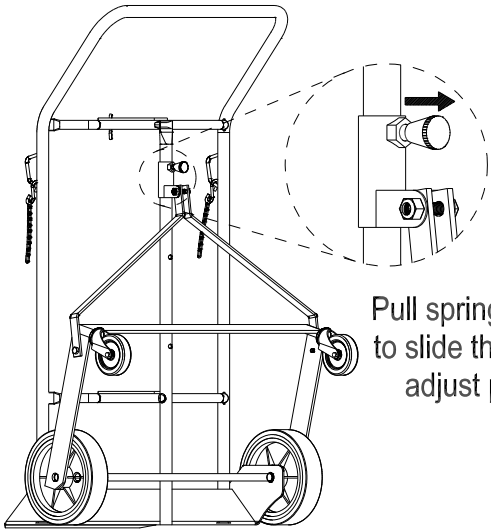
Canada: 888-645-2986

Mexico: 01.800.681.6940

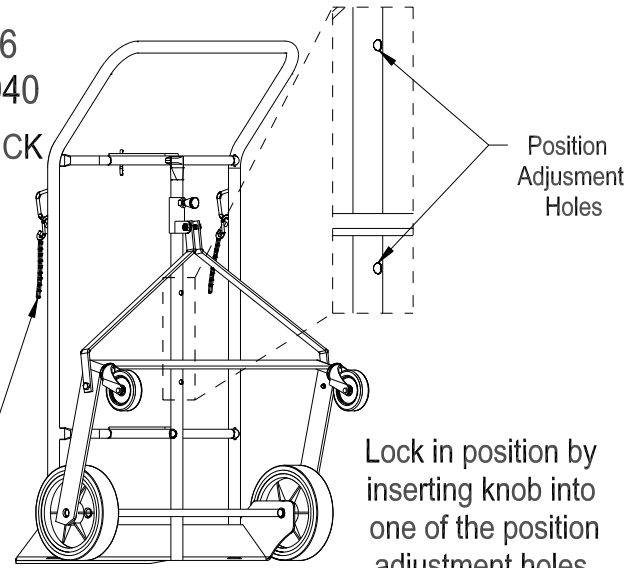
### TWIN CYLINDER HAND TRUCK

Model #: 989001

User's Manual



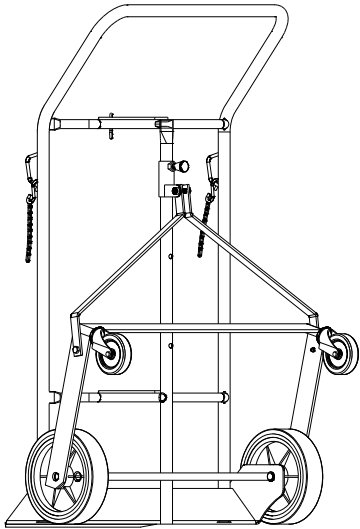
Pull spring loaded knob to slide the sleeve and adjust positioning.



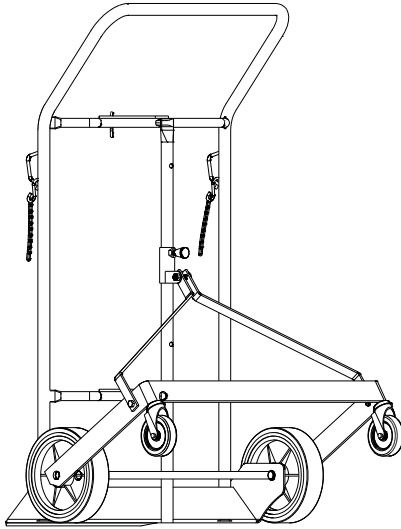
Safety Chain

Position Adjustment Holes

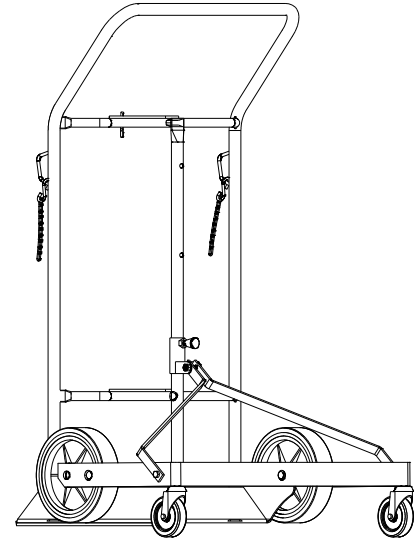
Lock in position by inserting knob into one of the position adjustment holes.



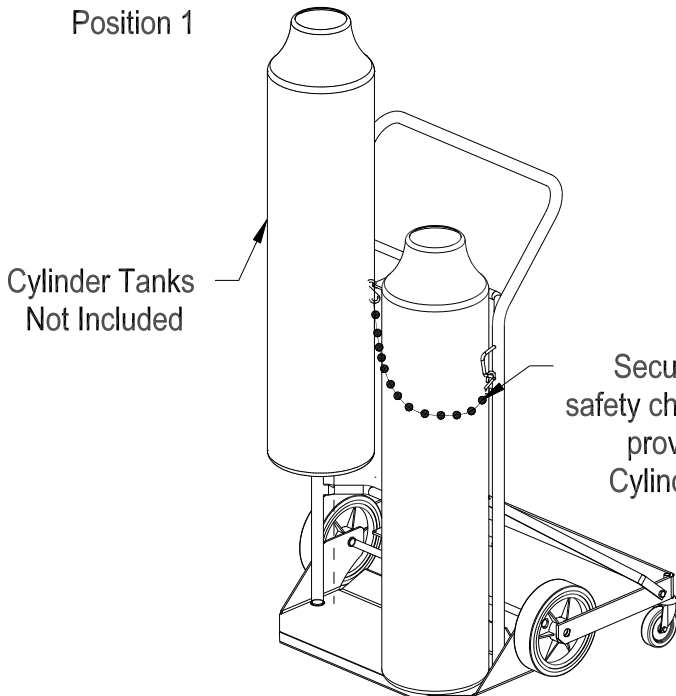
Position 1



Position 2



Position 3



Cylinder Tanks Not Included

Secure tanks using safety chains and S-Hooks provided with the Cylinder Hand Truck

