



GLOBAL INDUSTRIAL™

We can supply that.®

User's manual

Manual del usuario

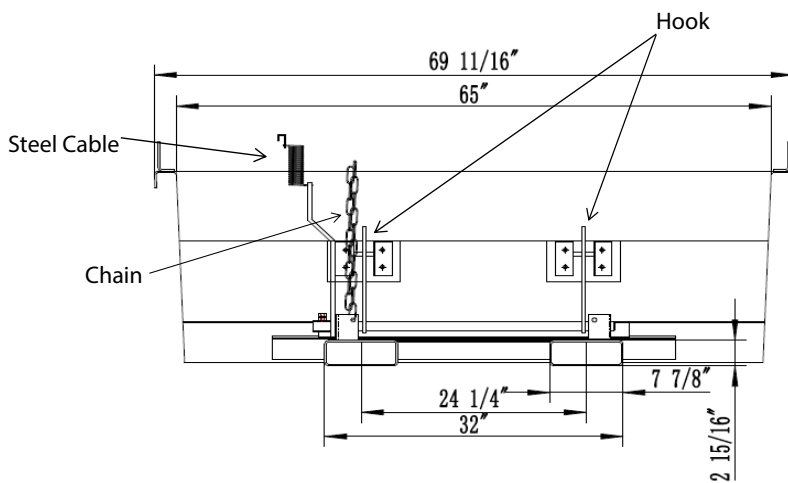
Manuel de l'utilisateur

Customer Service
US: 1-800-645-2986

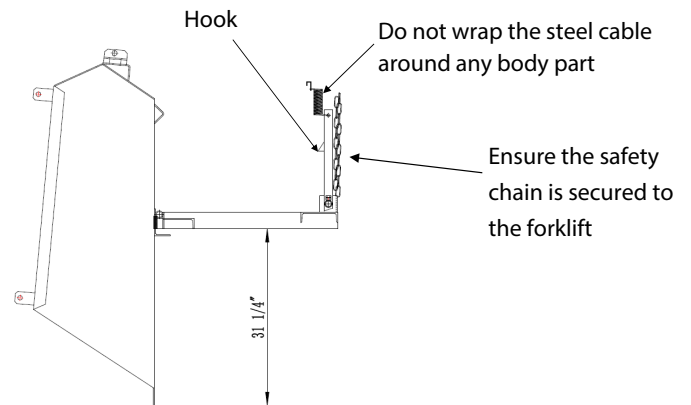
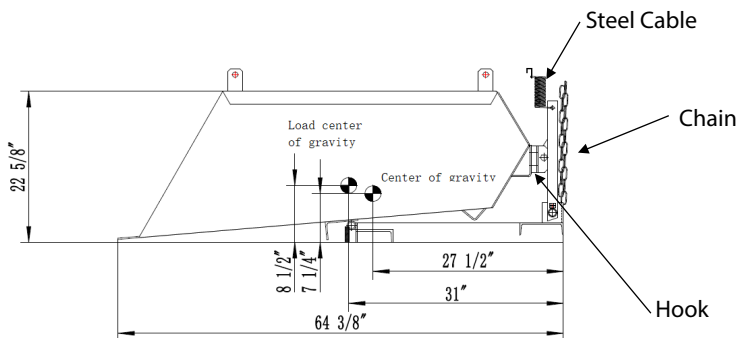
Servicio de atención al Cliente
US: 1-800-645-2986

Service à la clientèle
Canada: 888-645-2986

Forklift Mount Front End Loader 1-1/3 Cu.Yd. , 4,000lb Cap. Model: 989064



Specifications	
Width	69 - 11/16"
Depth	64 - 3/8"
Height	22 - 5/8"
Capacity	1.3 Cubic Yards
Color	Blue
Construction	Steel
Fork Opening	7 - 7/8" W x 2 - 15/16" H
Weight	505 lbs



INSTRUCTIONS

1. Insert forks into front end loader.
2. Attach safety chain to forklift, secure with chain link
3. Position steel cable so that it can be pulled from forklift operating seat.
4. To dump loader, pull on steel cable.
5. To return dump loader into position, lower forklift to ground until loader locks into place.

⚠ CAUTION:

- Do not exceed capacity of 4000lbs.
- Do not wrap the steel cable around any body part.
- Keep distance from the forklift and hopper when loading and unloading.

⚠ NOTE:

- Do not use the hopper if damaged or if any unusual motion is detected or malfunctioning.
- Before use, make sure the safety chain is fully secured to the forklift.
- Before use, make sure all hooks are in place and in good working condition.
- Suitable for moving snow, salt, dirt, scrap metal and refuse.
- 1 year Warranty