

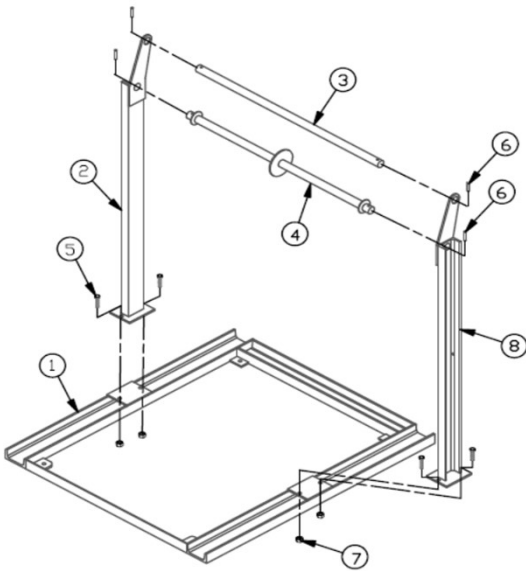


Fork Extension Storage Rack

Model 989050



Item	Description	Qty
1	Weldment, base	1
2	Weldment, upright, right side	1
3	Bar stiffener, round	1
4	Weldment, lower bar stiffener	1
5	3/8in. – 16 x 1in. HHCS #2 zinc-plated bolt	4
6	3/16in. x 11/2in. zinc-plated cotter pin	4
7	3/8in. nylock nut	4
8	Weldment, upright, left side	1



Assembly:

- Put the base (1) on the ground with supports to make sure that there is a gap between base and ground for nuts assembly
- Assemble the left upright (2) at the left side of base with screw (5) and nylock nut (7), fix them tightly.
(Can assemble the right upright (8) first too)
- Put the bar stiffener (4) to the second hole of left upright (2) with a cotter pin in the end hole of bar.
- Assemble the right upright (8) at another end of bar stiffener (4) with a cotter pin in the end hole of bar.
- Assemble the right upright (8) at the right side of base with screw (5) and nylock nut (7), fix them tightly.
- Put the bar stiffener (3) through the top holes of left/right uprights with cotter pins at end holes.
- Fix the rack on the ground with anchor bolts before use