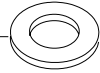

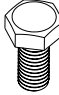
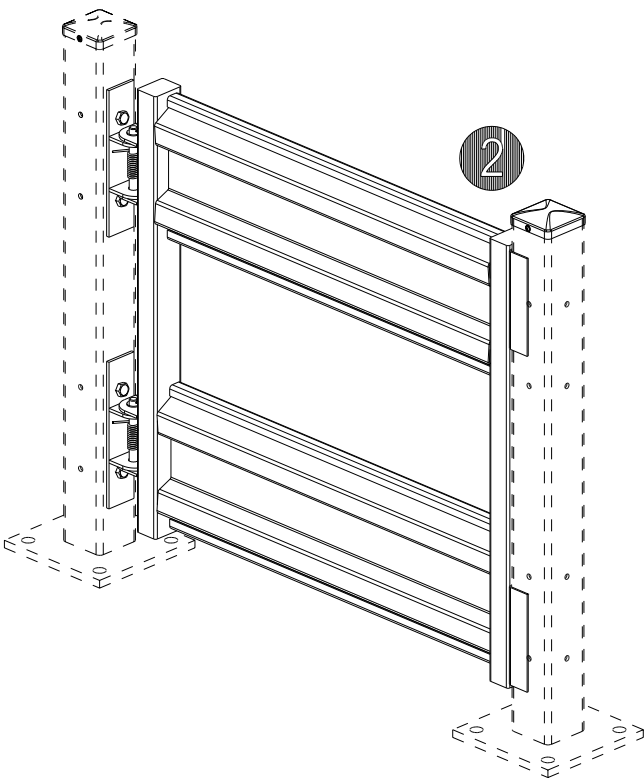
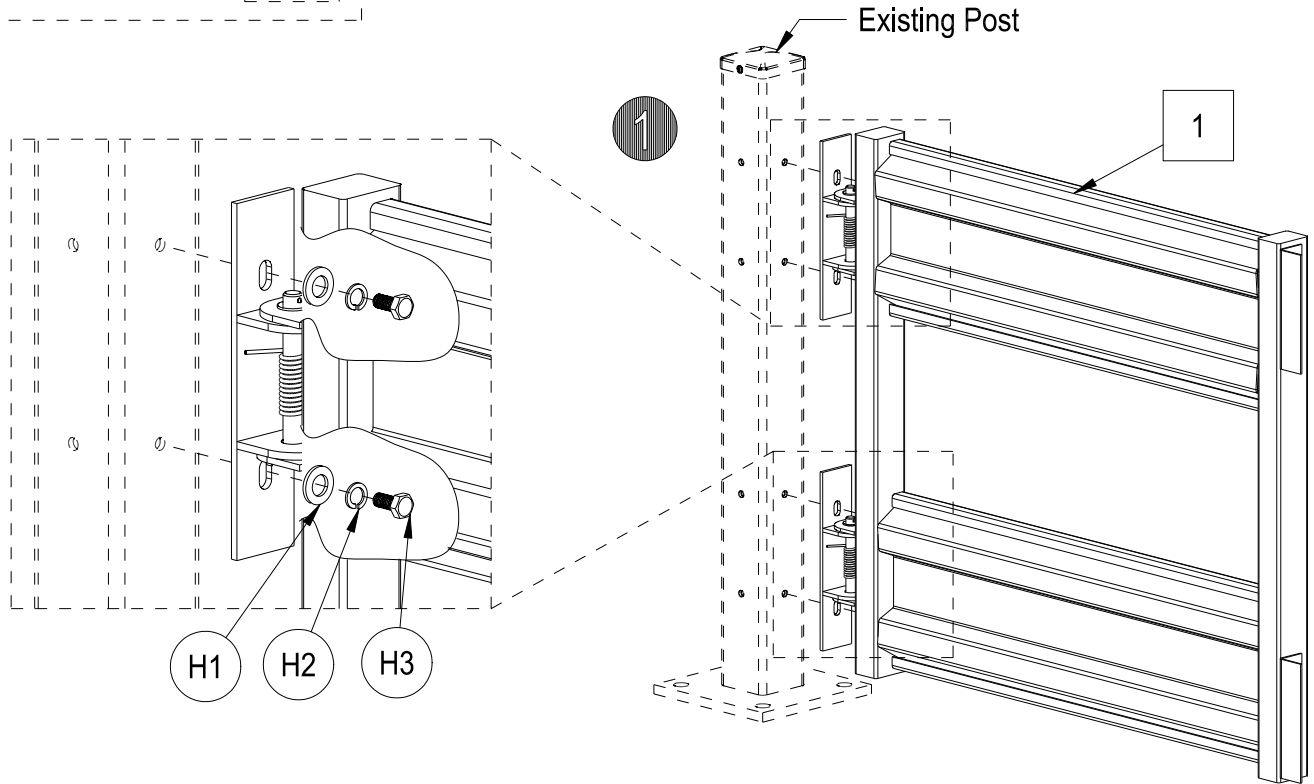
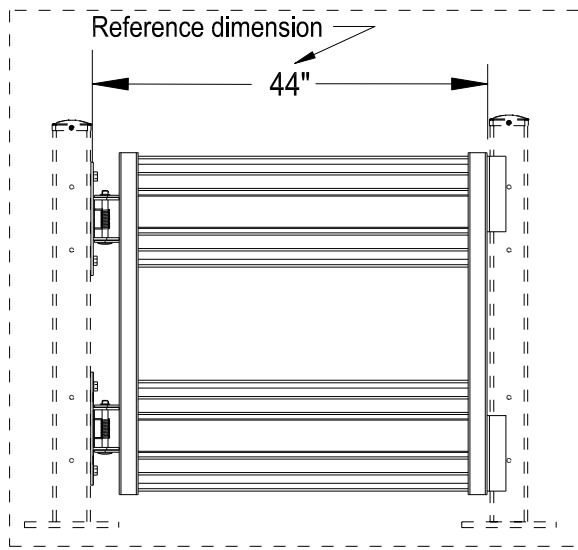




www.globalindustrial.com  
 US: 888-628-3466  
 Canada: 888-645-2986  
 Mexico: 01.800.681.6940

## Self Closing Guard Rail Installation Guide Model 708372

Contents		
Ref.	Qty.	Description
1	1	Guard Rail
H1	4	Plain Washer 
H2	4	Lock Washer 
H3	4	M12 x 1.75 x 24mm Lg. Hex Bolt 



### ▲ WARNING ▲

- Do not climb on, under or through guard rail
- Assembly and installation of equipment should be performed by 2 people.
- Do not use if any parts of guard rail are broken or damaged.
- Inspect and tighten hardware every six months.
- Replace rusted hardware and damaged components.

The warnings, precautions, and instructions discussed cannot cover all possible conditions and situations that may occur. Failure to heed these warnings may result in property damage, personal injury, and/or death.