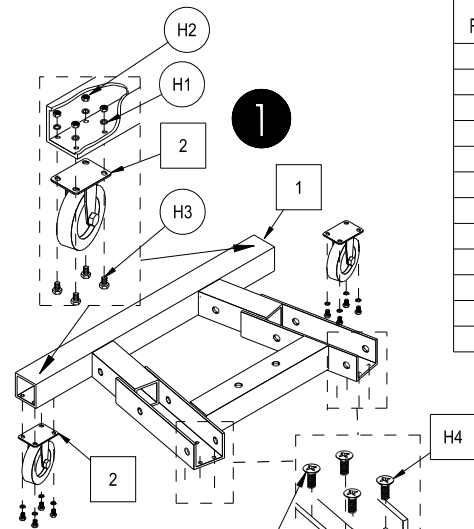
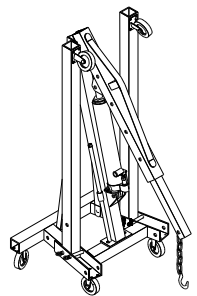
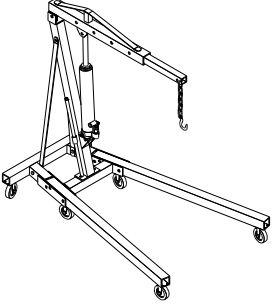


**FOLDING HYDRAULIC
SHOP CRANE**

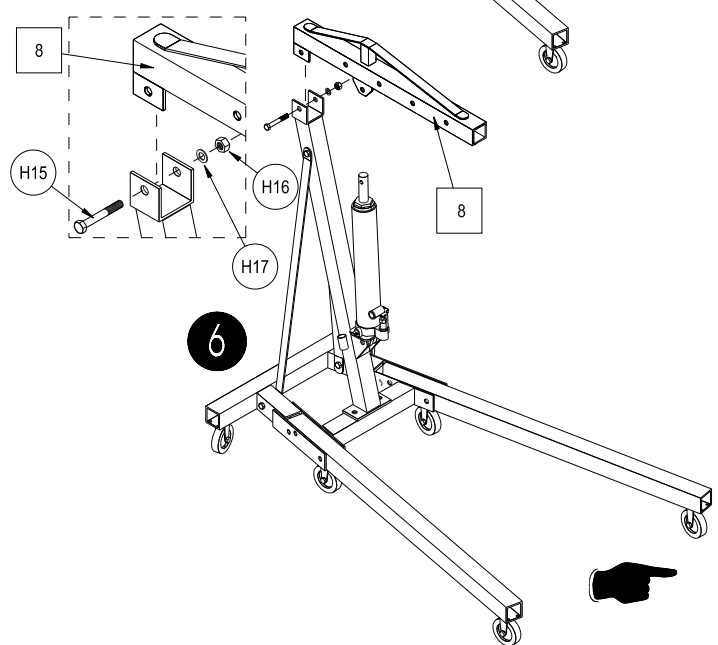
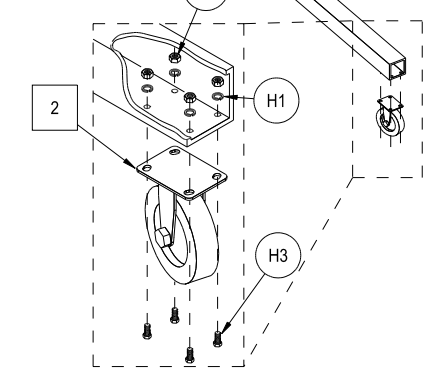
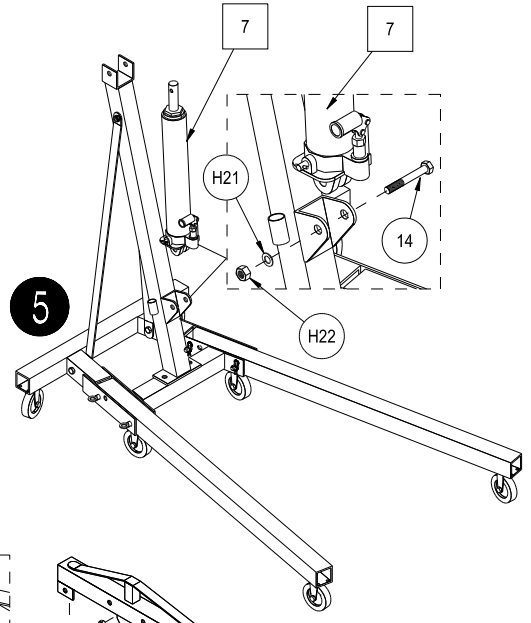
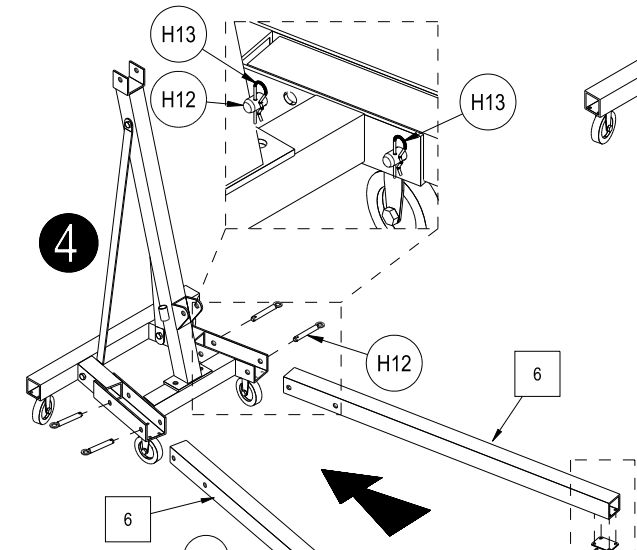
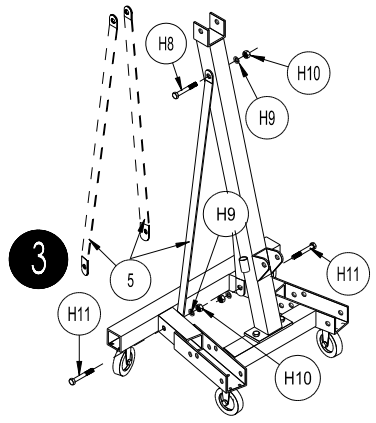
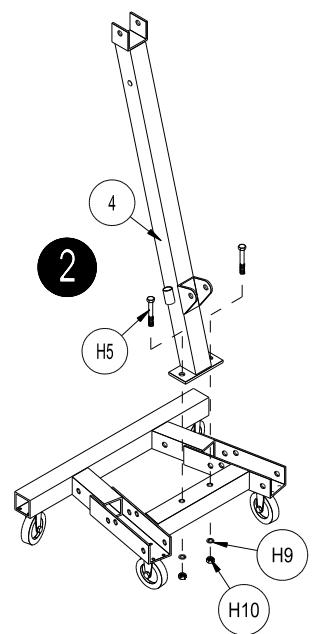
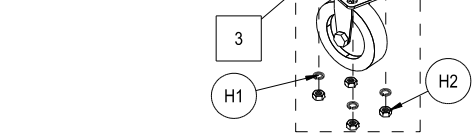
ASSEMBLY INSTRUCTION

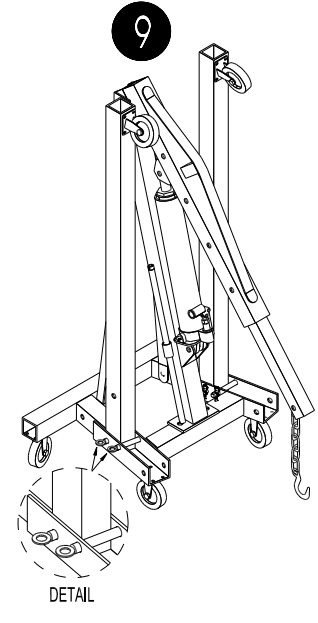
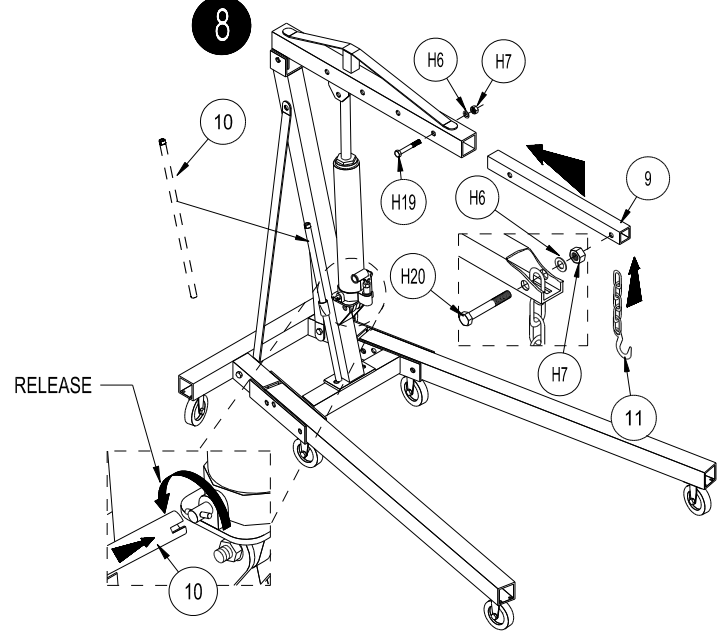
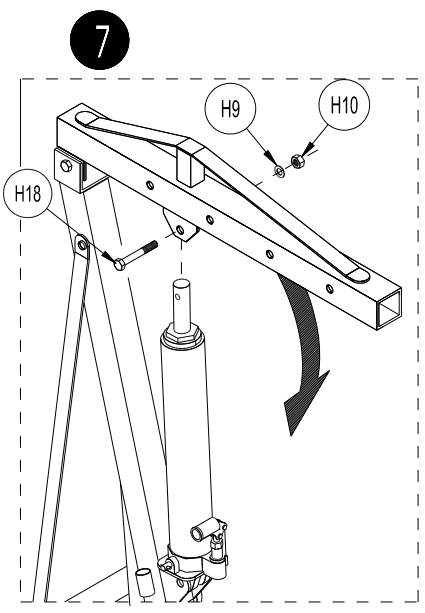
CONTENTS

REF.	QTY.	DESCRIPTION	REF.	QTY.	REF.	QTY.
1	1	BASE	H1	24	H11	2
2	4	LARGE CASTER	H2	24	H12	4
3	2	SMALL CASTER	H3	16	H13	4
4	1	POST	H4	8	H14	1
5	2	SUPPORT	H5	2	H15	1
6	2	LEG	H6	1	H16	1
7	1	JACK	H7	1	H17	1
8	1	BOOM	H8	1	H18	1
9	1	EXTENSION	H9	3	H19	1
10	1	JACK HANDLE	H10	3	H20	1
11	1	CHAIN / HOOK			H21	2
					H22	2



M8x1.25 x 14mm Lg. phillips countersink screw





- | | | | | | | | | |
|-----------------|-----------------|------------------|------------------|------------------|------------------------|------------------------|------------------|-----|
| H1 | H2 | H3 | H4 | H13 | H12 | | | |
| | | | | | | | | |
| H6 | H9 | H9 | H9 | H9 | H9 | H21 | H21 | H17 |
| | | | | | | | | |
| H7 | H10 | H10 | H10 | H10 | H10 | H22 | H22 | H16 |
| | | | | | | | | |
| H20 | H19 | H5 | H11 | H8 | H14 | H18 | H15 | |
| BOLT (M14 * 80) | BOLT (M16 x 90) | BOLT (M16 x 100) | BOLT (M16 x 100) | BOLT (M16 x 100) | BOLT (M16 x 90 , 12.9) | BOLT (M16 x 90 , 12.9) | BOLT (M18 x 120) | |
| | | | | | | | | |