

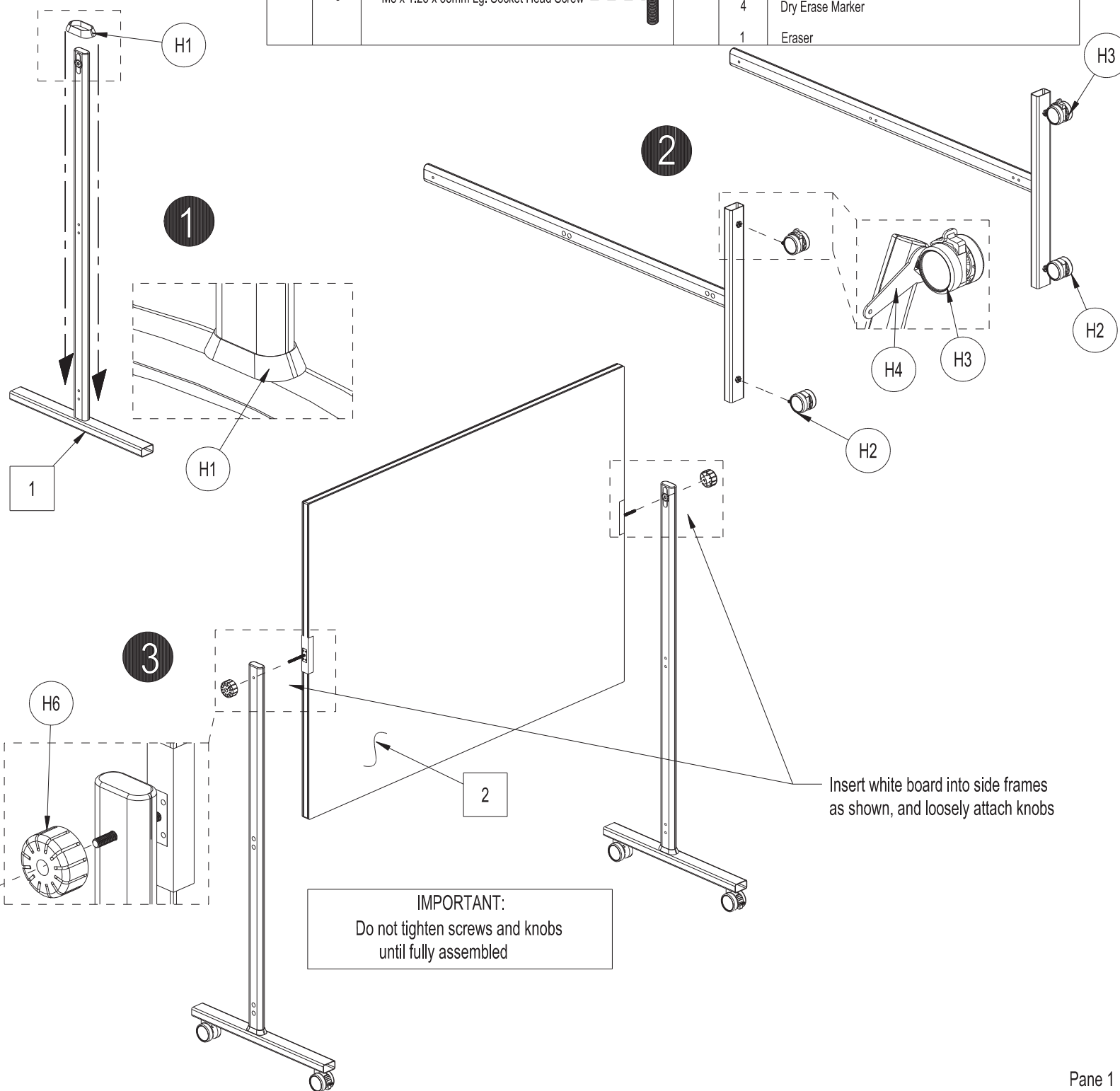
# Mobile White Board

Model B379150 / B859967 / B859968 / B444996

B444997 / B444999 / B1854285

## Assembly Instruction

Contents					
Ref.	Qty.	Description	Ref.	Qty.	Description
1	2	Side Frame	H6	2	Knob
2	1	White Board	H7	5	#4 Self Tapping Phillips Wood Screw
3	2	Connector Bar	H8	8	End Cap
4	1	Tray	H9	6	Joint Cover
H1	6	Joint Cover	H10	1	6mm Hex Key
H2	2	Swivel Caster	H11	8	Plain Washer
H3	2	Swivel Caster with Brake		1	4 Hex Key with Phillips Head
H4	1	Wrench		2	Magnet
H5	8	M8 x 1.25 x 35mm Lg. Socket Head Screw		4	Dry Erase Marker
				1	Eraser



**IMPORTANT:**  
Do not tighten screws and knobs until fully assembled

Insert white board into side frames as shown, and loosely attach knobs

