

interion®

by globalindustrial.com

User's manual

Manual del usuario

Manuel de l'utilisateur

Customer Service
US: 1-800-645-2986

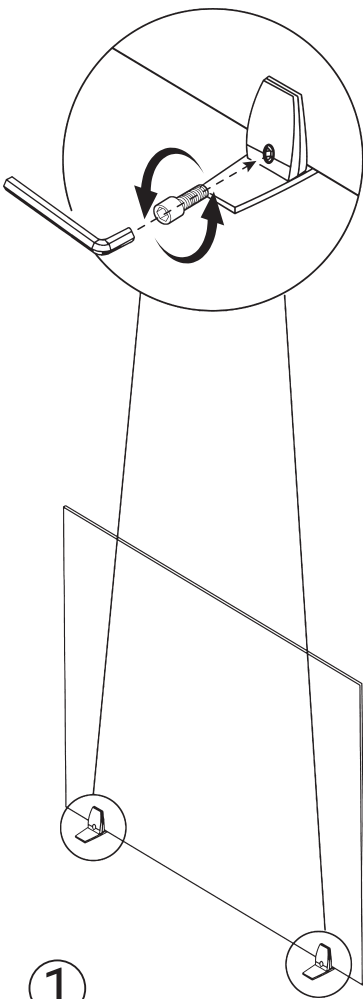
Servicio de atención al Cliente
US: 1-800-645-2986

Service à la clientèle
Canada: 888-645-2986

Freestanding Clear Desk Divider

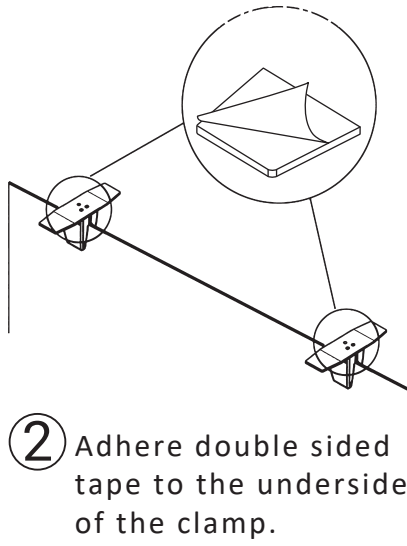
Model no. 695843, 695844, 695845, 695851

INSTALLATION INSTRUCTION



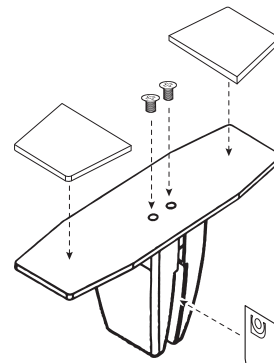
1

Use the hex key to tighten the screws.

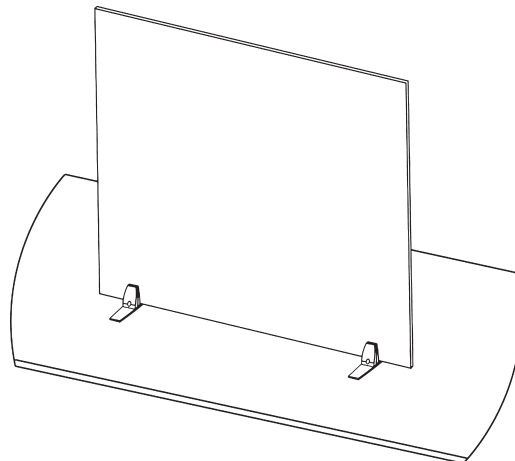


2

Adhere double sided tape to the underside of the clamp.



Put the plastic sheet in the middle of the clamp.



3

Position divider on desktop.

Part List
Tools Needed:



M5 x 7mm



M6 x 16mm

