



www.globalindustrial.com

US: 888-628-3466

Canada: 888-645-2986

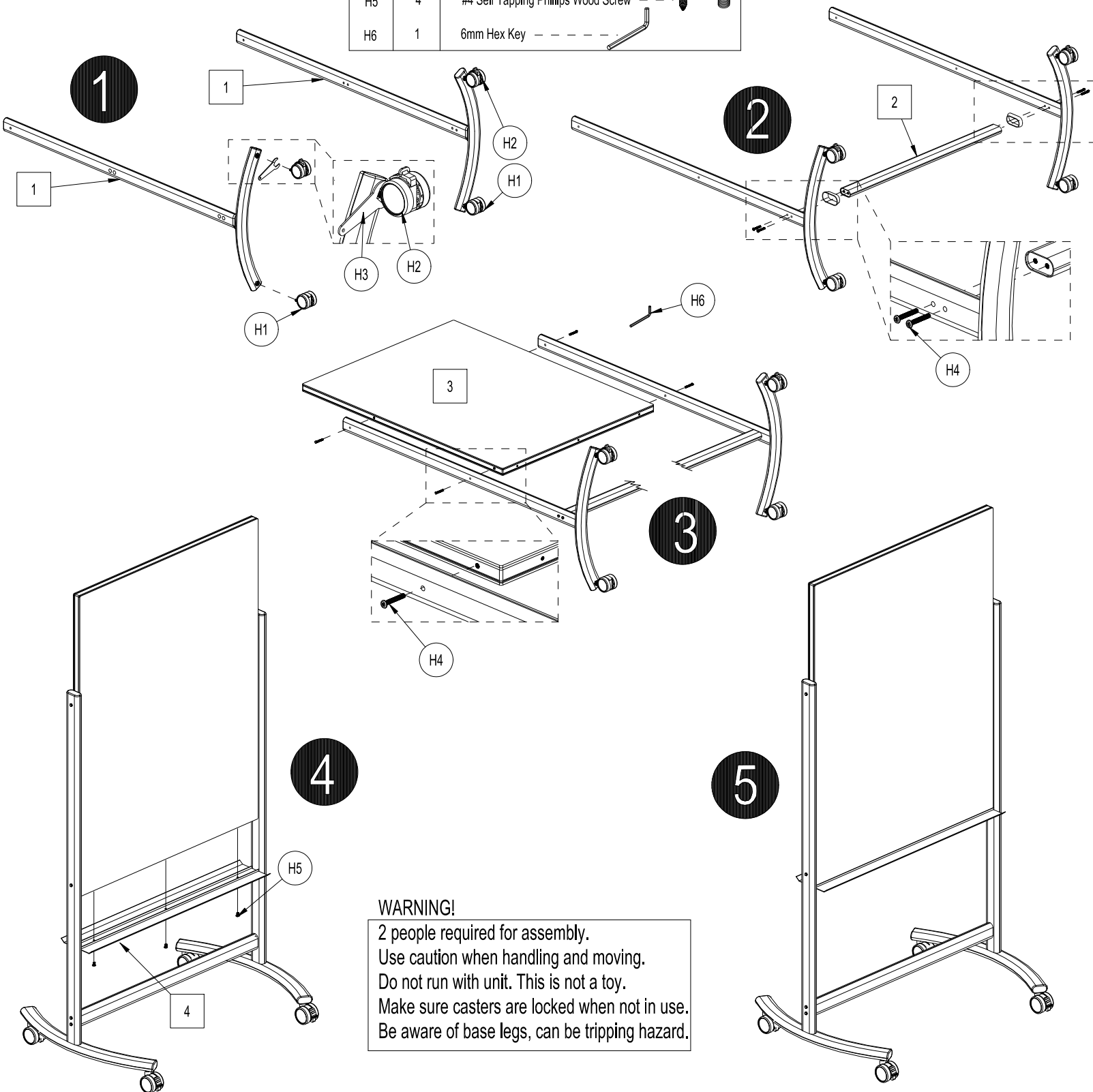
Mexico: 01.800.681.6940

# Mobile Glass Board

## Assembly Instruction

Model 695638 (36" x 48") / 695691 (48" x 36") /  
695692 (60" x 48") / 695693 (72" x 48")

Contents		
Ref.	Qty.	Description
1	2	Side Frame
2	2	Connector Bar
3	1	Glass Board
4	1	Tray
H1	2	Swivel Caster
H2	2	Swivel Caster with Brake
H3	1	Wrench
H4	8	M8 x 1.25 x 35mm Lg. Socket Head Screw
H5	4	#4 Self Tapping Phillips Wood Screw
H6	1	6mm Hex Key



**WARNING!**  
 2 people required for assembly.  
 Use caution when handling and moving.  
 Do not run with unit. This is not a toy.  
 Make sure casters are locked when not in use.  
 Be aware of base legs, can be tripping hazard.