



www.globalindustrial.com

US: 888-628-3466

Canada: 888-645-2986

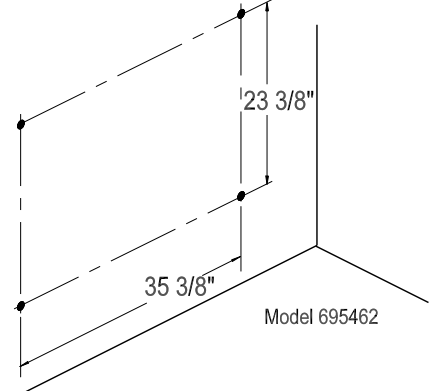
Mexico: 01.800.681.6940

Melamine Dry Erase Whiteboard - Double Sided

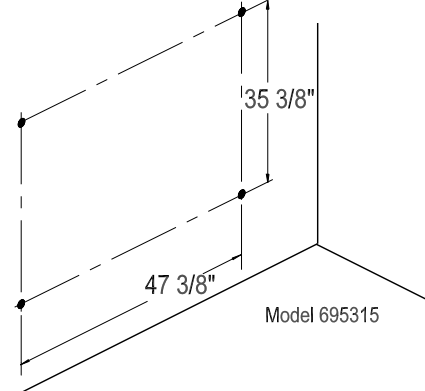
Model #: 695462 - 36 x 24 Model #: 695316 - 72 x 48

Model #: 695315 - 48 x 36 Model #: 695317 - 96 x 48

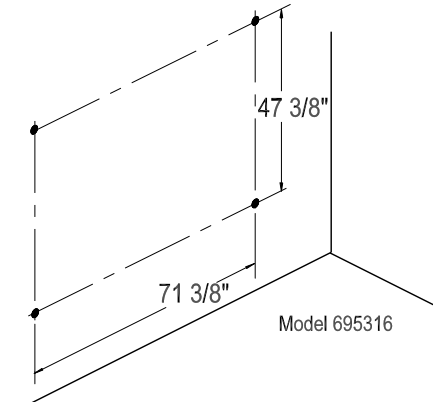
Assembly Instructions



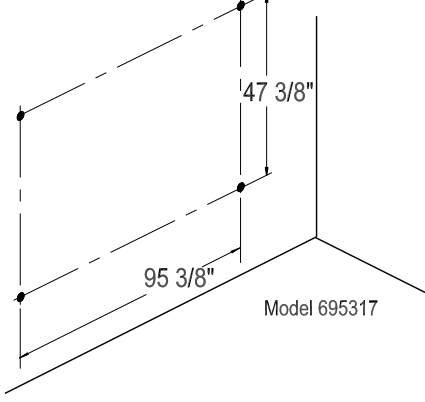
Model 695462





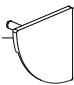
Model 695315



Model 695316



Model 695317

CONTENTS		
REF.	QTY.	DESCRIPTION
1	1	DRY ERASE BOARD
H1	4	Plastic Anchor 
H2	4	#7 Phillips Pan Head Screw 1 1/2" lg. 
H3	4	Rubber Screw Cover 

Determine the mounting location on the wall and mark hole locations using the assigned dimensions.

NOTE:

- . Use appropriate hardware when mounting to concrete.
- . Use 2 people to install.

