

User's manual

Manual del usuario

Manuel de l'utilisateur

Customer Service
US: 1-800-645-2986

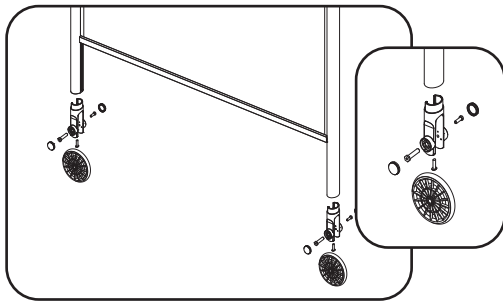
Servicio de atención al Cliente
US: 1-800-645-2986

Service à la clientèle
Canada: 888-645-2986

Rolling Privacy Screen for Partition Panel, 38"W x 64"H (with +4" Extension) , Frosted

Model: 695940

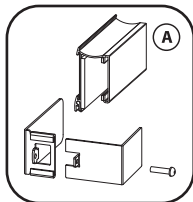
ASSEMBLY INSTRUCTIONS



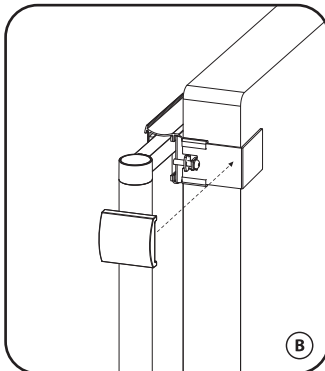
1 FOR OPTIONAL PRIVACY SCREEN HEIGHT ADJUSTMENT

For cubicle panel systems with height of 60" and no raceway, use as is without leg extensions. For cubicle panel systems with height of 60" with raceway and up, add 4" extension. Use a flat head screwdriver to remove front and back wheel housing caps. Remove wheels and wheel housings. Insert extension connectors into screen leg uprights. Press extension into leg upright. Reassemble the wheel housings, wheel and wheel housing cap.

Cubicle Wall Height:	60" without raceway	60" with raceway and up
Leg Extension Length:	N/A	4" Extension



Note: orientation of Upper Bracket depends on screen extending left to right or right to left (left to right extension shown).

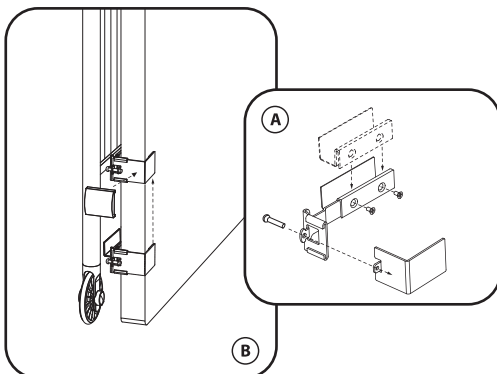


2 ASSEMBLE NAMEPLATE BRACKET AND MOUNT TO CUBICLE WALL

(A) Slide upper bracket into inner slot of nameplate bracket. **For cubicle panels 1.25" to 2.25" thick:** insert M4*16 Screw through hole of Upper Bracket into Inner Hanger Bracket - **Small**. Do not tighten fully. **For cubicle panels 2.25" to 3.25" thick:** insert # M4*16 Screw through hole of Upper Bracket into Inner Hanger Bracket - **Large**. Do not tighten fully.

(B) With screen against cubicle wall, slide nameplate bracket onto cubicle wall and over the top of the privacy screen. Leave a small space between bracket and top of screen. Tighten screw firmly. Snap bracket cover into place.

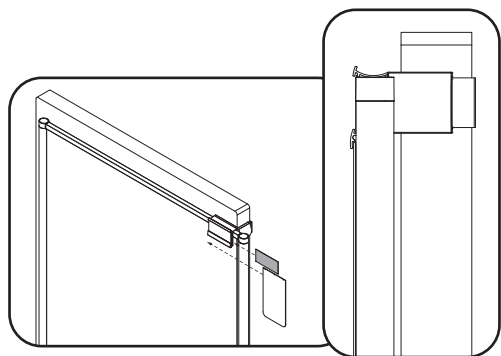
3 ASSEMBLE LOWER GUIDE AND MOUNT TO CUBICLE WALL



(A) Slide Lower Guide/Stop over Lower Hanger Bracket and insert (2) 10-32 x 1/4" Flat screws through lower guide/stop into hanger bracket. Tighten firmly. **Note:** lower guide/stop can be adjusted to align stop position of privacy screen with cubicle wall. Follow steps in 3A to attach the correct size Inner Hanger Bracket to the Lower Hanger Bracket and apply hanger pads as indicated. **(B)** Slide hanger bracket onto panel and position lower guide/stop so it engages the screen but does not support it. Tighten the hanger bracket screw firmly. Snap bracket cover into place.

Product Description

4 INSERT DRY ERASE BOARD AND PRINTED NAME



Slide dry erase board into bottom slot of nameplate. Print name/title on 7" W x 1.75" H sheet. Remove lens from nameplate. Insert printed name into nameplate and replace lens.

PARTS & QUANTITY

Tool Required

Phillips
Screw Driver

Parts

Premium Workstation Privacy Screen Installation Instructions

