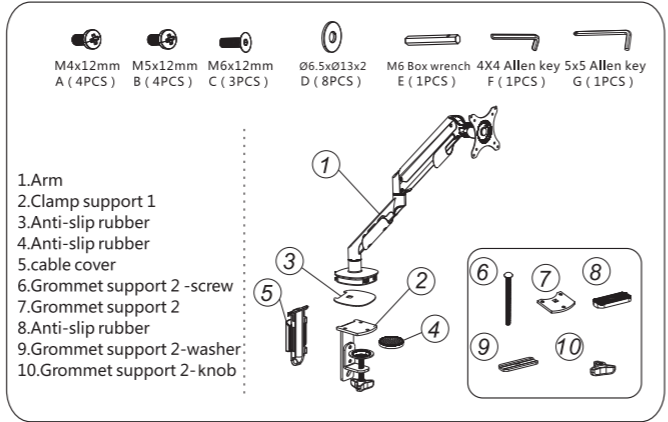
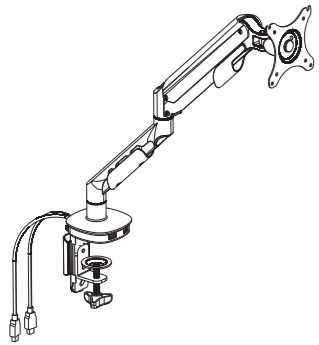


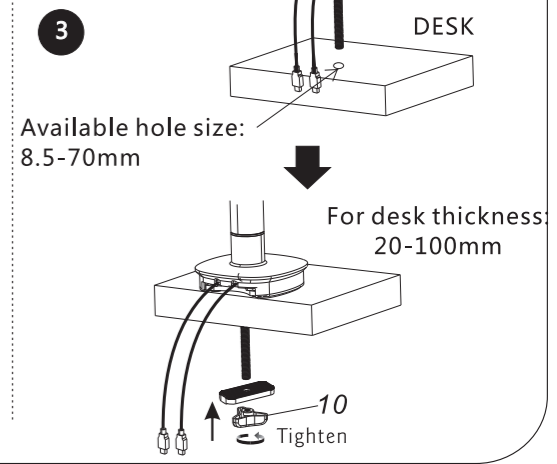
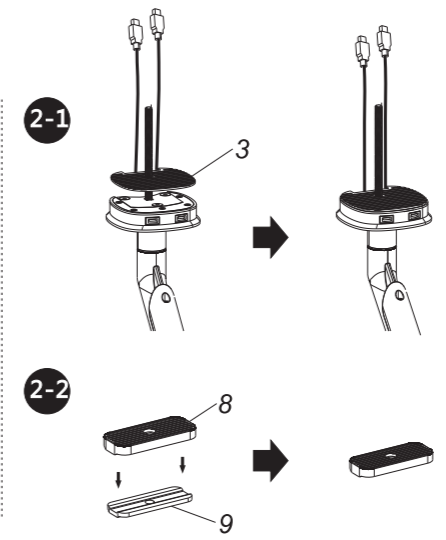
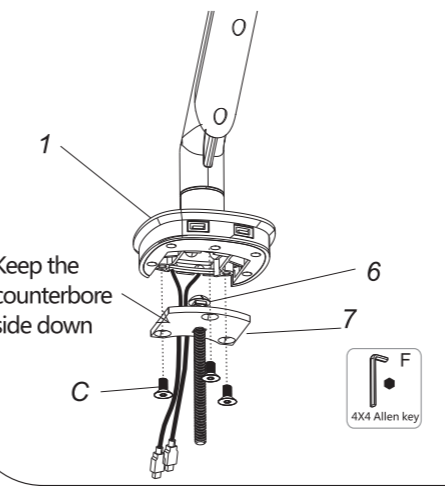
**Model Number:  
670192**

Installation guide  
Guide d'installation  
Installationsanleitung  
Guia de instalación  
Guia de Instalação  
دليل التركيب  
Guida d'installazione  
組み立ての説明  
Инструкция по установке  
安装说明



**STEP2-B**

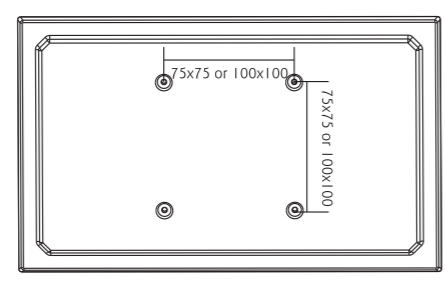
Option 2: Grommet



**STEP1**

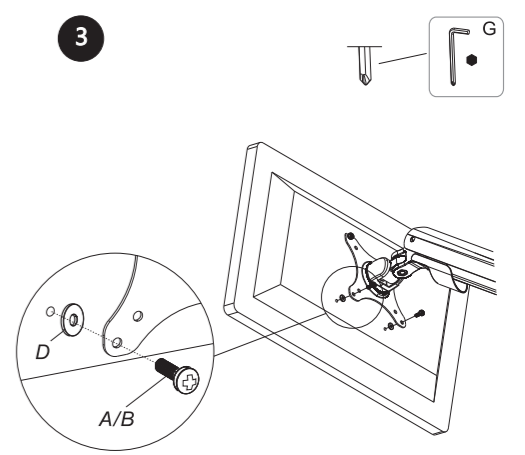
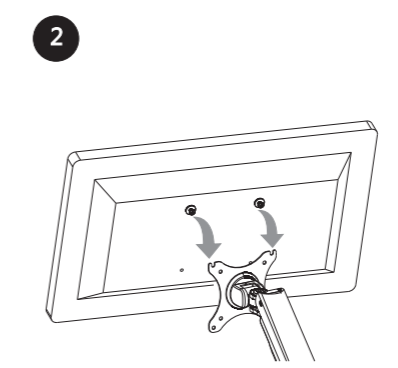
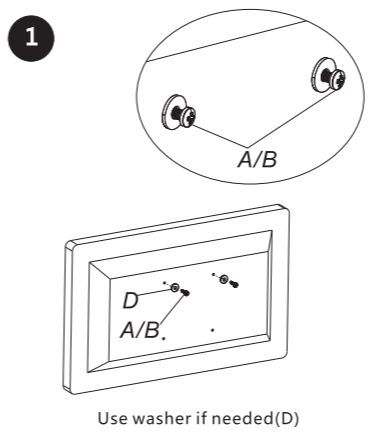
Preparation

Make sure there are VESA mounting holes on the back of the monitor.  
This arm is only compatible with monitors that have these holes.



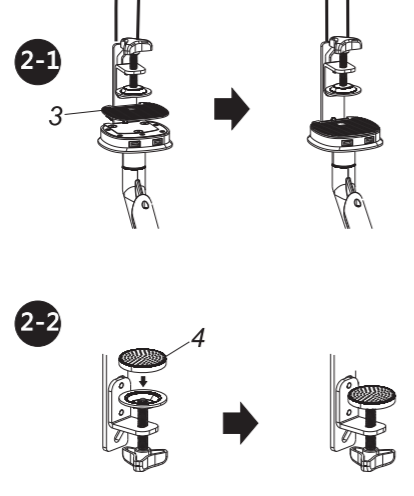
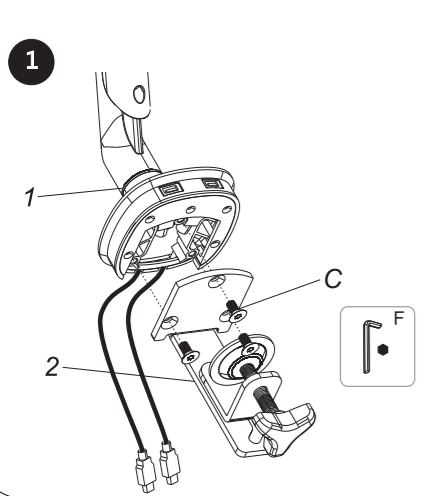
**STEP3**

Mounting the monitor

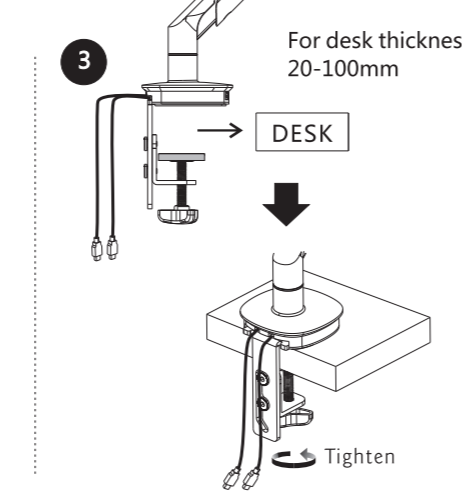


**STEP2-A**

Option 1: Clamp



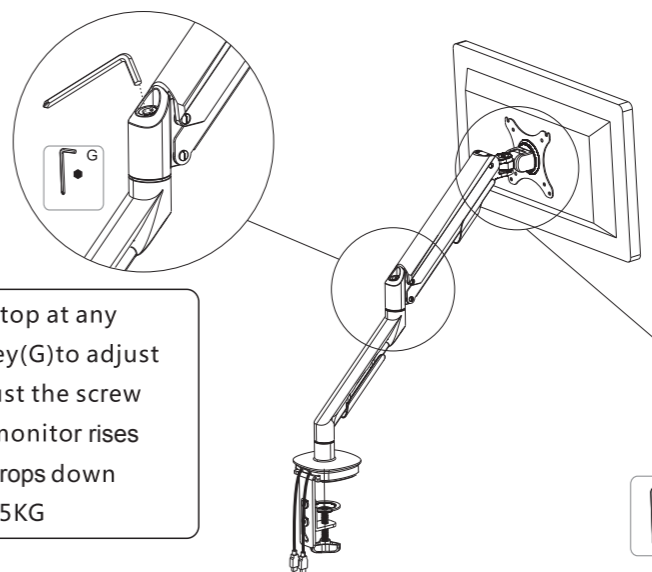
select proper position according to thickness of desk  
Quick sliding adjustment



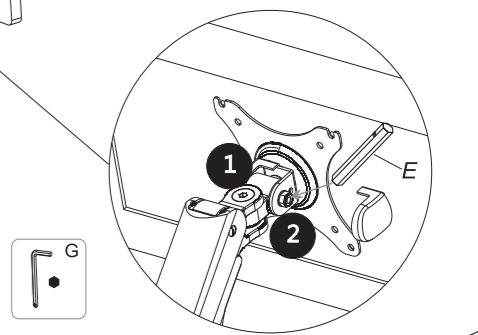
**STEP4**

Adjusting the monitor

▲ If the monitor cannot stop at any height, use the 5x5 allen key (G) to adjust the screw on the arm. Adjust the screw in "-" direction when the monitor rises and "+" direction when it drops down  
Factory setting: 4-5KG

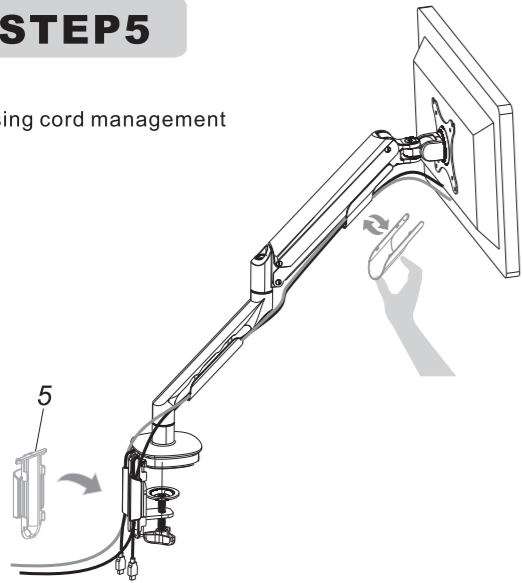


**CAUTION**  
To adjust the swivel function use 5x5 allen key (G) on position 1.  
To adjust the tilt function use M6 box wrench (E) on position 2.

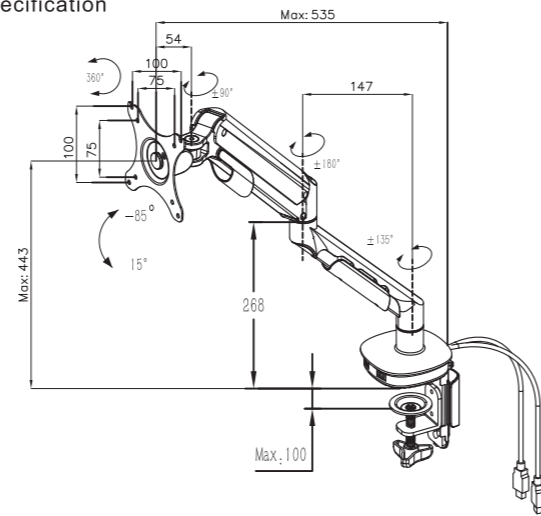


## STEP 5

Using cord management



### Specification



### CAUTION

This product contains small items that could be a choking hazard if swallowed. Keep these items away from young children.

- Make sure these instructions are read and completely understood before attempting installation. If you are unsure of any part of this installation, please contact a professional installer for assistance.
- The desk or mounting surface must be capable of supporting the combined weight of the mount and the display, otherwise the structure must be reinforced.
- Safety gear and proper tools must be used. A minimum of two people are required for this installation. Failure to use safety gear can result in property damage, serious injury or death.
- Check joint parts every two months, making sure the screws are tight.

This product was designed to be installed on a desk. Before installing, make sure the mount will support the combined load of the equipment and hardware. Never exceed the maximum load capacity (20 lb), or else it may result in product failure or personal injury.

Note: This product is intended for indoor use only. Use of this product outdoors could lead to product failure or personal injury.

**Warning:** This product contains high pressure gas spring parts, do not put it into fire, high temperature, or disassemble it, which could result in personal injury. Obsolete products can be sent back to the manufacturer or handed over to professional institutions.