



**GLOBALTM
INDUSTRIAL**

We can supply that.[®]

User's manual

Manual del usuario

Manuel de l'utilisateur

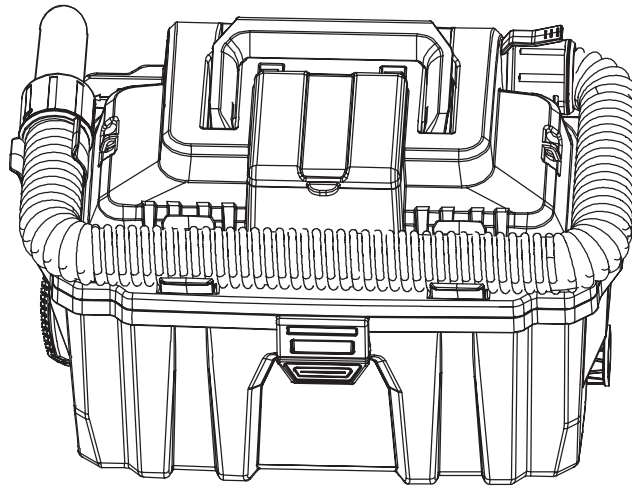
Customer Service
US: 1-800-645-2986

Servicio de atención al Cliente
US: 1-800-645-2986

Service à la clientèle
Canada: 888-645-2986

Cordless Wet/Dry Vacuum

Model(s): 641809



Specifications:

Battery Voltage (DC)	Battery Capacity	Charger Voltage (AC)	Charger Current	Charge Time	Tank Volume	IP Rating	Weight
20V	4.0Ah	120V	-	60 min	2.6 Gal	IP24	7 lb

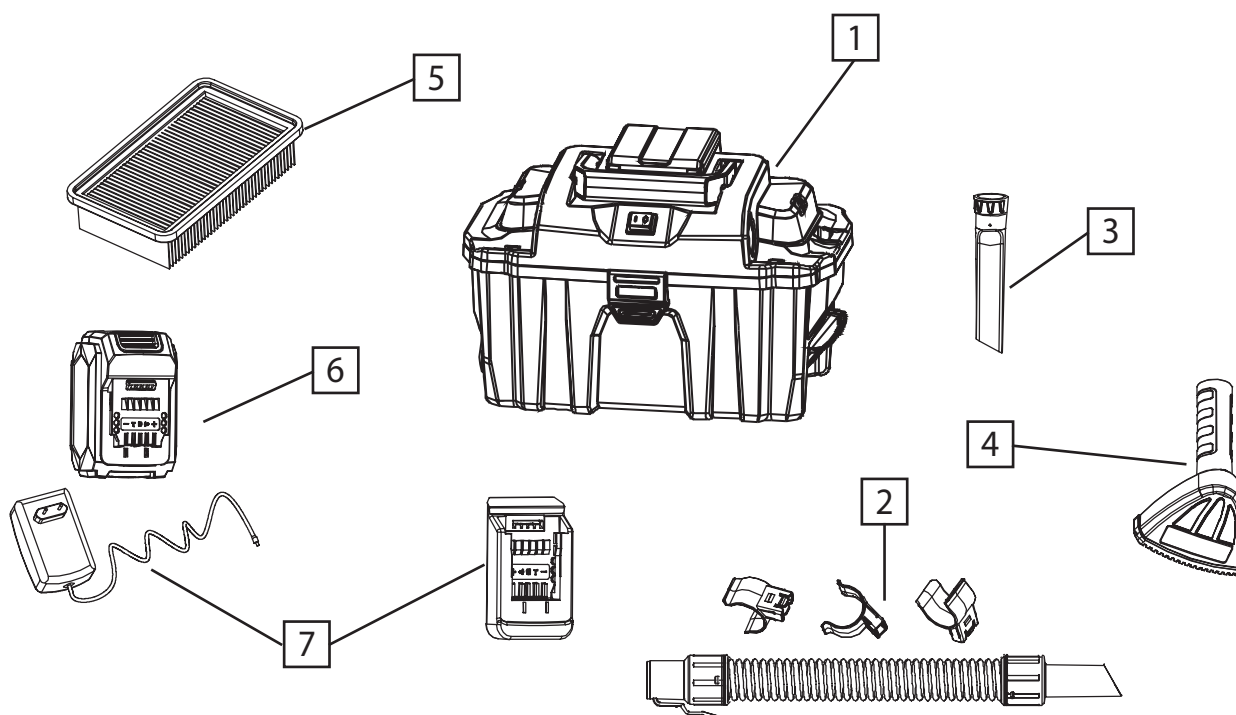
Cordless Wet/Dry Vacuum

SAFETY INSTRUCTIONS

1. Do not vacuum flammable liquids, gases, or other hazards.
2. Do not step on, kink, or cut the vacuum hoses. If the hoses are damaged or otherwise impaired, cease operation of the vacuum.
3. Regularly change filter and dust bag to prevent blockage or vacuum choking.
4. Cease operation of the vacuum in the event of a blockage. Running the vacuum for an extended duration when the hose is blocked may cause permanent damage.
5. Do not stick hands or any other body parts in the vacuum hose.
6. Do not operate the vacuum with an overfilled dust bag/tank.
7. Do not allow children to operate the vacuum.
8. Vacuum can be used to clean spills and fluids, but cannot be exposed to rain or wet conditions. Water entering a power tool will increase the risk of electric shock.
9. Grounded chargers must be plugged into an outlet properly installed and grounded in accordance with all local codes and ordinances. Never remove the grounding prong or modify the plug in any way. Do not use adapter plugs. Check with a qualified electrician if you are unsure if the outlet is properly grounded. If the tools should electrically malfunction, grounding provides a low resistance path to carry electricity away from the user.
10. Disconnect battery before making any adjustments, maintenance, or storing the machine.
11. Do not use vacuum if power switch does not work. Cease operation and repair switch or replace vacuum.
12. Do not use vacuum if battery is damaged. Cease operation and repair or replace battery.
13. Do not use third party or aftermarket accessories, they may impare operation of the sander or malfunction during normal use.
14. Maintain all labels and nameplates on the machine so that they are clearly visible and legible.

Cordless Wet/Dry Vacuum

PACKING LIST



CONTENTS		
Ref.	Qty.	Description
1	1	Vacuum Cleaner
2	1	Hose & Hose Clips
3	1	Dry Nozzle
4	1	Wet Nozzle
5	1	HEPA Filter
6	1	Battery
7	1	Battery Charger
8	1	Manual (not shown)

ASSEMBLY INSTRUCTIONS

1. Vacuum hose assembly components are stored in vacuum tank. Undo tank side clips to open vacuum cover and remove components.
2. Wet and dry nozzles are located in the sides of the vacuum tank
3. Place cover back on vacuum tank and insert hose clips.
4. Insert battery into battery compartment located in the vacuum cover.
5. See Operation Instructions for hose installation and removal.

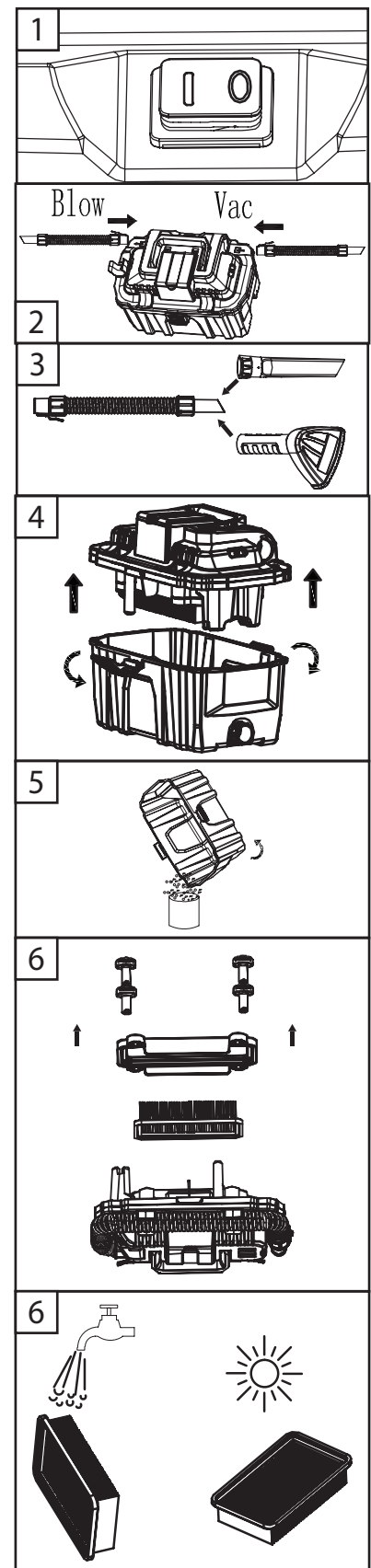
Cordless Wet/Dry Vacuum

OPERATION INSTRUCTIONS

1. To turn vacuum on or off, use the on/off switch located at the front of the vacuum cover. When turning vacuum on, make sure it is properly plugged in first while it is still off. Turn switch off before unplugging after finishing vacuuming, or when changing accessories.
2. To connect hose to vacuum, insert end of hose into inlet and rotate clockwise until locked. To remove, rotate counterclockwise and then pull.
3. To use the blower, turn the on/off switch off. Insert end of hose into air outlet, located in the left of the vacuum cover, then turn clockwise to tighten. Turn the switch on. **WEAR EYE PROTECTION AND A DUST MASK WHEN USING THE BLOWER.**
4. To connect wet/dry nozzle to hose, insert end of hose into brush outlet and rotate clockwise until tight. To remove, rotate counterclockwise and then pull.
5. Clean the vacuum tank after every use. To access the vacuum tank, remove the vacuum cover by opening the two side clamps and pulling the cover up and out of the tank. If contents of the tank are wet, clean and dry the tank after discarding contents.
6. Clean the HEPA filter after every use. To access the filter, remove the vacuum cover. Turn the filter locking knobs counterclockwise and remove the filter. Clean the filter under cold, running water. Do not use detergents or soaps to clean the filter.

⚠ WARNING

DO NOT use vacuum to suck or blow burning or flammable material or otherwise hazardous chemicals



Cordless Wet/Dry Vacuum

CHARGING INSTRUCTIONS

1. Slide battery pack onto charger upside down until it clicks in place.
2. Plug the charger into a wall outlet. The RED charge indicator LED should illuminate. Battery should reach full charge in approximately 60 minutes.
3. GREEN charge indicator LED should illuminate when battery is fully charged. Unplug the charger.
4. Press the release button on the battery and slide the battery out of the charger.

NOTE: the battery may have become hot during charging, allow the battery to return to room temperature before use.

NOTE: the battery ships partially charged to avoid deep discharge damage, however you still must fully charge the battery before your first use.

MAINTENANCE

1. Avoid using the vacuum for more than 20 minutes at a time.
2. Clean the filter and tank after every use. Do not run the vacuum with a dirty filter or full tank.
3. Dump any dirty water after vacuuming to prevent corrosion.
4. Dry all wet surfaces with a paper towel or dry cloth.
5. DO NOT vacuum for more than 20 minutes at a time, the battery will overheat.
6. Allow the battery to come down to room temperature before recharging

TROUBLE SHOOTING

PROBLEM	POSSIBLE CAUSE	CORRECTIVE ACTION
Motor won't start	Battery charge is low Battery is not properly inserted On/off switch is broken	Charge battery Remove and reinstall battery correctly Replace on/off switch
Reduced suction	Tank is full HEPA filter is clogged Blockage in nozzle or hose Battery charge is low	Empty and clean tank Clean/replace the filter Remove and clean nozzle/hose Charge battery
Motor stops when vacuuming	Battery charge is low	Charge battery
Battery pack fails to charge	Poor contact between battery and charger Battery is too hot	Remove and reinstall battery correctly Wait for battery to cool to room temperature before charging