



Refrigerated Countertop Display

User's manual

Manual del usuario

Manuel de l'utilisateur

Customer Service
US: 1-800-245-6682

Servicio de atención al Cliente
US: 1-800-245-6682

Service à la clientèle
Canada: 1-800-245-6682

Model: 243207, 243208



Please read this user manual thoroughly before using. Keep this manual handy for further reference. For questions, please contact NEXEL® Customer Service at 1-800-245-6682 or visit www.nexelwire.com

Model 243207 (4.2 Cubic Ft.)
Model 243208 (4.8 Cubic Ft.)

WARNING

1. Make sure all packaging is removed before operation.
2. Do not lean unit more than 45° while transporting, operating or servicing. Keep refrigerator in upright position for 2 hours before initial power-on.
3. The refrigerator should be installed in an area with good ventilation, that is cool and dry and without corrosive gases. It should not be installed close to heat sources or under direct sunlight. Leave a minimum of 4" between the wall and all sides of the freezer.
4. Install refrigerator on a flat and secure floor.
5. Do not use an extension cord and never let the refrigerator share a common socket with other appliances.
6. Do not place or store heavy items on the top of the refrigerator.
7. Never store flammable, explosive or corrosive products in the refrigerator, and keep the refrigerator away from such materials.
8. If power is cut off, wait at least 5 minutes before turning on again to avoid damage to the compressor.
9. Do not use if power cord is broken or damaged. Always remove power cord by pulling from the plug and not the cable.
10. Do not submerge in water. Periodically wipe the inside and all surfaces of the refrigerator with a soft cloth with neutral soap or detergent.
11. Do not store medicine in this refrigerator.

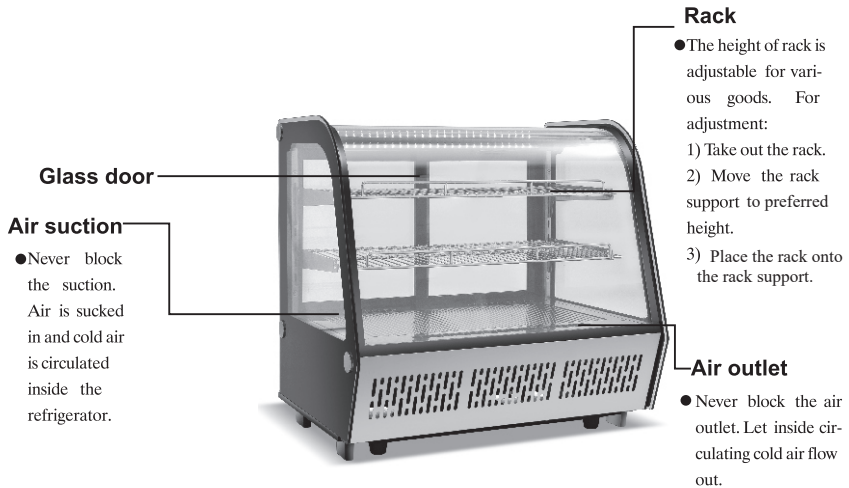


Attention: To ensure safety, the power plug must be pulled out before cleaning or servicing. All safety precautions must be followed. Dispose of properly in accordance with Federal or local regulations. Risk of fire or explosion due to puncture of refrigerant tubing. Follow handling instructions carefully.



DANGER: Risk of fire or explosion. Flammable refrigerant R290 used. To be repaired only by trained service personnel. Do not use mechanical devices to defrost refrigerator. Do not puncture refrigerant tubing.

Structure and Parts



Use and Caution

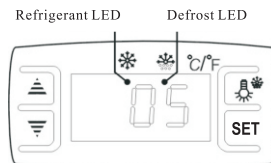
1. Before use:

Plug the refrigerator on a 110-120V~ exclusive socket.

Allow the refrigerator to run for several minutes, then test the air suction using your hand to confirm the unit is sufficiently cold. Then load the refrigerator with food/beverages.

This appliance is not intended for use by persons (including children) with reduced physical, sensory or mental capabilities, or lack of experience and knowledge, unless they have been given supervision or instruction concerning use of the appliance by a person responsible for their safety. Children should be supervised to ensure that they do not play with the appliance.

2. Digital Temperature controller:



Functions

- It is a mini-sized and integrated intelligent controller and applicable to the compressor of one Hp.
- The main functions are: Temperature Display/ Temperature control/Manual, automatic defrost by burning off/Illumination Control/Value Storing/self Testing/parameter Locking.

Front Panel Operation

1. Set temperature

Press **SET** button, the set temperature is displayed.

Press **▲** or **▼** button to modify and store the displayed value,

Press **SET** button to exit the adjustment and display the cold-room temperature.

2. If no more button is pressed within 10 seconds, the cold-room temperature will be displayed.

3. Illumination: Press **ON/OFF** button, it lights; Press again, it stops.

Manual start/stop defrost: Press **DEF** button and hold for 6 seconds to defrost or stop defrost.

4. Refrigerant LED: During refrigeration, the LED is on; When the cold room temp. is constant, the LED is off; During the delay start, the LED flashes.

5. Defrost LED: during defrosting, the LED is on; When it stops defrosting, the LED is off, During the delay display of defrost, the LED flashes.

6. Digital controller reset

When display shows "Disorder", press "**▼**" button for 2s until buzzer rings, quickly press "**▲**" button for 6s until buzzer rings again, the display will flash for 3s and it restores factory setting.

3. Cautions

If the supply cord is damaged, it must be replaced by the manufacturer, its service agent or similarly qualified persons in order to avoid a hazard.

Never block the air suction and outlet. Keep air circulation and refrigeration capability.

Do not make food congested as it will influence the cooling effect. Adjust the rack height for proper food storage.

Cool the hot food down to room temperature before you put it into the refrigerator.

Try to pull down the curtain and keep refrigerator inside cold in case the power is cut off.

Never touch compressor.

Do not store explosive substances such as aerosol cans with a flammable propellant in this appliance.

During normal operation, the emission noise level does not exceed 70dB(A).

The maximum loading of the Shelf does not exceed 40 lbs.

The climatic class of the appliance is 6, to be used in a suggested ambient temperature of 60° to 80°F (16° to 27°C).

To avoid damages or other problems, this product can not be put or stored with any corrosive food.

Specifications

Parameter	Model	243207	243208
Coolant and injection quantity(g)		R290(55)	R290(65)
General Rated input power(W)		230	250
Overall dimension (LxWxH)		27.6" x 22.4" x 27"	34.6" x 22.4" x 27"
Electric Shock Protection Class		1	1
Refrigeration temperature		32°-53.6°F (0°-12°C)	32°-53.6°F (0°-12°C)
Rated voltage(V)		110-120~	110-120~
Rated Frequency(Hz)		60	60
Rated Current(A)		2.7	3
Type of Climate		4	4
Net weight		126 lbs.	146 lbs.
Total effective volume		4.2 cubic ft.	4.8 cubic ft.

Maintenance

1. Notice

Often keep the refrigerator clean and periodical maintenance is necessary.

Always unplug the socket before maintenance.

Never use damaged plug or loose socket to prevent from electric shock or short circuit.

Never flush the refrigerator. Never use alkali detergent, soap, gasoline, acetone or brush.

2. Clean outside

Dip soft cloth in neutral detergent (tableware detergent) to clean the outside of the refrigerator and then wipe it with dry soft cloth.

3. Clean inside

Take rack out for cleaning with water.

Use soft cloth to wipe the box.

4. Shut down refrigerator for a long time

Take all food out and unplug the wall socket.

Clean both inside and outside of the refrigerator thoroughly and open the door for sufficient dry.

The glass breaks easily. Keep the glass far from children.

5. Replacement of lamp in the light box

If the LED lamp is damaged, it must be replaced by the manufacturer, its service agent.

Trouble Shooting

Trouble	Cause and Remedy
No refrigeration	Is the plug in socket well? Is the fuse broken? Is there no power?
Unsatisfactory refrigeration	Is it under direct sunlight/heat source nearby? Is the surrounding ventilation bad? Is the door closed properly or open for a long time? Is the door seal strip deformed or damaged? Is food congested or too much? Does food block the air suction or outlet? Regulate the temperature controller.
Much noise	The refrigerator does not level. The refrigerator contacts wall or other matter. There is loose part in refrigerator.
Contact local service agent for help if simple trouble shooting does not solve the problems.	

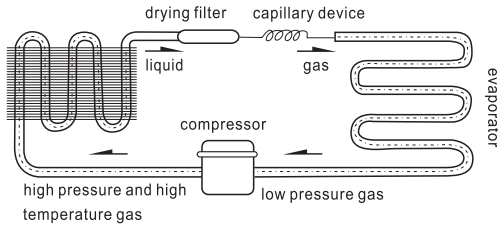
Note

The murmur of water is heard when the refrigerator is operating. This is a normal phenomenon as the coolant is circulating in the system.

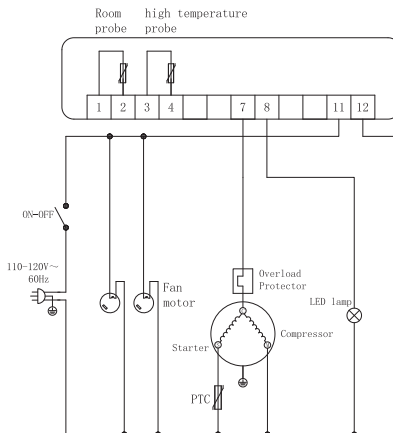
Condensation might be found on the outside of the refrigerator. This is caused by high humidity and is normal. Simply use a cloth to wipe it clean.

Principle of Refrigeration System

The principle of compression refrigeration consists of "compression", "condensation", "throttling" and "vaporization". The compression is undertaken by compressor, the condensation is completed by condenser, The throttling is executed by capillary and the vaporization is implemented by evaporator. When the coolant is circulating in the closed refrigeration system, the compressor sucks coolant, which has absorbed heat in evaporator, the coolant becomes a high pressure and high temperature gas. In condenser, it dissipates heat in air, while the coolant is re-liquefied and throttled in capillary and then enters into evaporator with low pressure. The liquefied coolant quickly boils and vaporizes into gas when the pressure suddenly drops. Meanwhile, it absorbs heat inside the refrigerator. And the compressor sucks the low pressure and low temperature gaseous coolant. It is circulating in this way up to realization of intended refrigeration.



Circuit Diagram





Do not dispose of electrical appliances as unsorted municipal waste, use separate collection facilities.

Contact you local government for information regarding the collection systems available.

If electrical appliances are disposed of in landfills or dumps, hazardous substances can leak into the groundwater and get into the food chain, damaging your health and well-being.

When replacing old appliances with new ones, the retailer is legally obligated to take back your old appliance for disposals at least free of charge.