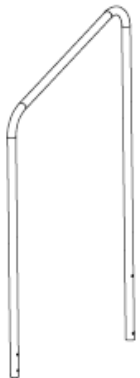


Assembly Instructions	Instrucciones de Ensamblaje	Directives d'assemblage
Customer Service US: 1-800-645-2986	Servicio de atención al Cliente México: 01.800.681.6940	Service à la clientèle Canada: 888-645-2986

## Chrome Handrail for Two-Step Foot Stool

Model RP9911 for assembly on Model 436961



Handle (1pc)



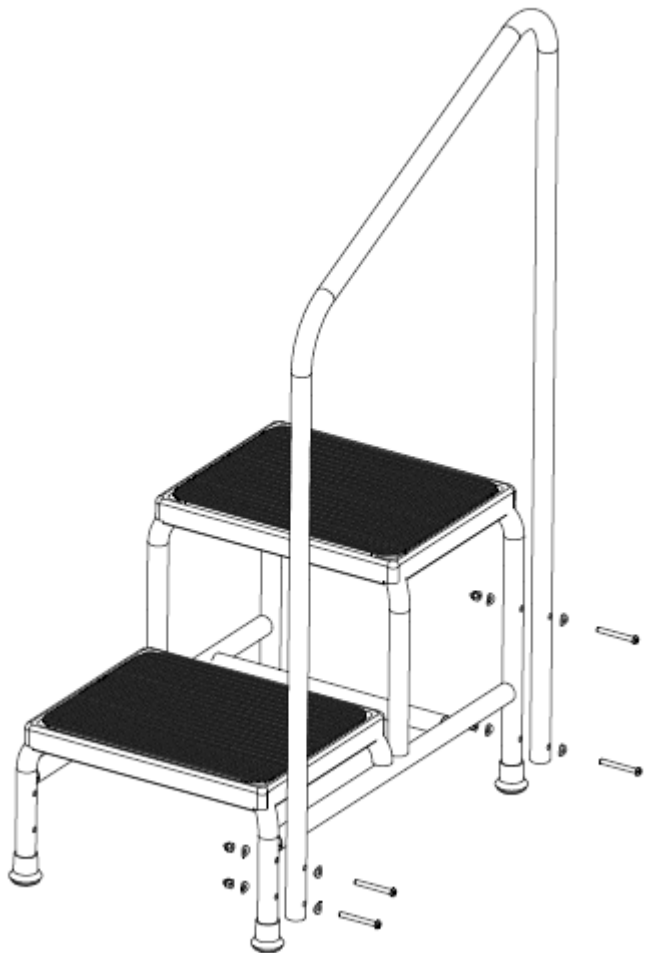
Nut (4pcs)



Washer (8pcs)



Screw (4pcs)



**NOTE: Tighten All Hardware Before Use**

**GLOBAL**<sup>®</sup> 1-800-645-1232  
globalindustrial.com

SECO Taiwan

20	21	22	23	24	1	2	3	4	5	6	7	8	9	10	11	12