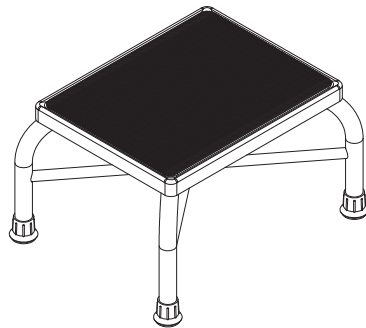


Assembly Instructions	Instrucciones de Ensamblaje	Directives d'assemblage
Customer Service US: 1-800-645-2986	Servicio de atención al Cliente México: 01.800.681.6940	Service à la clientèle Canada: 888-645-2986

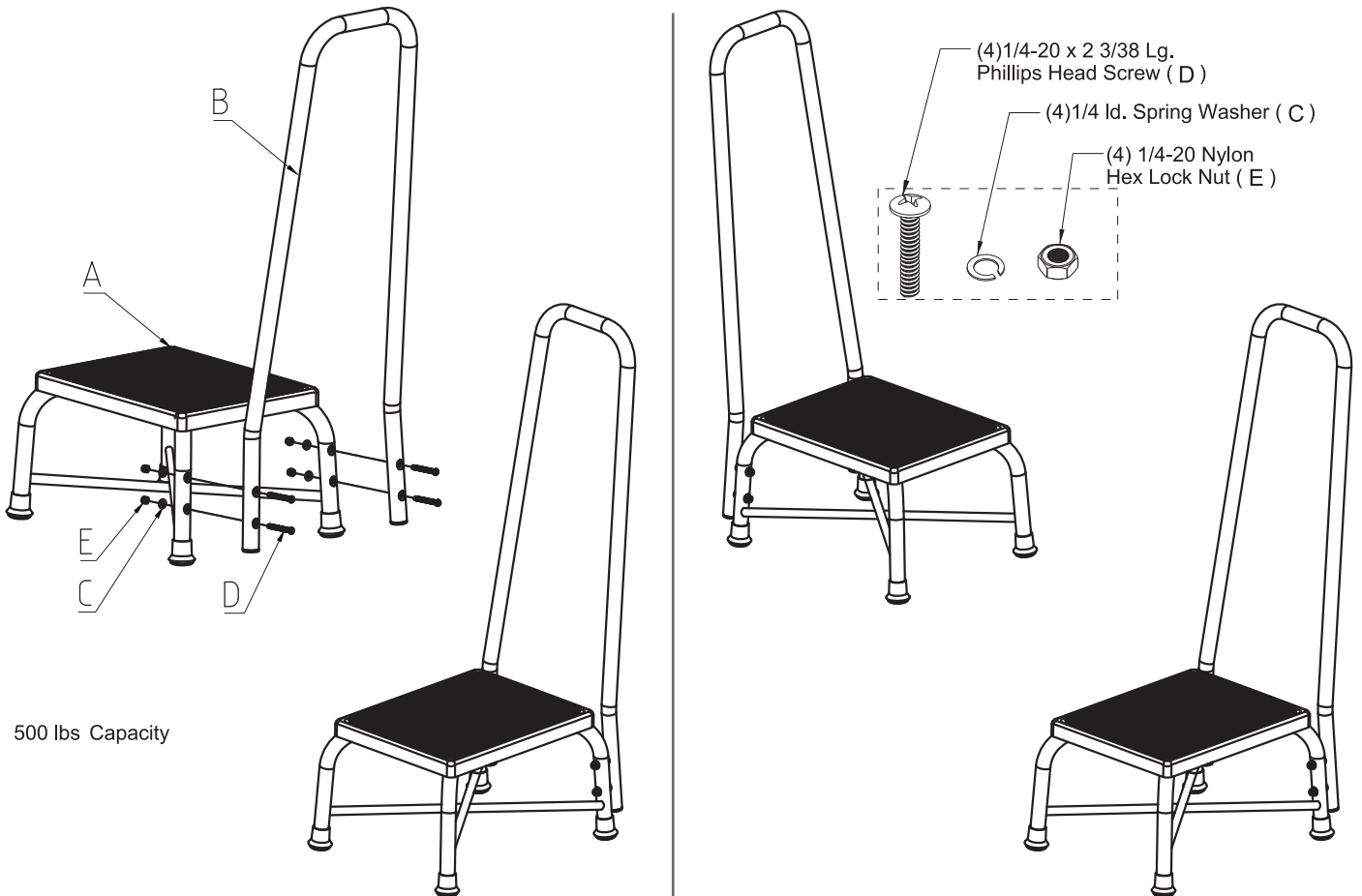
Medical Stools

Model 436956



500 lbs Capacity

Model 436957



500 lbs Capacity

NOTE: Tighten All Hardware Before Use